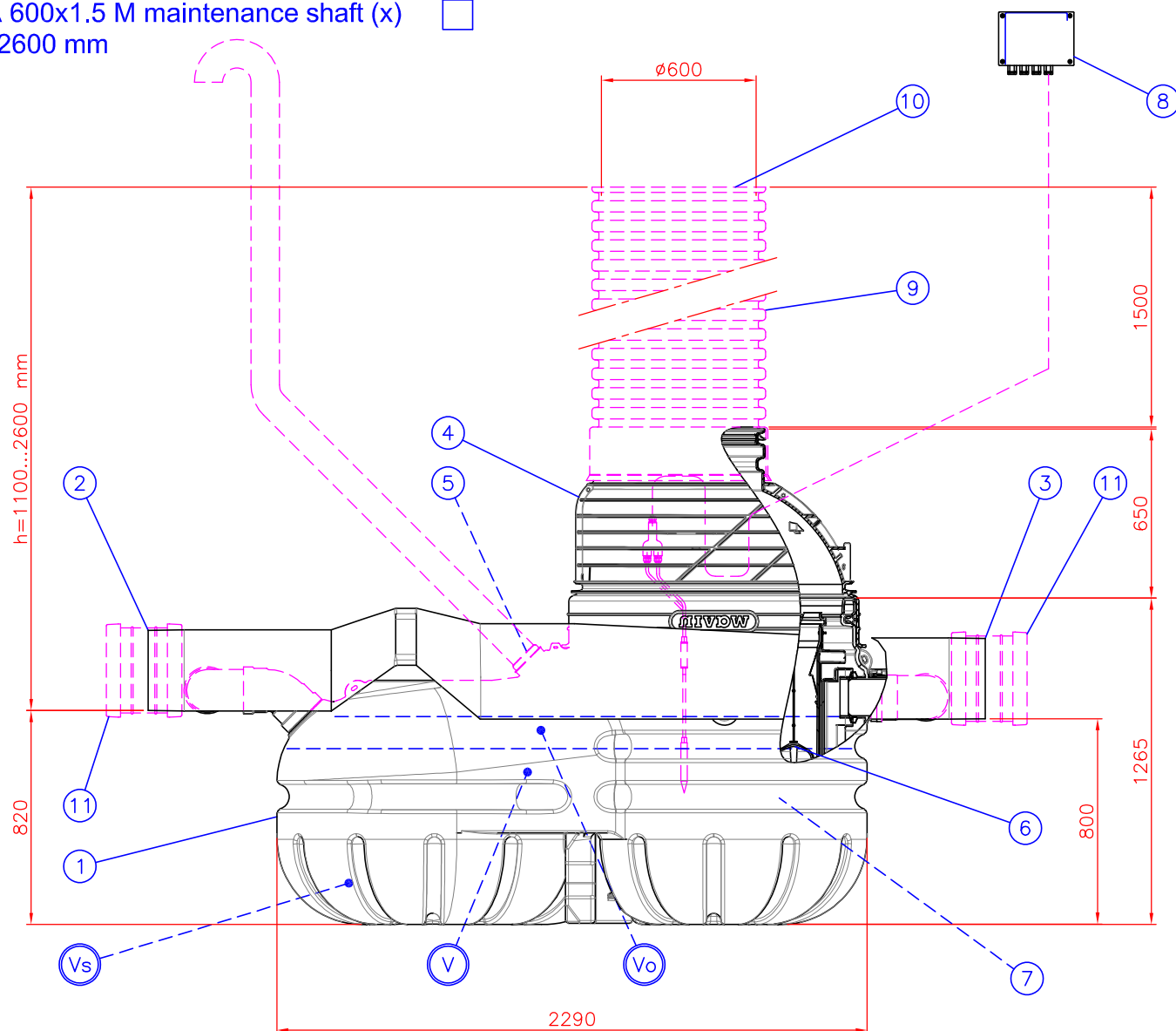
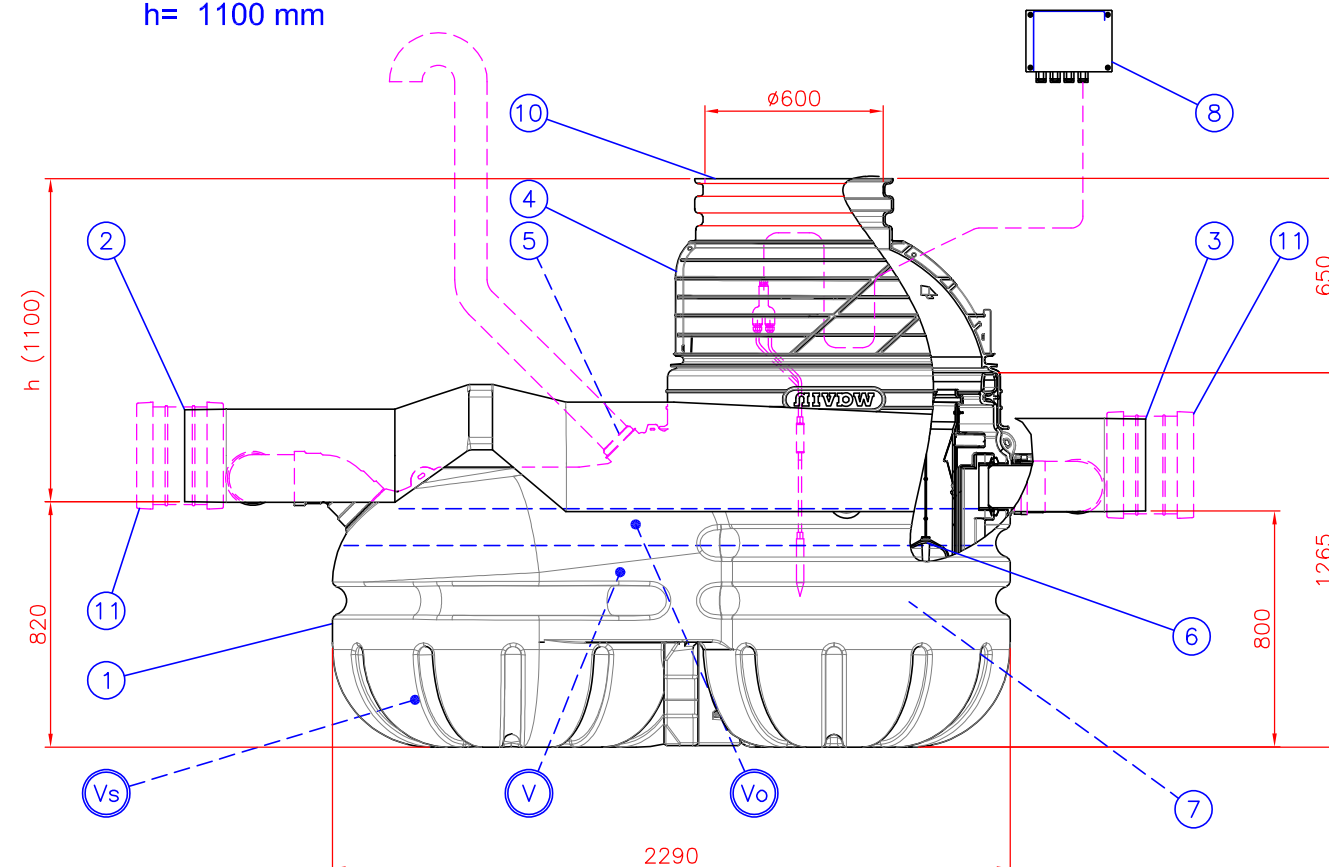


CERTARO NS6/600-30 BP sand and oil separator  
with TEGRA 600x1.5 M maintenance shaft (x)   
h= 1100 ... 2600 mm



CERTARO NS6/600-30 BP sand and oil separator  
without TEGRA 600x1.5 M maintenance shaft (x)   
h= 1100 mm



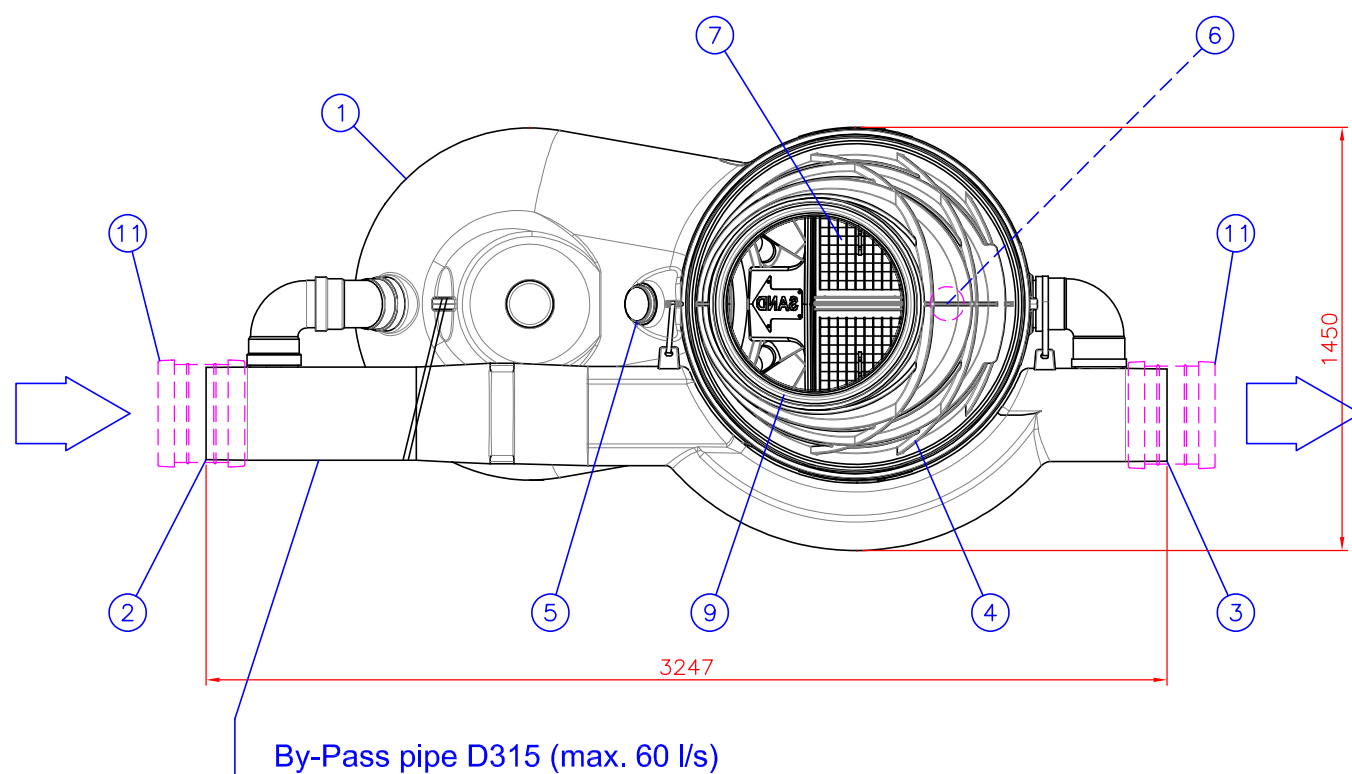
Maximum SLW60 (100kN/m<sup>2</sup>) traffic load if 1,0m hard surface coverage above inlet (water level).  
Maximum groundwater level 2,5m above bottom of tank.  
Max depth is 3,0m from cover down to inlet (water level).

Flow capacity By-Pass: 60 l/s (gradient maximum 6‰).


h = Installation height from ground surface

h = \_\_\_\_\_ (1200...3000 mm)

Weight 300 kg



11	ACCESSORY: Double socket D315, 2 pcs	(x)	<input type="checkbox"/>
10	ACCESSORY: Cover (as needed)		<input type="checkbox"/>
9	ACCESSORY: TEGRA 600 maintenance shaft with socket and 600 sealing ring	(x)	<input type="checkbox"/>
8	Alarm system (central unit with oil surface and blockage detection probes)		<input type="checkbox"/>
7	Coalescence filter unit		2
6	Automatic closure device	D160 (0.85–0.9g/cm <sup>3</sup> )	1
5	Ventilation outlet	D110	1
4	TEGRA 1000/600 cone	D1100/600 H=650 mm	1
3	Outlet sewer (By-pass pipe)	D315 spigot	1
2	Inlet sewer (By-pass pipe)	D315 spigot	1
1	CERTARO NS6/600 sand and oil separator	Length of tank: 2290 Inlet/Outlet D160 Material PE-MD, pH 3–10/Heat endurance max. 50°C	Height of tank: 1265 Width of tank: 1450
V	Total (wet) volume	1404 l	
Vo	Oil storage in filter box: 64.2 liter and in total:	290 l	
Vs	Sludge volume	600 l	

Title: CERTARO NS6/600-30 BP sand and oil separator (3031090)		Drawing type CUSTOMER DRAWING		
Design by: AL/HT/JS	Approved by: TaP 23.04.18	Drawing no. 23KB10ar	Date: 23.04.2018	Scale:
Construction site:		 Wavin Sweden Kjulamon 6 SE-63506 ESKILSTUNA www.wavin.se wavin.se@wavin.com +46 (0) 16 - 541 0000		

This drawing and the technical information included in the drawing are property of Wavin-Labko.  
All the national regulations concerning this product have to be checked before purchase of the product.  
Installation have to be done according to installation manual.