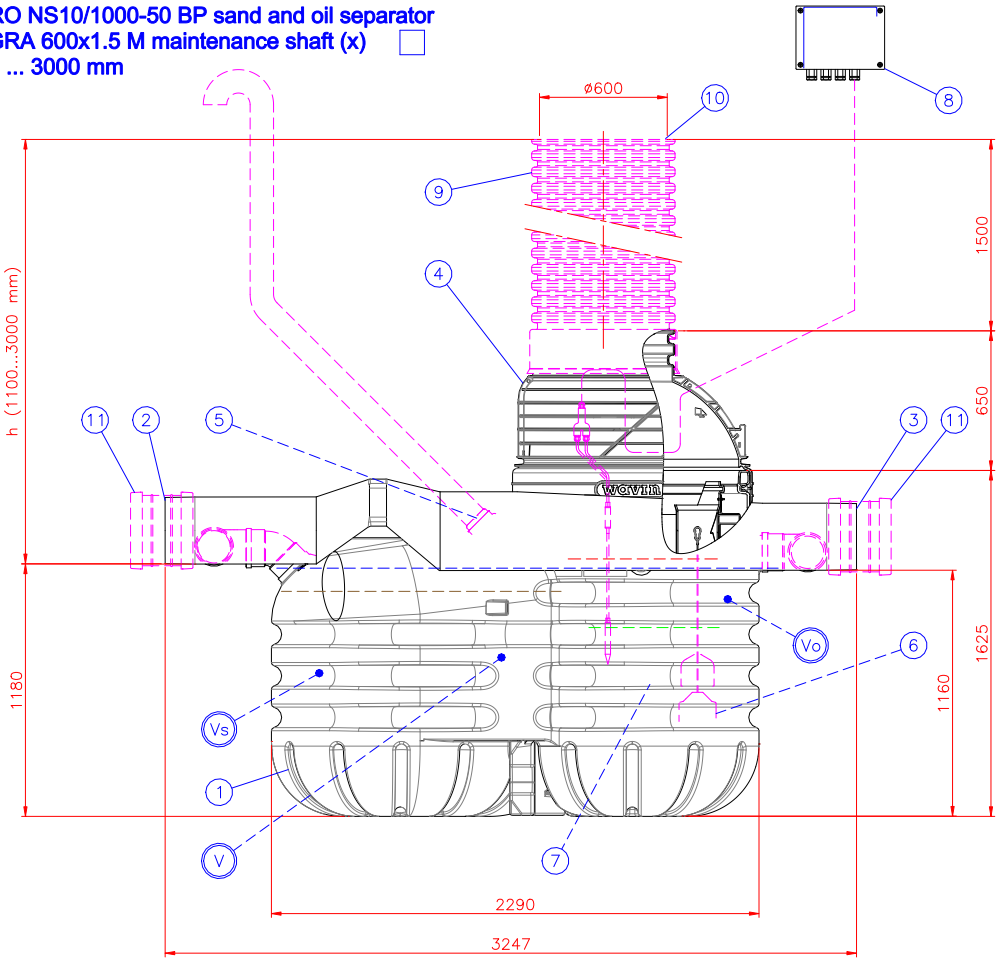
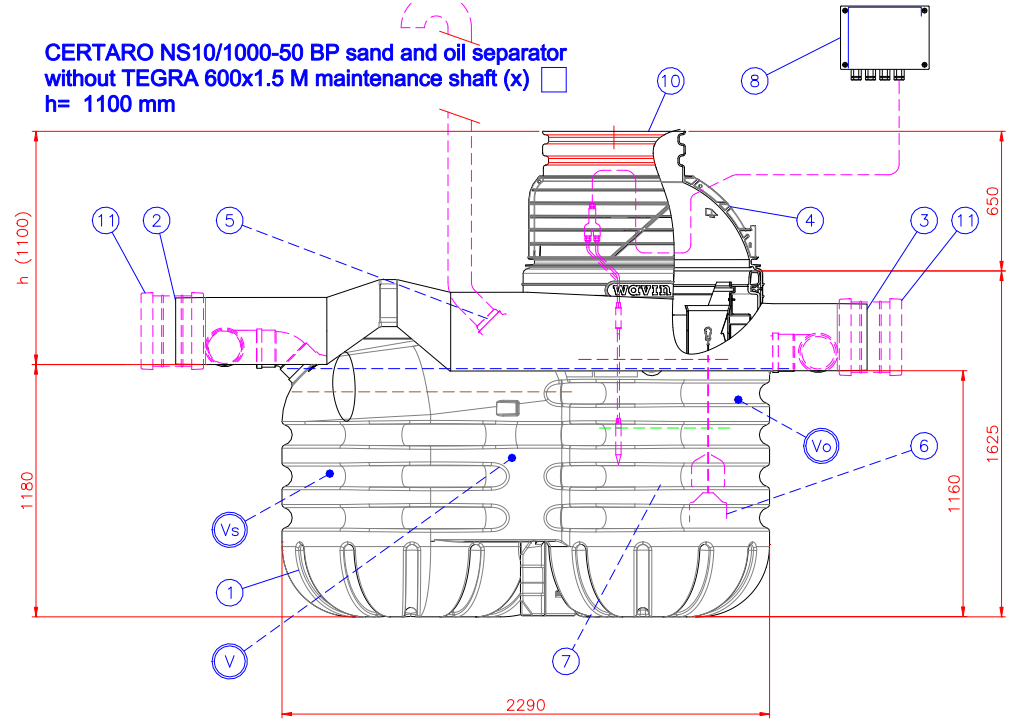


CERTARO NS10/1000-50 BP sand and oil separator with TEGRA 600x1.5 M maintenance shaft (x)
h= 1100 ... 3000 mm



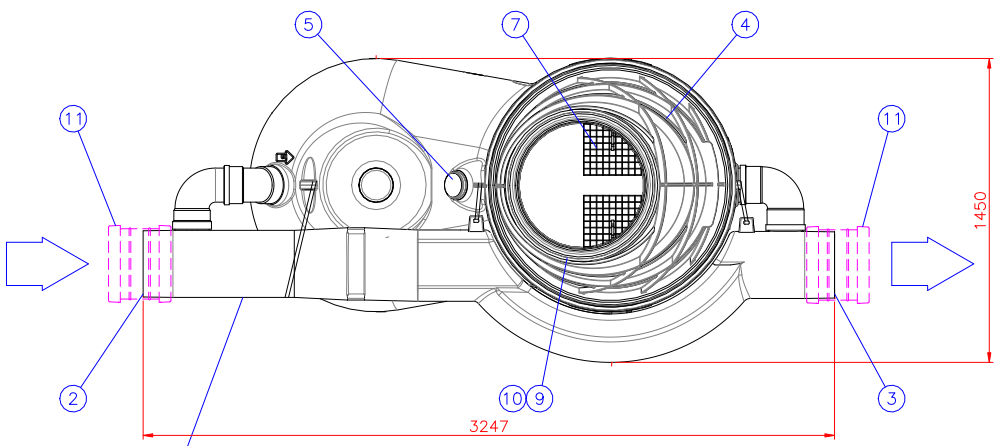
CERTARO NS10/1000-50 BP sand and oil separator without TEGRA 600x1.5 M maintenance shaft (x)
h= 1100 mm



**Maximum SLW60 (100kN/m²) traffic load if 1,0m hard surface coverage above inlet (water level).
 Maximum groundwater level 2,5m above bottom of tank.
 Maximum depth is 3,0m from cover down to inlet (water level).**

Flow capacity By-Pass: 50 - 100 l/s (gradient maximum 6%).

Weight 340 kg



By-Pass pipe D315 Spigot (50-100 l/s)

h = Installation height from ground surface
h = _____ (1100 - 3000 mm)

11	ACCESSORY: Double socket D315, 2 pcs	(x) <input type="checkbox"/>
10	ACCESSORY: Cover (as needed)	(x) <input type="checkbox"/>
9	ACCESSORY: TEGRA 600 maintenance shaft with socket and 600 sealing ring	(x) <input type="checkbox"/>
8	Alarm system (central unit with oil surface and blockage detection probes)	
7	Coalescence filter unit	2
6	Automatic closure device	D160 (0.85-0.9g/cm ³) 1
5	Ventilation outlet	D110 1
4	TEGRA 1000/600 cone	D1100/600 H=650 mm 1
3	Outlet sewer (By-pass pipe)	D315 spigot 1
2	Inlet sewer (By-pass pipe)	D315 spigot 1
1	CERTARO NS10/1000 sand and oil separator	1
Flow capacity class-1: 10 l/s		Length of tank: 2290
Inlet/Outlet D160		Height of tank: 1625
Material PE-MD, pH 3-10/Heat endurance max. 50°C		Width of tank: 1450
V	Total (wet) volume	2079 l
Vo	Oil storage in filter box: 140 liter and in total:	625 l
Vs	Sludge volume	1000 l

Title: CERTARO NS10/1000-50 BP sand and oil separator (3031096)		Drawing type: CUSTOMER DRAWING	
Design by: AL/JS	Approved by: TaP 26.04.18	Drawing no.: 23KB20ar	Date: 26.04.2018
Construction site:		Scale:	
		Wavin Sweden Kjulamön 6 SE-63006 ESKILSTUNA www.wavin.se wavin.se@wavin.com +46 (0) 16 - 541 0000	
		CONNECT TO BETTER	

This drawing and the technical information included in the drawing are property of Wavin-Labko. All the national regulations concerning this product have to be checked before purchase of the product. Installation have to be done according to installation manual.