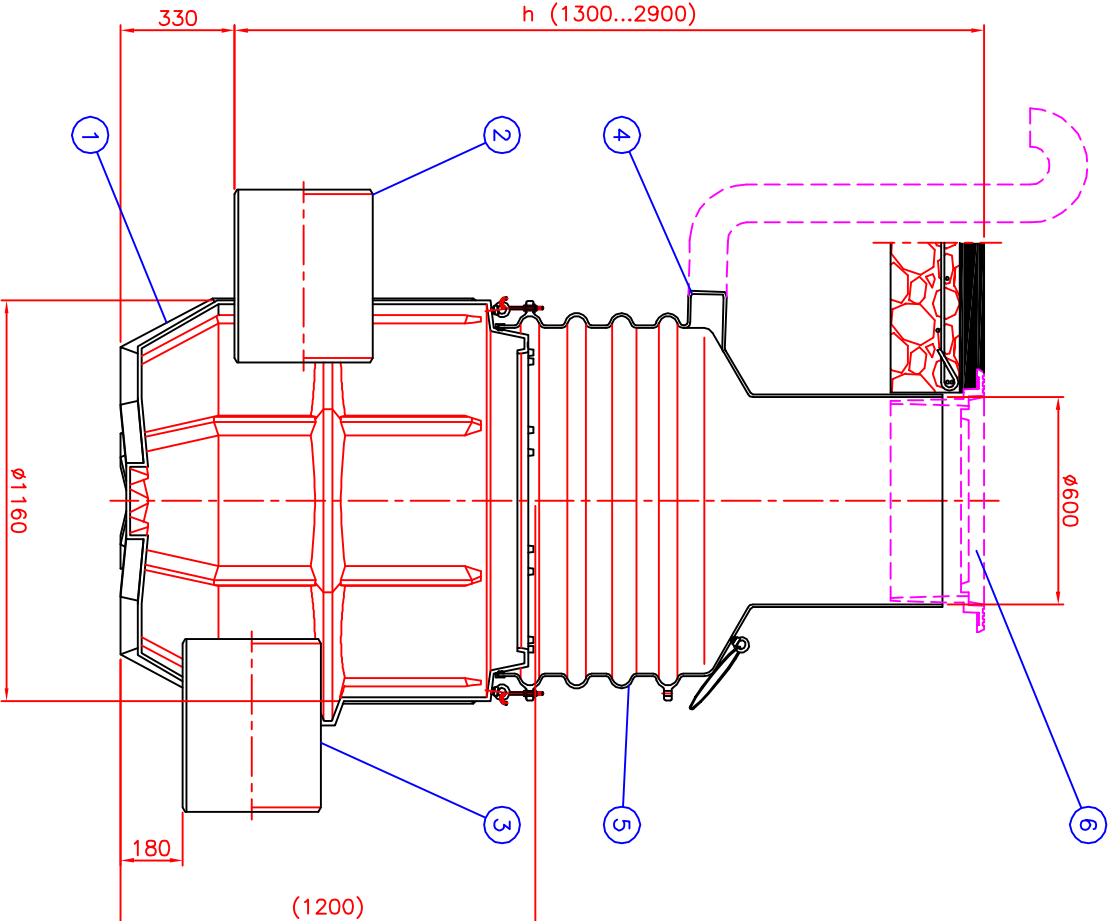


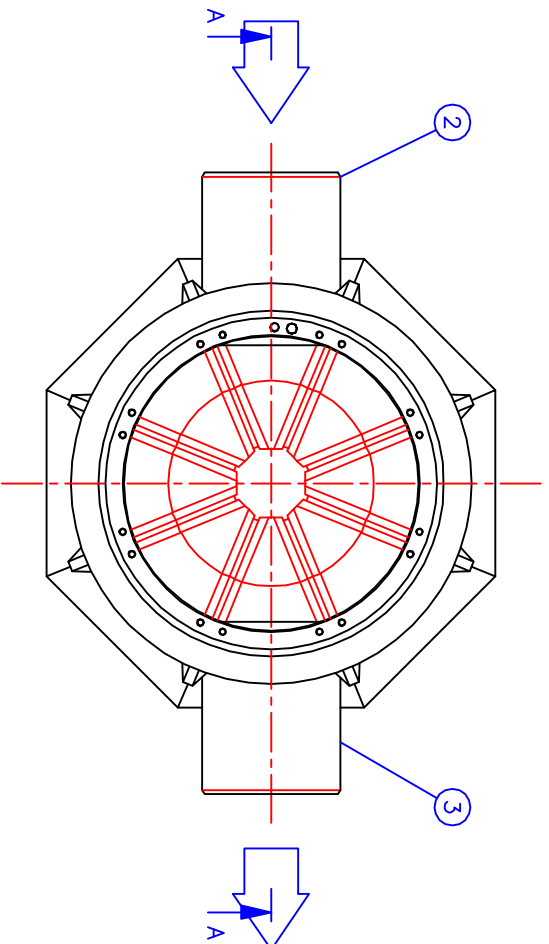
View A – A:



h = Well connection height from ground surface
 h = _____ mm (1300...2900 mm)

This drawing and the technical information included in the drawing are property of Wavin-Labbko. All the national regulations concerning this product have to be checked before purchase of the product. Installation have to be done according to installation manual.

Approved by customer: _____ / _____ 201_____



6	ACCESSORY: Floating adjustable cover ø600, Standard EN124				(1)
	Cover class A15 (1.5 tn) (x)	<input type="checkbox"/>			
	Cover class C250 (25 tn)	<input type="checkbox"/>			
	Cover class D400 (40 tn)	<input type="checkbox"/>			
	Frame	<input type="checkbox"/>			
5	EuroHUK 600 h9-13...h21-25 maintenance shaft (as needed), material: PE-MD				1
	h = Sampling shaft connection height from ground surface (max. 2900 mm)				
	EuroHUK 600 h 9-13 (x)	<input type="checkbox"/>	PE-MD	h=1300...1700 mm	
	EuroHUK 600 h13-17	<input type="checkbox"/>	PE-MD	h=1700...2100 mm	
	EuroHUK 600 h17-21	<input type="checkbox"/>	PE-MD	h=2100...2500 mm	
	EuroHUK 600 h21-25	<input type="checkbox"/>	PE-MD	h=2500...2900 mm	
4	Ventilation outlet (as needed)	<input type="checkbox"/>	PE	D110	1
3	Outlet sewer	<input type="checkbox"/>	PE-HD	D400	1
2	Inlet sewer	<input type="checkbox"/>	PE-HD	D400	1
1	Tank ø1160 H=1200 mm V=600 l	<input type="checkbox"/>	PE-MD	pH3-10/Heat endurance 50°C	1
Product:		Title:		Drawing type	
EuroNOK PE Nordic DN400 Sampling shaft		EuroNOK PE Nordic DN400 Sampling shaft		CUSTOMER DRAWING	
Design by:		Checked by:		Approved by:	
AL/TL		JP		12.06.12	
Drawing no.		Date:		Scale:	
40VB13_e		12.06.12			
Construction site:					



WAVIN-LABKO
 Labkote 1
 FIN-36240 KANGASALA
 FINLAND
 Tel. +358-(0)20-1285 200
 Fax +358-(0)20-1285 280
 www.wavin-labko.fi