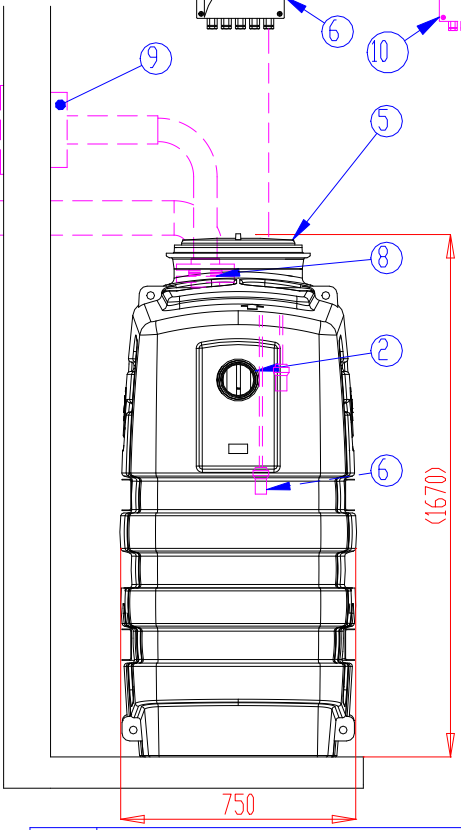


View B - B



EuroREK NS4 SL (EN1825)
grease separator (indoor installation,
on the floor)

Max. flow rate 4 l/s

| | | | | | |
|----|---|-------|------------------|-------|--------------------------|
| C | Grease storage capacity | | | 160 l | |
| B | Effective capacity | | | 900 l | |
| A | Sludge capacity | | | 400 l | |
| 11 | ACCESSORY: Washing nozzle (x) | | | | <input type="checkbox"/> |
| 10 | ACCESSORY: Labcom data transfer unit (x) | | | | <input type="checkbox"/> |
| 9 | ACCESSORY: Imubox quick coupling box (x) | | | | <input type="checkbox"/> |
| 8 | ACCESSORY: Emptying pipe with flange (DN80) (x) | | | | <input type="checkbox"/> |
| 7 | Sampling valve | | | | 1 |
| 6 | Grease alarm unit | | | | 1 |
| 5 | Lockable gas tight cover | PE-MD | D400 | | 1 |
| 4 | Ventilation outlet | PVC | D110 | | 1 |
| 3 | Outlet sewer | PE | D110 | | 1 |
| 2 | Inlet sewer | PVC | D110 | | 1 |
| 1 | Tank (pH3-10/Heat endurance max. 50°C) | PE-MD | 2070x750x1670 mm | | 1 |

| | | | | |
|---|----------------------------|----------------------|--------------------------------|------------------|
| Product: EuroREK NS4 SL grease separator (indoor) | | | Drawing type: CUSTOMER DRAWING | |
| Design by: AL/TL | Approved by: HT 08.07.2016 | Drawing no: 32FB03be | Date: 07.07.2016 | Scale (A4): 1:25 |

This Drawing and the technical information included in the drawing are property of Wavin-Labko Ltd. Authorities' regulations must be known before providing the product. Products must be installed according to installation instructions.



WAVIN
Labko

WAVIN-LABKO OY
Visiokatu 1
FIN-33720 Tampere
FINLAND
puh. +358 020 1285 200
fax. +358 0201285 280

Construction site:

