

Perfect for larger houses

With excellent energy and heat recovery performance this HRU400VL continuously ventilating, whole house heat recovery system has been independently tested by the BRE.

Combining extremely low power consumption and a premium quality heat exchanger, this unit enhances your buildings SAP performance, and yet remains versatile enough to function effectively in larger houses.

This unit offers a 100% heat exchanger summer bypass feature for the prevention of building over heating and is recognised and listed in the UK Product Characteristics Database (PCDB). It also includes intelligent humidity options and can be installed with the VCONT001 control system or the Sentio indoor climate control system.



Wavin Ventiza HRU400VL



Compatible with Wavin's
Sentio climate control system



Features & Benefits

- Low Specific Fan Power (SFP) down to 0.52 W/l/s
- High heat exchanger efficiency up to 91%
- Airflow up to 100l/s (400 m³/h) at 100 Pa
- EPP foam construction giving high levels of thermal insulation
- Accepts 150mm diameter ducting
- Lightweight foam construction provides easy handling
- Intelligent frost protection providing stepped reduction of supply air volume in cold conditions preventing heat exchanger from freezing up
- ISO Coarse 55% (G3) filters fitted as standard
- ISO Coarse 60% (G4) filter optional upgrade
- Fully adjustable boost overrun timer 0-60 minutes; can be used with nonlatching (momentary) switches to prevent being left in boost mode
- Vacation setback facility to reduce ventilation where regulations allow
- Intelligent Summer bypass and humidity controls
- Volt free switching control interface
- Quick fix mounting bracket
- IP32 ingress and electrical protection rating against water and dust
- Left and right handed models available
- Smart hot weather boosting facility to overcome over heating in dwellings
- BMS compatible via RS485
- Compatible with Wavin's Sentio climate control system

Product Information Guide

Wavin Ventiza

HRU400VL - Ultra energy efficient
Heat Recovery Ventilation unit

wavin

An Orbia business.

wavin

Wavin is part of Orbia, a community of companies working together to tackle some of the world's most complex challenges. We are bound by a common purpose: To Advance Life Around the World.

Orbia's Building and Infrastructure business Wavin is an innovative solutions provider for the global building and infrastructure industry. Backed by more than 60 years of product development experience, Wavin is advancing life around the world by building healthy, sustainable environments for global citizens. Whether it's to improve the distribution of clean drinking water, to make sanitation accessible for everyone, to create climate resilient cities, or to design comfortable living spaces, Wavin collaborates with municipal leaders, engineers, contractors, and installers to help future-proof communities, buildings and homes. Wavin has 12,000+ employees around 65 production sites worldwide, serving over 80 countries through a global sales and distribution network.

Wavin Limited | Edlington Lane | Doncaster | DN12 1BY
Tel. 0800 038 0088 | Internet www.wavin.co.uk | E-mail info@wavin.co.uk

© 2023 Wavin Wavin reserves the right to make alterations without prior notice. Due to continuous product development, changes in technical specifications may change. Installation must comply with the installation instructions.

August 2023

Wavin Ventiza - HRU400VL

Ultra energy efficient Heat Recovery Ventilation unit

Wavin Ventiza HRU400VL

Product Codes

HRU400VL (Left hand)
VCONT001 (Ventiza Controller)

Filters:

HRU400FILG3 – ISO Course 55% (G3) filters fitted as standard
HRU400FILG4 – ISO Course 60% (G4) optional upgrade



Standard:

Conforms to requirements of UK statutory Building Regulations and Technical Standards for Ventilation and BRE 398

Exceeds requirements of Building Regulations approved document L (England and Wales)

EU RoHS Directive Compliant

Conforms to requirements of EC council directives relating to Electromagnetic Compatibility and Electrical Safety: 2006/95/EC (LVD), 2004/108/EC (EMC)

EN60335-1:2002/A2:2006,
EN 60335-2-80:2003/A1:2004

CE Marked

Specification

Dimensions:

790mm wide x 663mm high (excluding ports)
x 484 deep (495mm with mounting brackets)

Weight:

17.5kg

Finish:

Black EPP Foam

Materials:

Housing:

Expanded Polypropylene (EPP)

Internals:

Expanded Polypropylene (EPP)

Heat exchanger:

Polystyrene

Internal Insulation:

Closed cell foamed Nitrile rubber, class '0' fire rating

Standard filters:

Grade ISO Coarse 55% (G3) pleated panel filters

Guarantee Period:

3 years (UK only)

Electrical:

230V ~ 50/60Hz, 3A fuse

Installation:

Install in accordance with regulatory requirements, such as the Domestic Ventilation Compliance Guide (England and Wales) and the Residential Ventilation Association recommendations

Maintenance:

Service and filter clean/replacement subject to local environment – see product manual

Acoustics:

Full acoustic data available online at www.wavin.co.uk

Performance

The figures and compliance levels below relate to current SAP requirements. Any future revisions to SAP guidance will have an effect on performance.

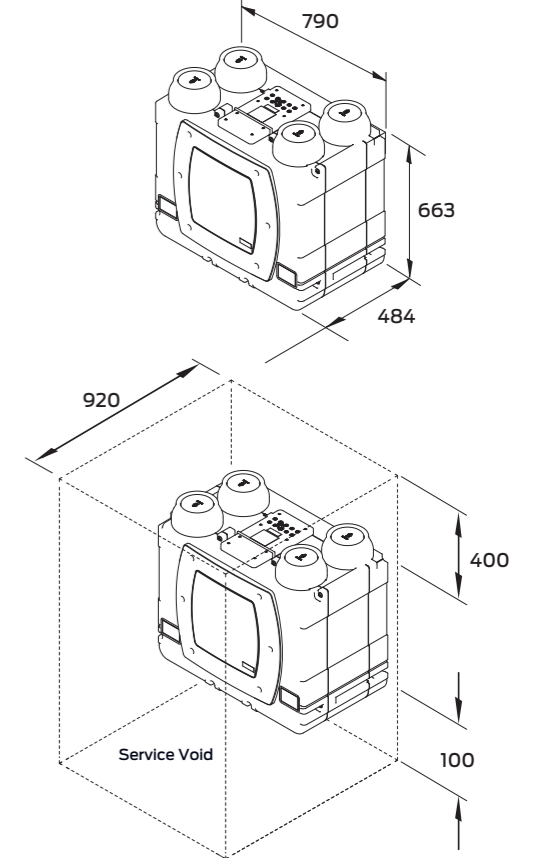
Exhaust terminal configuration*	Fan speed setting	SFP (W/l/s)	Heat exchange efficiency (%)	SFP (W/l/s)	Heat exchange efficiency (%)
		2009		2012	
Kitchen + 1 additional wet room	100% variable	0.57	91%	0.55	90%
Kitchen + 2 additional wet rooms	100% variable	0.52	90%	0.57	90%
Kitchen + 3 additional wet rooms	100% variable	0.53	90%	0.65	89%
Kitchen + 4 additional wet rooms	100% variable	0.59	89%	0.76	88%
Kitchen + 5 additional wet rooms	100% variable	0.65	89%	0.9	87%
Kitchen + 6 additional wet rooms	100% variable	0.74	88%	1.09	86%
Kitchen + 7 additional wet rooms	100% variable	0.88	87%	1.27	85%

Figures taken from the BRE Test Results

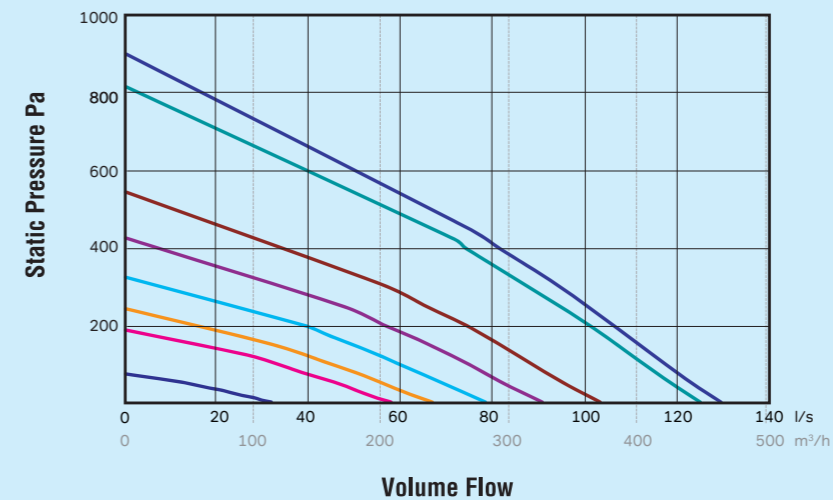
*Number of wet rooms is based on PCDB test criteria and may not correlate directly with regulatory performance requirements.

Drawing & Dimensions

Dimensions in mm



Nominal Fan Performance



Acoustic Data

Product	% of Max flow	Airflow	dB(A) @ 3m Hemispherical			dB(A) @ 3m Spherical
			Induct Inlet	Induct Outlet	Casing Breakout	
HRU400VL	41%	44l/s @ 22Pa	27	38	27	24
	69%	75l/s @ 51Pa	36	48	37	34
	100%	108l/s @ 100Pa	43	57	51	48