

Perfect for a wide range of dwellings with space constraints

Excellent performance with the horizontal HRU300H1/2 continuously ventilating, whole-house heat recovery system that has been independently tested by the BRE.

Ideal for flats and apartments due to its low profile ceiling mounting; combining extremely low power consumption and a high quality heat exchanger, this unit enhances your buildings SAP performance and yet remains versatile enough to function effectively in larger apartments as it does in smaller flats.

This unit offers a 100% heat exchanger summer bypass feature for the prevention of building over heating and is recognised and listed in the UK Product Characteristics Database (PCDB). They also include intelligent humidity options and can be installed with the VCONT001 control system or the Sentio indoor climate control system.



Wavin Ventiza HRU300H1/2



Compatible with Wavin's
Sentio climate control system



Features & Benefits

- Low Profile horizontal installation
- Low Specific Fan Power (SFP) down to 0.55W/l/s
- High heat exchanger efficiency up to 83%
- Airflow up to 83l/s (300 m³/h) at 100 Pa
- Accepts either 204mm x 60mm rectangular ducting or 150mm diameter ducting, no adaptors required
- Intelligent frost protection providing stepped reduction of supply air volume in cold conditions preventing heat exchanger from freezing up
- ISO Coarse 65% (G4) filters fitted as standard
- ISO ePM1 55% (F7) filter optional upgrade
- Duct pre-heater control (requires independent power supply)
- Fully adjustable boost overrun timer 0-60 minutes; can be used with nonlatching (momentary) switches to prevent being left in boost mode
- Setback facility to reduce ventilation where regulations allow
- Intelligent Summer bypass and humidity controls
- Volt free and Modbus switching control interface
- Smart hot weather boosting facility to overcome over heating in dwellings
- Compatible with Wavin's Sentio climate control system and BMS via RS485



Product Information Guide

Wavin Ventiza

HRU300H1/2 - Horizontal Mounted
Heat Recovery Ventilation unit

wavin

An Orbia business.

wavin

Wavin is part of Orbia, a community of companies working together to tackle some of the world's most complex challenges. We are bound by a common purpose: To Advance Life Around the World.

Orbia's Building and Infrastructure business Wavin is an innovative solutions provider for the global building and infrastructure industry. Backed by more than 60 years of product development experience, Wavin is advancing life around the world by building healthy, sustainable environments for global citizens. Whether it's to improve the distribution of clean drinking water, to make sanitation accessible for everyone, to create climate resilient cities, or to design comfortable living spaces, Wavin collaborates with municipal leaders, engineers, contractors, and installers to help future-proof communities, buildings and homes. Wavin has 12,000+ employees around 65 production sites worldwide, serving over 80 countries through a global sales and distribution network.

Wavin Limited | Edlington Lane | Doncaster | DN12 1BY
Tel. 0800 038 0088 | Internet www.wavin.co.uk | E-mail info@wavin.co.uk

© 2023 Wavin Wavin reserves the right to make alterations without prior notice. Due to continuous product development, changes in technical specifications may change. Installation must comply with the installation instructions.

August 2023

Wavin Ventiza - HRU300H1/2

Horizontal Mounted Heat Recovery Ventilation unit

Wavin Ventiza HRU300H1/2

Product Codes

HRU300H1 (150 dia spigots)
HRU300H2 (204 x 60 spigots)
VCONT 001 Ventiza Controller

Filters:

HRU300FILG4 – ISO Course 85% (G4) filters fitted as standard
HRU300FILF7 – ISO ePM1 55% (F7) optional upgrade



Standard:

Conforms to requirements of UK statutory Building Regulations and Technical Standards for Ventilation and BRE 398

Exceeds requirements of Building Regulations approved document L (England and Wales)

EU RoHS Directive Compliant

Conforms to requirements of EC council directives relating to Electromagnetic Compatibility and Electrical Safety:

2006/95/EC (LVD), 2004/108/EC (EMC)

EN60335-1:2002/A2:2006,
EN 60335-2-80:2003/A1:2004

CE Marked

Specification

Dimensions:

1004mm wide (excluding ports)
x 203mm high x 604mm deep

Weight:

32kg

Finish:

White paint

Materials:

Housing:

Zintec sheet steel housing, powder coated white

Internal Insulation:

Closed cell foamed Nitrile rubber, class 'O' fire rating

Heat exchanger:

Aluminium Standard filters: Grade ISO Coarse 85% (G4) pleated panel filters

Guarantee Period:

3 years (UK only)

Electrical:

230V ~ 50/60Hz, 3A fuse

Installation:

Install in accordance with regulatory requirements, such as the Domestic Ventilation Compliance Guide (England and Wales) and the Residential Ventilation Association recommendations

Maintenance:

Service and filter clean/replacement subject to local environment – see product manual

Acoustics:

Full acoustic data available online at www.wavin.co.uk

Performance

The figures and compliance levels below relate to current SAP requirements. Any Future revisions to SAP guidance will have an effect on performance.

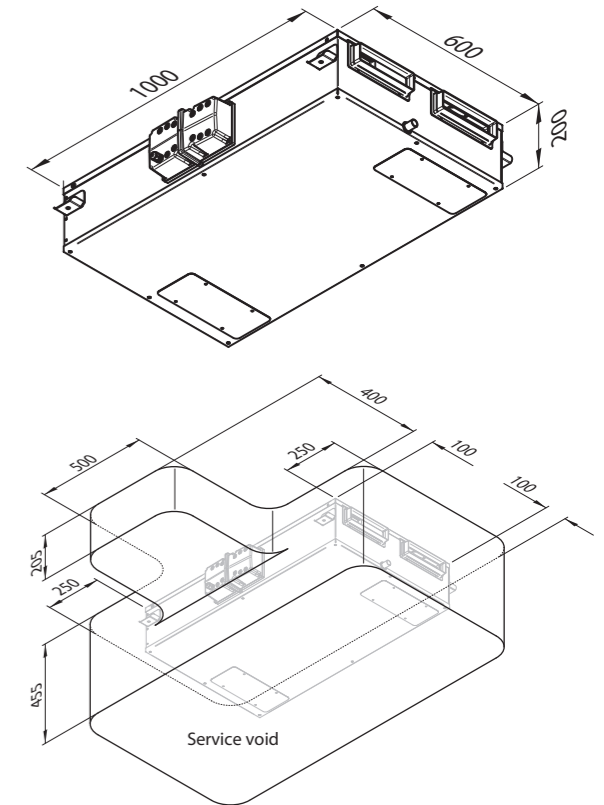
Exhaust terminal configuration*	Fan speed setting	SFP (W/l/s)	Heat exchange efficiency (%)	SFP (W/l/s)	Heat exchange efficiency (%)
		2009		2012	
Kitchen + 1 additional wet room	100% variable	0.58	83%	0.58	83%
Kitchen + 2 additional wet rooms	100% variable	0.55	83%	0.66	82%
Kitchen + 3 additional wet rooms	100% variable	0.61	82%	0.8	80%
Kitchen + 4 additional wet rooms	100% variable	0.72	81%	1.01	80%
Kitchen + 5 additional wet rooms	100% variable	0.85	80%	1.25	80%
Kitchen + 6 additional wet rooms	100% variable	0.99	80%	1.58	82%
Kitchen + 7 additional wet rooms	100% variable	1.2	80%	-	-

Figures taken from the BRE Test Results

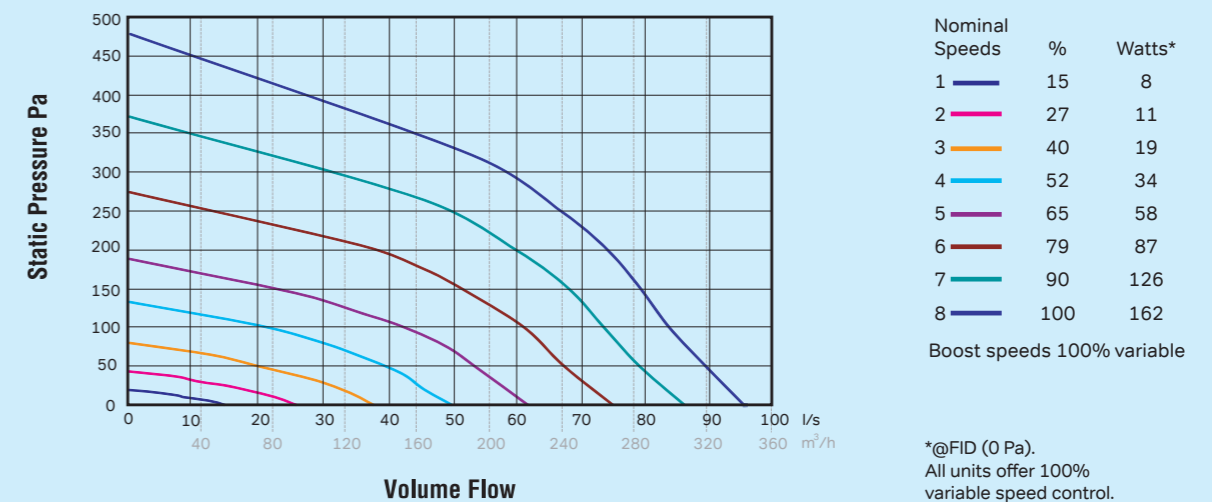
*Number of wet rooms is based on PCDB test criteria and does not correlate directly with regulatory performance requirements.

Drawing & Dimensions

Dimensions in mm



Nominal Fan Performance



Acoustic Data

Product	% of Max flow	Airflow	dB(A) @ 3m Hemispherical			dB(A) @ 3m Spherical
			Induct Inlet	Induct Outlet	Casing Breakout	Casing Breakout
HRU300H1/2	47%	39l/s @ 20Pa	25	37	25	22
	64%	53l/s @ 37Pa	30	21	31	28
	100%	83l/s @ 100Pa	39	54	41	38

All acoustic data is third party tested at Sound Research Laboratories (SRL) Ltd.