

# ASSORTMENT LIST

## SANITARY SYSTEMS



**TECE:**

Intelligente Haustechnik

# TECE International

## Austria

### TECE Österreich GmbH

Lichtäckerstraße 22  
A - 2522 Oberwaltersdorf  
Phone: +43 2253 211 78  
Fax: +43 2253 211 78 20  
info@tece.at  
www.tece.at

## Belarus

### IOOO TECE

Shchomyslitsa Soviet, Agogorodok,  
Ozertso, House 31, office 19  
BY - 223049 Minsk region  
Phone: +375 17 507 51 90  
Fax: +375 17 507 51 91  
info@teceby.com  
www.teceby.com

## Belgium

### TECE Belgium BVBA-SPRL

Kievitplein 20/C12  
B - 2018 Antwerpen  
Phone: +32 2 401 61 37  
Fax: +32 2 401 61 38  
info@tece.be  
www.tece.be

## China

### Suzhou TECE Plumbing Ltd.

Room G, Floor 7  
ShengQuan Business Center No. 28  
Tanjiadu Road, Putuo District  
CN - 200063 Shanghai  
Phone: +86 21 32555030  
Fax: +86 21 32555021  
info@tece.cn  
www.tece.cn

## Croatia

### TECE d.o.o.

Fallerovo šetalište 16  
HR - 10000 Zagreb  
Phone: +38 513 079 000  
Fax: +38 513 079 048  
info@tece.hr  
www.tece.hr

## Czech Republic

### TECE Česká republika, s.r.o.

Prosecká 852/66  
CZ - 190 00 Praha 9 - Prosek  
Phone: +420 266 107 226  
Fax: +420 266 107 228  
info@tece.cz  
www.tece.cz

## Estonia

### UAB TECE BALTIKUM Eesti filiaal

Mere pst. 8  
EST - 10111 Tallinn  
Phone: +372 6 781100  
info@tece.ee  
www.tece.ee

## France

### TECE France

5 rue Jean Rostand  
F - 69740 Genas  
Phone: +33 437 453 810  
Fax: +33 437 454 110  
info@tece.fr  
www.tece.fr

## Germany

### TECE GmbH

Hollefeldstr. 57  
D-48282 Emsdetten  
Phone: +49 2572 928 0  
Fax: +49 2572 928 124  
info@tece.de  
www.tece.de

## India

### TECE India Private Ltd.

G-3, Neel Madhav,  
Nr. Navneet Hospital,  
V.P. cross road, Mulund (west),  
IND - 400080 Mumbai Maharastra  
Phone: +91 (22) 21676755  
Fax: +91 (22) 21676707  
info@tece.in  
www.tece.in

## Italy

### TECE Italia s.r.l.

Via dell'Industria, 24 A  
I - 41051 Castelnuovo Rangone (MO)  
Phone: +39 0 595 334 011  
Fax: +39 0 595 334 010  
info@teceitalia.com  
www.tece.it

## Latvia

### UAB TECE Baltikum Latvia

Makusalas iela 41B-8  
LV - 1004 Ryga  
Phone: +371 67 21 18 02  
Fax: +371 67 21 18 05  
info@tece.lv  
www.tece.lv

## Lithuania

### UAB TECE Baltikum

Terminalo g. 10  
Biruliškių km. Kauno raj.  
LT - 54469 Lithuania  
Phone: +370 37 314 078  
Fax: +370 37 313 084  
info@tece.lt  
www.tece.lt

## Netherlands

### TECE Nederland GmbH

W.A. Scholtenweg 7 a  
NL - 9422 BR Smilde  
Phone: +31 592 415 074  
Fax: +31 592 414 628  
info@tece-nederland.nl  
www.tece-nederland.nl

## Norway

### PROBATA AS

Kveldroveien 19  
N - 1407 Vinterbro  
Phone: +47 66 82 33 00  
Fax: +47 66 82 33 30  
post@probata.no  
www.probata.no

## Poland

### TECE Sp. z o.o.

Wroclawska 61  
PL - 57-100 Strzelin  
Phone: +48 713 839 100  
Fax: +48 713 839 101  
tece@tece.pl  
www.tece.pl

## Romania

### TECE Romania SRL

Soseaua de Centura, No. 13a  
RO - 077040 Chiajna, Ilfov  
Phone: +40 21 203 47 08  
Fax: +40 31 030 47 10  
info@tece.ro  
www.tece.ro

## Russia

### OOO TECE Systems

Ul. Zentralnaja  
Goljevo - Ul. Centralnaja 3  
RUS - 143493 Moscow  
Phone: +7 495 988 07 94  
Fax: +7 495 988 07 95  
info@tece.ru  
www.tece.ru

## Spain

### TECE Haustechnik, S.L.

Enrique Mariñas, 28 bajo  
E - 15009 A Coruña  
Phone: +34 881 89 50 25  
Fax: +34 881 89 50 26  
info@tece.es  
www.tece.es

## Sweden

### Solpex AB

Kärrlyckegatan 24  
SE - 41878 Göteborg  
Phone: +46 317 61 05 00  
Fax: +46 317 61 05 01  
info@solpex.se  
www.solpex.se

## Switzerland

### TECE Schweiz AG

Gewerbestrasse 8  
CH - 8212 Neuhausen am Rheinfall  
Phone: +41 52 672 62 20  
Fax: +41 52 672 62 21  
info@tece.ch  
www.tece.ch

## Ukraine

### TOV TECE Ukraine

Williamsa Akademika str. 3/7, of.7  
UA - 03191 Kyiv  
Phone: +38 044 596 59 46  
Fax: +38 044 596 59 47  
info@tece.ua  
www.tece.ua

	Page
<b>Flushing Technology</b>	
<u>TECEprofil – the tried-and-tested pre-wall system with TECE flushing technology</u>	<b>5</b>
<u>TECEbox – the tried-and-tested technology for brick-wall construction</u>	<b>55</b>
<u>TECEbox 8 cm</u>	<b>67</b>
<u>TECE push plates – the collection for toilet and urinal</u>	<b>79</b>
<u>TECElux toilet terminal – the toilet of the future</u>	<b>113</b>
<b>Drain Technology</b>	
<u>TECEDrainline – the flush-level shower with a system</u>	<b>133</b>
<u>TECEDrainpoint S – the range of floor drains made of plastic</u>	<b>157</b>
<u>TECEDrainboard – the solid foundation for flush-level showers</u>	<b>179</b>
<u>Exhibits/Samples</u>	<b>189</b>
<u>Quick search for articles</u>	<b>199</b>



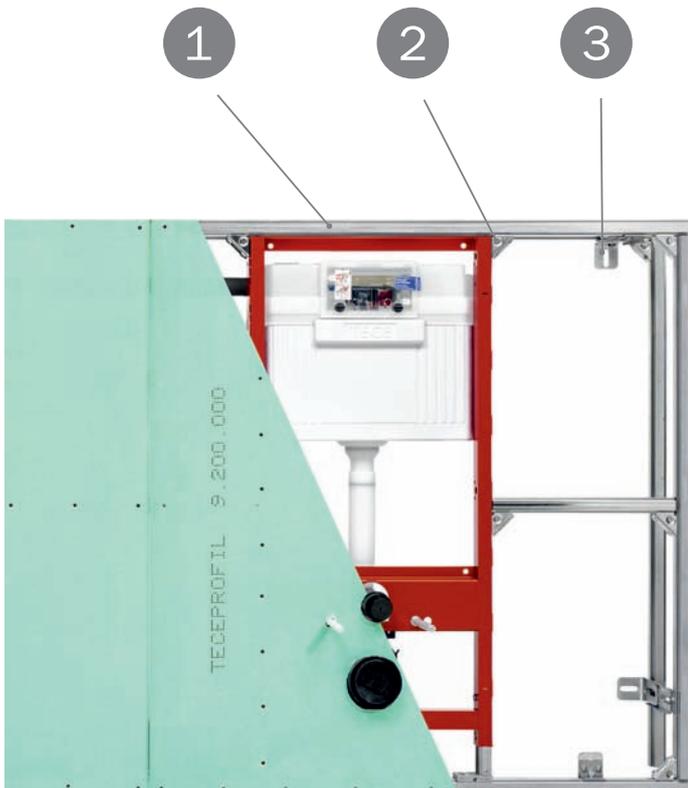


**TECEprofil – dry-wall construction  
Assortment List**

**TECE:**

Intelligente Haustechnik

# TECEprofil dry-wall construction



## TECEprofil – FAST INSTALLATION WITH JUST THREE COMPONENTS.

TECEprofil is a complete dry-wall construction system consisting of a supporting frame, sanitary installation modules and panel facing. With just three basic elements and requiring no special tools, assembling a stable pre-wall installation with TECEprofil is a breeze. The clear product range facilitates ordering and warehousing.





## TECEprofil BATHROOM DESIGN

With TECEprofil, the bathroom remains the fitter's trade, from planning through to the ready-to-tile surface. The planning of individual private bathrooms is just as easy as the industrial prefabrication of several units in the workshop, which pays off in particular in the renovation of units in which residents continue to live. The TECEplasorit software is a useful tool for planning and calculating TECEprofil pre-walls. With the easy-to-use program, the user can exploit all the advantages of the TECEprofil system.



## SOLUTIONS FOR A BARRIER-FREE BATHROOM

TECEprofil also offers solutions for a barrier-free bathroom. For example the Geronto module: Its modular principle enables the installation of most safety support arms from a variety of manufacturers. It is compatible with all the toilet electronics from TECE and meets the requirements of DIN 18 040 for barrier-free building.

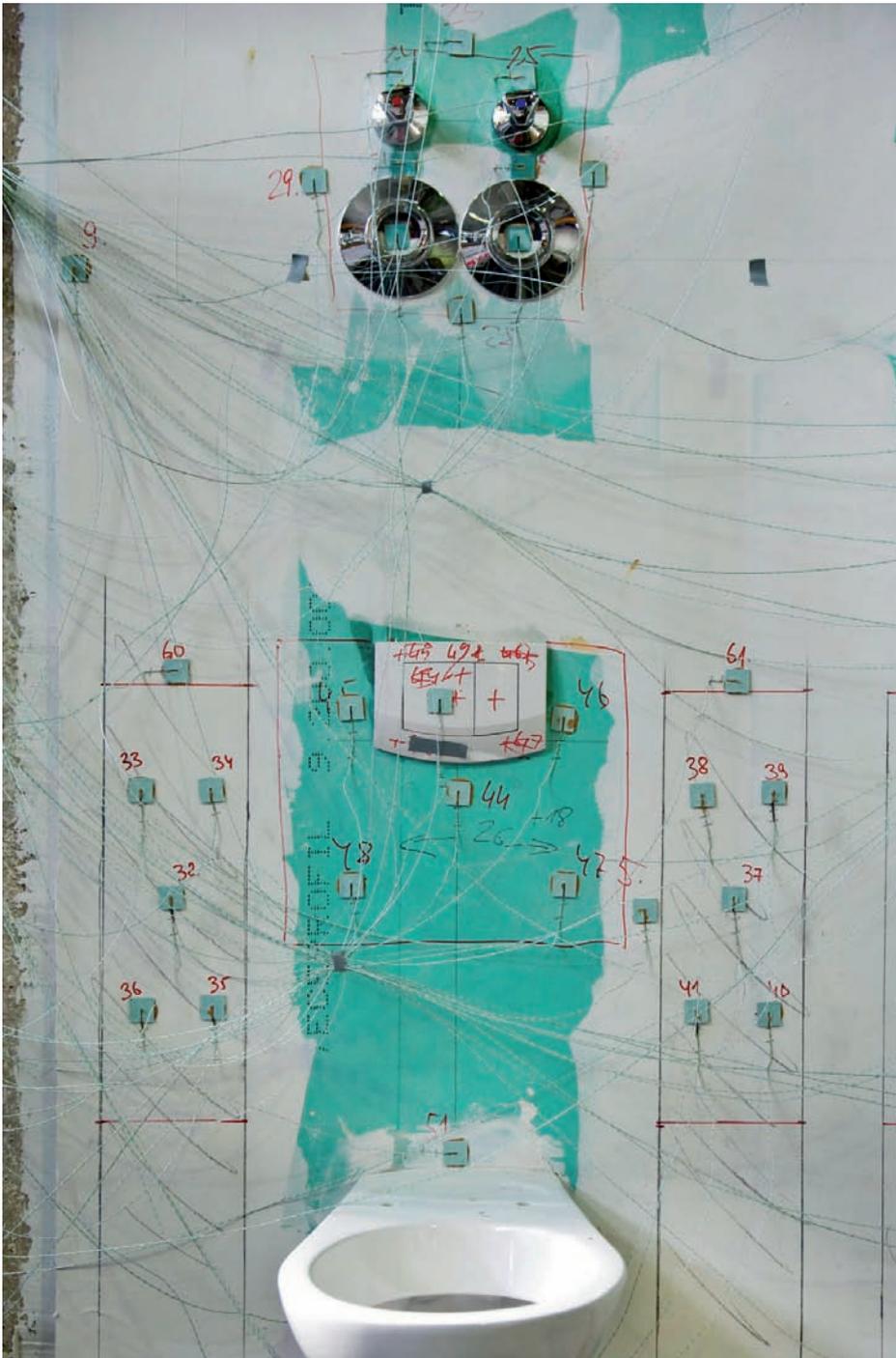


## SOLUTIONS FOR PUBLIC FACILITIES

For public facilities, TECEprofil also offers a wide variety of solution options that can be installed quickly and easily. The world of TECE flushing technology offers flush actuation series for the toilet and urinal with manual or electronic flush actuation.

## ALWAYS ON THE SAFE SIDE – FIRE PROTECTION AND SOUND INSULATION WITH TECEprofil

As test by the MPA (Materialprüfanstalt für das Bauwesen, Civil Engineering Materials Testing Institute) in Braunschweig showed that fire protection solutions with the TECEprofil pre-wall system can be created easily, economically and safely. Room partitions with sanitary installations from TECEprofil have been structurally tested and, depending on the design, can meet fire resistance classes from F 30 to F 120. For sound insulation, too, the TECEprofil pre-wall system meets even the high requirements of DIN 4109.



TECEprofil fire protection: Test setup at MPA in Braunschweig.

System for noise level measurement at the Fraunhofer Institute Stuttgart.





	Page
Basic components	10
Toilet module	11–17
Modules for shower toilet	18–19
Toilet connection units	20
Washstand modules	21–22
Washstand connection units	23–24
Urinal modules	25
Urinal connection units	26
Bidet/shower modules	27–28
Mounting connections	29–30
Safety support arms, mounting plates	31
Modular attachments.	32–33
Supporting framework accessories	34–36
Flushing accessories	37–38
Panel facing	39–40
Starter kit	41
Tool	42
Spare parts	43–53
Expert reports/certificates	54

Notes:

DU 1 = Minimum order quantity per item; sometimes it is not possible to order smaller quantities for technical reasons

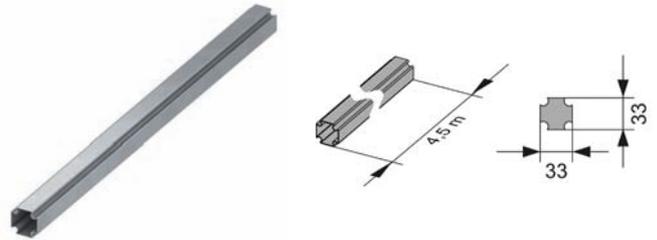
DU 2 = Euro-pallets for modules

# TECEprofil basic components

## TECEprofil section tube

To create a supporting framework to hold TECEprofil structural components. Made of rolled steel, welded and galvanised.

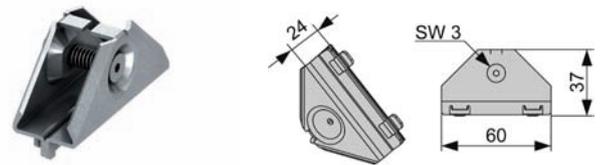
Order No.	DU 1	DU 2	DU 3
9 000 000	18 m	630 m	1890 m



## TECEprofil corner joint

To ensure a solid, right-angled connection with TECEprofil section tubes. Pre-assembled galvanised steel unit. M5 socket head screw (SW3) and compression spring.

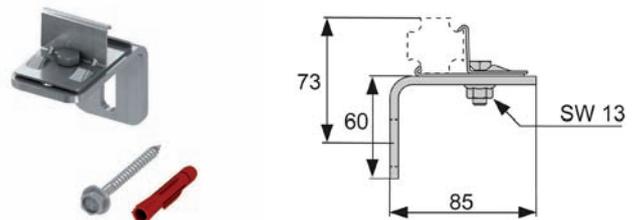
Order No.	DU 1	DU 2	DU 3
9 010 002	30 pcs.	240 pcs.	1440 pcs.



## TECEprofil angle bracket

To fix the TECEprofil section tubes to the structure. Pre-assembled unit made of galvanised steel including mounting material. Optional: TECEprofil sound insulation kit for angle bracket

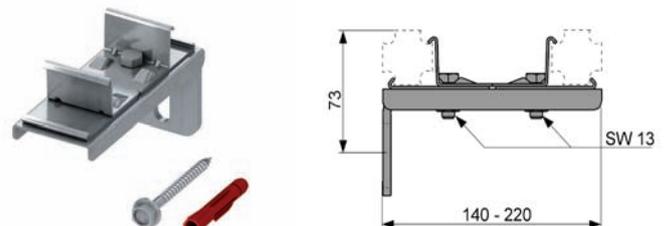
Order No.	DU 1	DU 2	DU 3
9 030 002	10 pcs.	60 pcs.	240 pcs.



## TECEprofil double joint

To mount two TECEprofil section tubes to the structure simultaneously. For supporting framework heights of 140 mm to 220 mm. Pre-assembled galvanised steel unit including mounting material. Optional: TECEprofil sound insulation kit for angle bracket

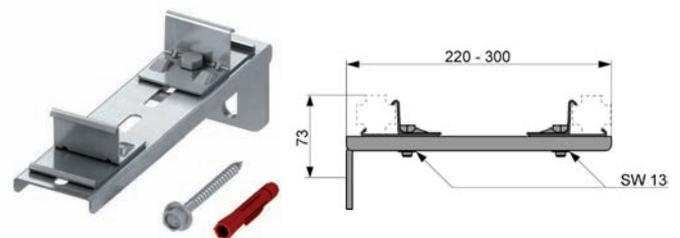
Order No.	DU 1	DU 2	DU 3
9 030 011	5 pcs.	15 pcs.	60 pcs.



## TECEprofil double joint, long version

To mount two TECEprofil section tubes to the structure simultaneously. For duct and supporting frame depths of 220 to 300 mm. Pre-assembled galvanised steel unit including mounting material. Optional: TECEprofil sound insulation kit for angle bracket

Order No.	DU 1	DU 2	DU 3
9 030 013	2 pcs.	10 pcs.	--



## TECEprofil sound insulation kit for angle bracket

For sound insulation of the angle brackets at the structural body

Order No.	DU 1	DU 2	DU 3
9 021 019	50 pcs.	100 pcs.	400 pcs.



## TECEprofil toilet module with TECE cistern front-actuated, installation height 1120 mm

For fitting to TECEprofil section tubes or for installation in metal or wooden post-and-beam walls and as a pre-wall or corner module; also suitable for single block assembly.

For toilet flush handle and TECE push plates.

Fully pre-assembled unit consisting of:

TECE flush-mounted cistern with front actuation:

- Safety tank made of impact-resistant plastic
- Cistern fully pre-assembled and sealed
- Corner valve and cistern connection pre-assembled, cistern connection with 1/2" female thread
- 10-litre tank volume;  
6-litre pre-set standard flush volume,  
4.5, 7.5, 9 litre flush volume can be optimally set at any time;  
3-litre partial-flush volume for dual flush technology.  
Residual volume available for immediate cleaning rinse.
- Insulated against condensation water
- Can be set as a single or dual-flush cistern depending on the push plate used.
- tested to DIN EN 14055
- Fitting group 1 in keeping with German standard DIN 4109 - test certificate P-IX3837/I
- Low-noise hydraulic filling valve  $\leq 17$  dB(A) at a flow pressure of 3 bar

Module consisting of:

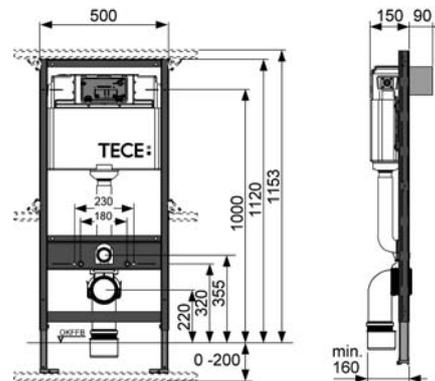
- Self-supporting assembly frame with powder-coated surface
- Two M 12 retaining bolts and M 12 nuts
- Toilet drain bend DN 90 with transition piece DN 90/100, material PP
- Transition piece also suitable for horizontal installation
- DN 90 toilet connection set, including protective plug

Heightened ceramic mounting for 48 cm seat height pursuant to DIN 1804 is possible. (DIN 18040; barrier-free construction - Part 1: Publicly accessible buildings and workplaces).

Please order separately:

- Toilet push plate (see TECE push plates)
- Fitting for individual pre-wall, corner or wooden post-and-beam structures

Note: If toilet ceramics with a reduced supporting surface are used (e.g. V & B Memento, Sentique, Subway 2.0), it is necessary to install steel brace set 9 041 029 in the lower build space.



Order No.	DU 1	DU 2	DU 3
9 300 000	1 pc.	10 pcs.	60 pcs.

# TECEprofil toilet modules

## TECEprofil toilet module with TECE cistern Front or top actuated, installation height 980 mm

For installation in a TECEprofil pre-wall or in front of a solid wall.

For toilet flush handle and TECE push plates.

Fully pre-assembled unit consisting of:

TECE flush-mounted cistern with front actuation:

- Safety tank made of impact-resistant plastic
- Cistern fully pre-assembled and sealed
- Corner valve and cistern connection pre-assembled, cistern connection with 1/2" female thread
- 10-litre tank volume; 6-litre pre-set standard flush volume, 4.5, 7.5, 9 litre flush volume can be optimally set at any time; 3-litre partial-flush volume for dual flush technology. Residual volume available for immediate cleaning rinse.
- Insulated against condensation water
- Can be set as a single or dual-flush cistern depending on the push plate used.
- tested to DIN EN 14055
- Fitting group 1 in keeping with German standard DIN 4109 - test certificate P-IX3837/1
- Low-noise hydraulic filling valve  $\leq 17$  dB(A) at a flow pressure of 3 bar

Module consisting of:

- Self-supporting assembly frame with powder-coated surface
- Two M 12 retaining bolts and M 12 nuts
- Two depth-adjustable modular attachments
- Toilet drain bend DN 90 with transition piece DN 90/100, material PP
- Transition piece also suitable for horizontal installation
- DN 90 toilet connection set, including protective plug

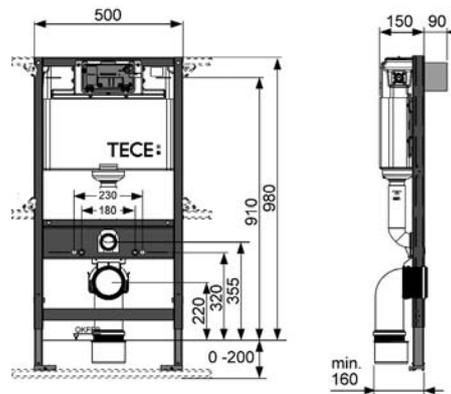
Please order separately:

- Toilet push plate (see TECE push plates)

Note: If toilet ceramics with a reduced supporting surface are used (e.g. V & B Memento, Sentique, Subway 2.0), it is necessary to install steel brace set 9 041 029 in the lower build space.

Caution:

If the push plate with front actuation is fitted and a compact ceramic system is used in case of cisterns with a low installation height, the toilet lid may occasionally drop down unintentionally. When using compact ceramic systems (e.g.: Ideal-Standard: San Remo slimline R 3493; V&B: Viala 765310, Viala 765210; Keramag: Renova-Comprimo 204550; Joly 203060) fit push plate with top actuation only.



Order No.	DU 1	DU 2	DU 3
9 300 022	1 pc.	10 pcs.	60 pcs.

## TECEprofil toilet module with TECE cistern, top or front actuation, installation height 820 mm

For fixing to TECEprofil section tubes or as a pre-wall or corner module.

For toilet flush handle and TECE push plates.

Fully pre-assembled unit consisting of:

TECE flush-mounted cistern for top or front actuation:

- Safety tank made of impact-resistant plastic
- Cistern fully pre-assembled and sealed.
- Corner valve and cistern connection pre-assembled
- Cistern connection with 1/2" female thread
- Hydraulically optimised cistern for low installation heights
- 10-litre tank volume; 6-litre pre-set standard flush volume, 4.5, 7.5, 9 litre flush volume can be optimally set at any time; 3-litre partial-flush volume for dual flush technology. Residual volume available for immediate cleaning rinse.
- Can be set as a single or dual-flush cistern depending on the push plate used
- Depending on assembly, it can be used for actuation from the top or front.
- tested to DIN EN 14055
- Fitting group 1 in keeping with German standard DIN 4109 - test certificate P-IX3837/I
- Low-noise hydraulic filling valve  $\leq 17$  dB(A) at a flow pressure of 3 bar.

Module consisting of:

- Self-supporting assembly frame with powder-coated surface
- Two M 12 retaining bolts and M 12 nuts
- Toilet drain bend DN 90 with transition piece DN 90/100, material PP
- Transition piece also suitable for horizontal installation
- DN 90 toilet connection set, including protective plug
- Two depth-adjustable modular attachments

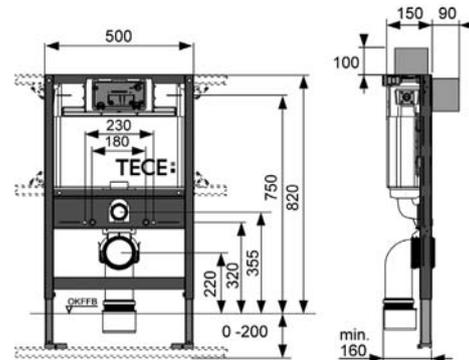
Please order separately:

- Toilet push plate (see TECE push plates)

Note: If toilet ceramics with a reduced supporting surface are used (e.g. V & B Memento, Sentique, Subway 2.0), it is necessary to install steel brace set 9 041 029 in the lower build space.

Caution:

If the push plate with front actuation is fitted and a compact ceramic system is used in case of cisterns with a low installation height, the toilet lid may occasionally drop down unintentionally. When using compact ceramic systems (e.g.: Ideal-Standard: San Remo slimline R 3493; V&B: Viala 765310, Viala 765210; Keramag: Renova-Comprimo 204550; Joly 203060) fit push plate with top actuation only.



Order No.	DU 1	DU 2	DU 3
9 300 001	1 pc.	10 pcs.	60 pcs.

# TECEprofil toilet modules

**TECEprofil C Geronto module as a modular system, with TECE cistern; front actuation, ceramic mounting for seat height of 48 cm in keeping with German standard DIN 18040-1, installation height 1120 mm**

For the installation to TECEprofil section tubes or to flush-mounted profile walls or in front of a solid wall. Toilet module for barrier-free construction with raised ceramic mounting. Module with lateral steel frames and conduits for cable laying. Incl. mounting material.

**Safety support arm height = 760 mm**

Suitable for all TECE push plates, toilet electronics and toilet flush handles.

Partly assembled unit consisting of:

TECE flush-mounted cistern with front actuation:

- Safety tank made of impact-resistant plastic
- Cistern fully pre-assembled and sealed
- Corner valve and cistern connection pre-assembled. Cistern connection with 1/2" female thread
- 10-litre tank volume; 6-litre pre-set standard flush volume, 4.5, 7.5, 9 litre flush volume can be optimally set at any time; 3-litre partial-flush volume for dual flush technology. Residual volume available for immediate cleaning rinse
- Insulated against condensation water
- Can be set as a single or dual-flush cistern depending on the push plate used
- tested to DIN EN 14055
- Fitting group 1 in keeping with German standard DIN 4109 - test certificate P-IX3837/I
- Low-noise hydraulic filling valve  $\leq 17$  dB(A) at a flow pressure of 3 bar

Module consisting of:

- Self-supporting assembly frame with powder-coated surface.
- Two adjustable supports for floor projections of 0–200 mm.
- Two M 12 retaining bolts and M 12 nuts
- Eight depth-adjustable modular attachments
- Four multi-clips for attachment to a TECEprofil wall
- Lateral steel frames to hold the steel plate sets.
- Toilet drain bend DN 90 with transition piece DN 90/100, material PP
- Transition piece also suitable for horizontal installation
- DN 90 toilet connection set, including protective plug

Please order separately:

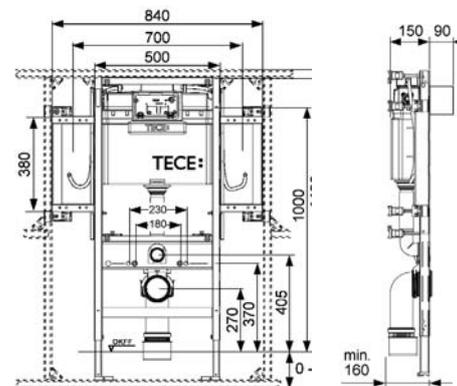
- **Steel plate set to hold the safety support arms (9 042 01x)**
- Toilet electronics (such as TECEplanus toilet remote release)
- Toilet push plate (see TECE push plates)

Note: If toilet ceramics with a reduced supporting surface are used (e.g. V & B Memento, Sentique, Subway 2.0), it is necessary to install steel brace set 9 041 029 in the lower build space.

## Caution:

**Suitable steel plate set to hold the safety support arms have to be ordered separately! Depending on the manufacturer, concealed cabling may not be possible for all safety support arms.**

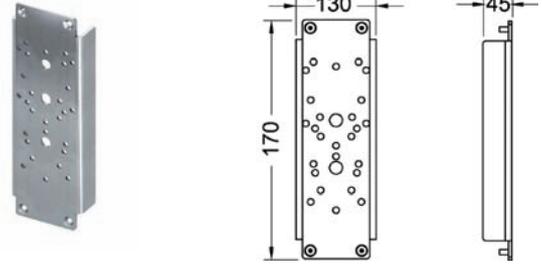
Order No.	DU 1	DU 2	DU 3
9 300 009	1 pc.	10 pcs.	60 pcs.



**Module in accordance with DIN 18040-1, safety support arm height = 760 mm**

## Steel plate set TECEprofil to hold the safety support arms

Consisting of two steel plates including mounting material for installation to toilet Geronto module Order No. 9 300 009



Order No.	Manufacturer	Type
9 042 010	Erlau	Ovalgrip
	Hewi	Series 801/802 (Lifesystem)/805/950
	Keuco	Collection Plan
	Linido	LI2601
	Normbau	CombiLine, NylonLine, StainlessLine, cavere
	Pressalit	Care R3016-RF016, R3018-RF018
9 042 011	Erlau	Economy , Variogrip Premium
	Frelu	10.052.00, 10.053.00
		10.052.01, 10.053.01
		10.054.00, 10.055.00
		10.054.01, 10.055.01
		10.074.00, 10.075.00
	FSB	82 8224 06011 82 8224 06012
	82 8224 07011 82 8224 07012	
	Linido	LI2603
9 042 012	Lehnen	Evolution
	PBA	4CN4450000 /4CN445000R
	SAM	free line
9 042 013	AMS	A, B, C and D series
	Deubad	Maxima
	Emco	5785 262 82
	Frelu	10.036.01, 10.037.01
		10.056.00, 10.057.00
		10.056.01, 10.057.01
		10.056.02, 10.057.02
		10.056.03, 10.057.03
		10.058.00, 10.058.01, 10.058.02
	Lehnen	Function
9 042 016	Deubad	DEU-WAVE
	FSB	82 8224 06001 82 8224 06002
		82 8224 07001 82 8224 07002
		82 8224 08501 bis 82 8224 08508
		82 8224 08531 82 8224 08532
		82 8224 09001 82 8224 09002
		82 8224 09031 82 8224 09032
		82 8224 06041 82 8224 06042
		82 8224 07041 82 8224 07042
		82 8224 08541 82 8224 08542
9 042 017	Lehnen	Basic, Concept, Novus

Order No.	DU 1	DU 2
9 042 010	1 set	10 set
9 042 011	1 set	10 set
9 042 012	1 set	10 set
9 042 013	1 set	10 set
9 042 016	1 set	10 set
9 042 017	1 set	10 set

# TECEprofil toilet modules

## TECEprofil toilet module with TECE cistern, with connection for odour extraction, installation height 1120 mm

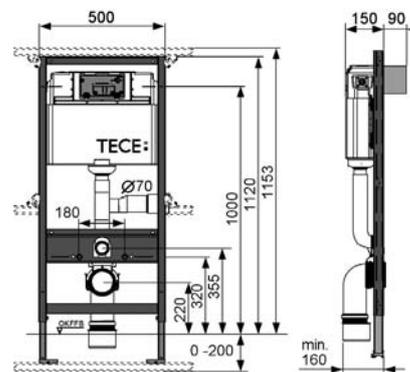
Finished like 9 300 000, however with connection for odour extraction (DN 70).

Matching fans, e.g.:

- Maico ER 100
- Lunos Skalar-2SG

Note:

- If toilet ceramics with a reduced supporting surface are used (e.g. V & B Memento, Sentique, Subway 2.0), it is necessary to install steel brace set 9 041 029 in the lower build space.
- Odour extraction is possible for all the conventional toilet ceramics. However, there are a few ceramics in which the flush water remains in the flush pipe as a result of a higher seat position or higher flushing edge, potentially resulting in a complete or partial fill. An overview of these ceramics, for which odour extraction is not possible, is provided in the latest "Technical Information".



Order No.	DU 1	DU 2	DU 3
9 300 003	1 pc.	10 pcs.	60 pcs.

## TECEprofil toilet module for Keramag Espital sink, with TECE cistern, connection for wall taps, installation height 1340 mm

For fitting to TECEprofil section tubes or for installation in metal or wooden post-and-beam walls and as a pre-wall or corner module.

Fully pre-assembled unit consisting of:

TECE flush-mounted cistern with front actuation:

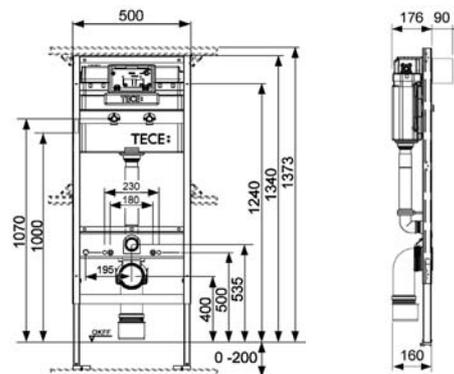
- Safety tank made of impact-resistant plastic
- Cistern fully pre-assembled and sealed
- Corner valve and cistern connection pre-assembled. Cistern connection with 1/2" female thread
- 10-litre tank volume; 6-litre pre-set standard flush volume, 4.5, 7.5, 9.0 litre flush volume can be optimally set at any time; 3-litre partial-flush volume for dual flush technology. Residual volume available for immediate cleaning rinse.
- Insulated against condensation water
- Can be set as a single or dual-flush cistern depending on the push plate used.
- Tested to DIN EN 14055
- Fitting group 1 in accordance with DIN 4109, test certificate P-IX3837/I
- Low-noise hydraulic filling valve  $LAP \leq 17 \text{ dB(A)}$  at a flow pressure of 3 bar

Module consisting of:

- Self-supporting assembly frame with powder-coated surface
- Two adjustable supports for floor projections of 0 – 200 mm
- Two pre-assembled, sound-insulated 1/2" x 1/2" wall disks to hold externally mounted fittings
- Two M 12 retaining bolts and M 12 nuts
- Installation spacing 180 mm or 230 mm
- Toilet drain bend DN 90 with transition piece DN 90/100, material PP
- Transition piece also suitable for horizontal installation
- Toilet connection set DN90, including protective plug
- Dimensions 1340 mm x 500 mm x 176 mm

Please order separately:

- Toilet push plate (see TECE push plates)
- Fitting for individual pre-wall, corner or wooden post-and-beam structures



Order No.	DU 1	DU 2	DU 3
9 300 066	1 pc.	10 pcs.	60 pcs.

# TECEprofil modules for shower toilets

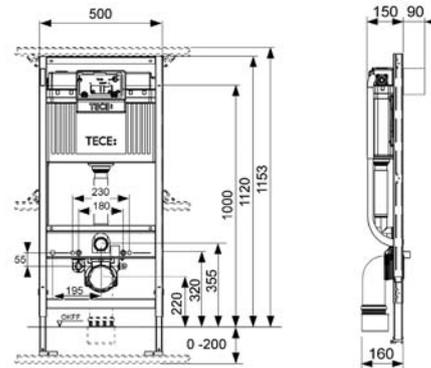
## TECEprofil toilet module with TECE cistern, for Duravit SensoWash C and Geberit AquaClean 8000/8000plus, mounting material 1120 mm

Design as for 9 300 000, but with

- conduit for subsequent insertion of a reinforced pipe in the cistern (AquaClean 8000)
- Sound-insulated wall disk 1/2" x 1/2" for water connection (Duravit SensoWash C)
- Retaining clamp for firm positioning of a power cable

Note: If toilet ceramics with a reduced supporting surface are used (e.g. V & B Memento, Sentique, Subway 2.0), it is necessary to install steel brace set 9 041 029 in the lower build space.

Order No.	DU 1	DU 2	DU 3
9 300 075 NEW	1 pc.	10 pcs.	60 pcs.



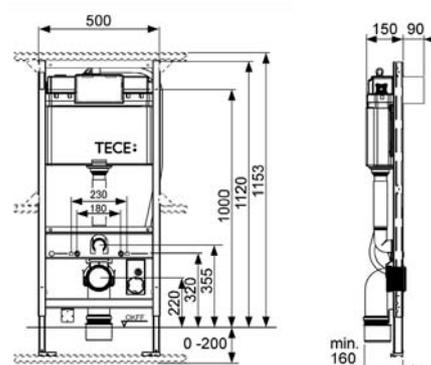
## TECEprofil toilet module with TECE cistern, for TOTO Neorest LE/SE shower toilet, installation height 1120 mm

Design as for 9 300 000, but with

- Pre-mounted control cable for automatic actuation flush function with TOTO Neorest shower toilet
- Pre-mounted hollow-wall box for power connection of the shower toilet
- Pre-mounted retaining plate for water connection of the shower toilet
- 1/2" x 1/2" wall disk including sound insulation.
- Four depth-adjustable wall attachments

Note: If toilet ceramics with a reduced supporting surface are used (e.g. V & B Memento, Sentique, Subway 2.0), it is necessary to install steel brace set 9 041 029 in the lower build space.

Order No.	DU 1	DU 2	DU 3
9 300 044	1 pc.	10 pcs.	60 pcs.



## TECEprofil upgrade set for shower toilets top frames.

Sound-insulated shell set for installation on all TECEprofil dry-wall modules; suitable for pre-mounted water and power connection for shower toilet seats e.g. Duravit SensoWash D-Code and Senso-Wash Starck, TOTO Washlet GL; TOTO Washlet Giovannoni; Geberit AquaClean 4000/5000/5000plus.

Shell set consisting of:

- Hollow-wall box
- Retaining plate for hollow-wall box, for lateral assembly on the module frame
- 1/2" x 1/2" wall disk including sound insulation.
- Retaining plate for wall disk
- Fastening screws



Order No.	DU 1	DU 2	DU 3
9 880 037	1 pc.	--	--

## TECEprofil upgrade set wall-mounted shower toilet

Shell set for the mounting of a shower toilet on TECEprofil dry-wall modules; suitable for Geberit AquaClean 8000/8000plus.

Shell set consisting of:

- Conduit with quick connectors
- Replacement reinforced pipe for cistern
- Hollow-wall box
- Retaining plate for hollow-wall box, for lateral assembly on the module frame
- Retaining plate for water connection
- Fastening screws



### Important:

**Only for toilet modules with a 1120 mm mounting material!**

Order No.	DU 1	DU 2	DU 3
9 880 034	1 pc.	--	--

## TECEprofil water connection for shower toilet

Replacement reinforced pipe with tee for TECE cistern. Suitable for the plumbing connection of shower toilets, e.g. Geberit AquaClean 8000 (plus).



Order No.	DU 1	DU 2	DU 3
9 880 036 NEW	1 pc.	--	--

# TECEprofil connection units

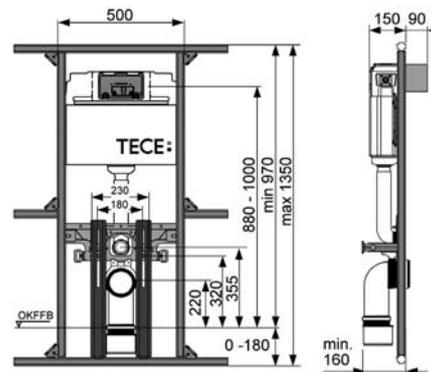
## TECEprofil toilet connection unit with TECE cistern, front-actuated

For toilet flush handle and TECE push plates.

Components:

TECE flush-mounted cistern with front actuation:

- Safety tank made of impact-resistant plastic
- Cistern fully pre-assembled and sealed
- Corner valve and cistern connection pre-assembled, cistern connection with 1/2" female thread
- 10-litre tank volume; 6-litre pre-set standard flush volume, 4.5, 7.5, 9 litre flush volume can be optimally set at any time; 3-litre partial-flush volume for dual flush technology. Residual volume available for immediate cleaning rinse.
- Insulated against condensation water
- Can be set as a single or dual-flush cistern depending on the push plate used
- tested to DIN EN 14055
- Fitting group 1 in keeping with German standard DIN 4109 - test certificate P-IX3837/1
- Low-noise hydraulic filling valve  $\leq 17$  dB(A) at a flow pressure of 3 bar.
- 180 or 230 mm crossbeams for attaching the toilet
- Two M 12 retaining bolts and M 12 nuts
- Two adjustable supports for floor projections of 0 – 200 mm
- Toilet drain bend DN 90 with transition piece DN 90/100, material PP
- Transition piece also suitable for horizontal installation
- DN 90 toilet connection set, including protective plug



Please order separately:

- Toilet push plate (see TECE push plates)

Order No.	DU 1	DU 2	DU 3
9 041 006	1 pc.	10 pcs.	60 pcs.

## TECEprofil washstand module, installation height 1120 mm

For fitting to TECEprofil section tubes or for installation in metal or wooden post-and-beam walls and as a pre-wall or corner module.

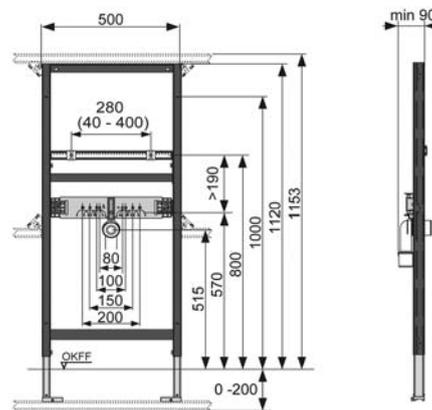
Fully pre-assembled unit consisting of:

- Self-supporting assembly frame with powder-coated surface.
- Two M 10 retaining bolts, vertically and laterally adjustable distance gauge
- Protective plug
- Sound absorbing mounting crossbeams to affix wall disks
- DN 40/50 connecting elbow with NW 30/50 rubber collar (also serves as a seal) including protective plug

Please order separately:

- Wall disks (brass or red brass ) TECEflex 16 x 1/2", TECE 1/2" x 1/2", TECElogo 16 x 1/2" or TECElogo 20 universal connection x 1/2" (page 30)
- Fitting for individual pre-wall, corner or wooden post-and-beam structures (see page 31 ff.)
- Mounting crossbeam for flush-mounted and external fittings 9 020 041 (page 29)

Order No.	DU 1	DU 2	DU 3
9 310 000	1 pc.	10 pcs.	60 pcs.



## TECEprofil washstand module, installation height 980 mm

For fitting to TECEprofil section tubes or for installation in metal or wooden post-and-beam walls and as a pre-wall or corner module.

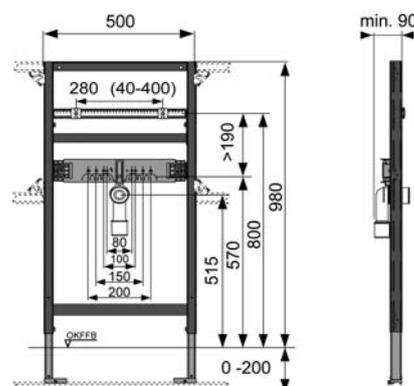
Fully pre-assembled unit consisting of:

- Self-supporting assembly frame with powder-coated surface.
- Two M10 retaining bolts, vertically and laterally adjustable distance gauge
- Protective plug
- Sound-insulated mounting crossbeams to affix wall disks
- DN 40/50 connecting elbow with NW 30/50 rubber collar (also serves as a seal) including protective building-site cap

Please order separately:

- Wall disks (brass or red brass ) TECEflex 16 x 1/2", TECE 1/2" x 1/2", TECElogo 16 x 1/2" or TECElogo 20 universal connection x 1/2" (page 30)
- Fitting for individual pre-wall, corner or wooden post-and-beam structures (see page 31 ff.)

Order No.	DU 1	DU 2	DU 3
9 310 011	1 pc.	10 pcs.	60 pcs.



# TECEprofil washstand modules

## TECEprofil washstand module with flush-mounted odour trap, installation height 1120 mm

For fitting to TECEprofil section tubes or for installation in metal or wooden post-and-beam walls and as a pre-wall or corner module.

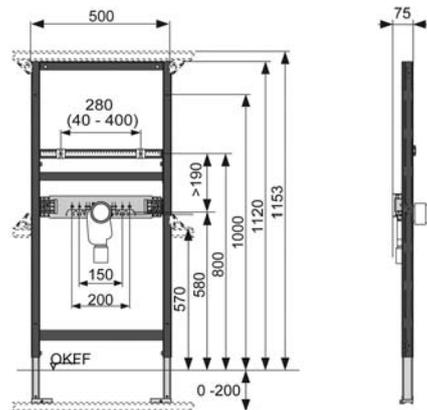
For construction of washstand units with a ground clearance pursuant to DIN 18024 - 2 (Barrier-free construction - Part 2: Publicly accessible buildings and workplaces)

Fully pre-assembled unit consisting of:

- Self-supporting assembly frame with powder-coated surface
- Two M10 retaining bolts, vertically and laterally adjustable distance gauge
- Protective plug
- Sound-insulated mounting crossbeams to affix wall disks, borehole gauges 80, 120, 150, 200 mm
- DN50 flush-mounted odour trap with removable NW 30 removable siphon insert (also serves as a seal) incl. protective plug

Please order separately:

- Wall disks (brass or red brass ) TECEflex TECEflex 16 x 1/2", TECE 1/2" x 1/2", TECElogo 16 x 1/2" or TECElogo 20 universal connection x 1/2" (page 30)
- Connection bend for flush-mounted odour trap (e.g. Order No. 9 080 001)
- Fitting for individual pre-wall, corner or wooden post-and-beam structures (see page 31 ff.)
- Mounting crossbeam for flush-mounted and external fittings 9 020 041 (page 29)



Order No.	DU 1	DU 2	DU 3
9 310 004	1 pc.	10 pcs.	60 pcs.

## TECEprofil washstand module for sink, installation height 1120 mm

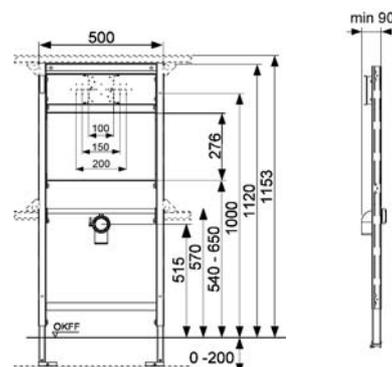
For fitting to TECEprofil section tubes or for installation in metal or wooden post-and-beam walls and as a pre-wall or corner module.

Fully pre-assembled unit consisting of:

- Self-supporting assembly frame with powder-coated surface
- Water-tight glued mounting plate made of structural veneer pursuant to DIN 68 705
- Protective plug
- Mounting crossbeam for the attachment of external fittings
- HT connecting elbow DN 50 including protective stopper

Please order separately:

- Wall disks (brass or red brass ) TECEflex 16 x 1/2", TECE 1/2" x 1/2", TECElogo 16 x 1/2" or TECElogo 20 universal connection x 1/2" (page 30)
- Fitting for individual pre-wall, corner or wooden post-and-beam structures (see page 31 ff.)



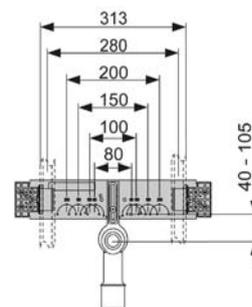
Order No.	DU 1	DU 2	DU 3
9 310 002	1 pc.	10 pcs.	60 pcs.

## TECEprofil connection unit for washstand

Sound-insulated galvanised steel crossbeam for assembly of wall disks by the customer, with pre-assembled DN 40/50, rubber collar NW 30/50, protective plug, mounting material for attaching to TECEprofil section tubes, 2 x fixing brackets M 10 and washstand attachments.

Please order separately:

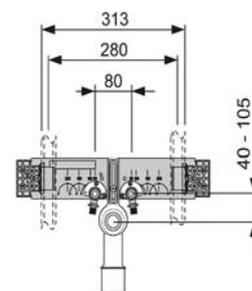
- Wall disks (brass or red brass ) TECEflex TECEflex 16 x 1/2", TECE 1/2" x 1/2", TECElogo 16 x 1/2" or TECElogo 20 universal connection x 1/2" (page 30)



Order No.	DU 1	DU 2	DU 3
9 020 033	1 pc.	10 pcs.	--

## TECEprofil connection unit for washstand incl. TECEflex or TECElogo wall disks

Sound-insulated galvanised steel crossbeam, pre-assembled wall disks with pre-set 80 mm bore hole, pre-assembled outlet bend DN 40/50, with rubber collar NW 30/50 (also acts as seal), including protective plug, mounting material for attaching to TECEprofil section tubes, 2 x fixing brackets M 10 and washstand attachments.



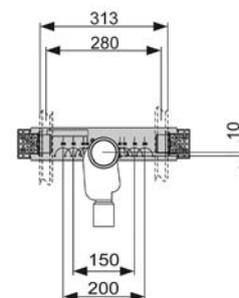
Order No.		DU 1	DU 2	DU 3
9 020 049	TECEflex 16 x 1/2" red brass NEW	1 pc.	10 pcs.	--
9 020 050	TECElogo 20 x 1/2" red brass NEW	1 pc.	10 pcs.	--

## TECEprofil connection unit for washstand with flush-mounted odour trap

Sound-insulated galvanised steel crossbeam, for assembly of wall disks by the customer, with pre-assembled DN 50 flush-mounted odour trap, NW 30 removable siphon insert (also serving as seal), including protective plugs, mounting material for attaching to TECEprofil section tubes, 2 x M10 fixing brackets and washstand attachments.

Please order separately:

- Wall disks (brass or red brass ) TECEflex TECEflex 16 x 1/2", TECE 1/2" x 1/2", TECElogo 16 x 1/2" or TECElogo 20 universal connection x 1/2" (page 30)
- Connection bend for flush-mounted odour trap (e.g. Order No. 9 080 001)



Order No.	DU 1	DU 2	DU 3
9 020 034	1 pc.	10 pcs.	--

# TECEprofil washstand connection units

## TECEprofil connection unit for washstand

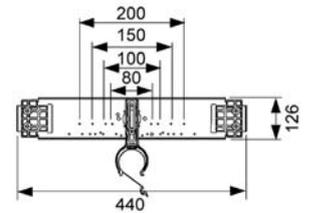
Sound-insulated galvanised steel crossbeam, for assembly of wall disks by the customer, incl. pre-assembled drain retainer, for installation in C-profile walls

Please order separately:

- Wall disks (brass or red brass ) TECEflex TECEflex 16 x 1/2", TECE 1/2" x 1/2", TECElogo 16 x 1/2" or TECElogo 20 universal connection x 1/2" (page 30)



**NEW**



Order No.	DU 1	DU 2	DU 3
9 020 048 NEW	1 pc.	10 pcs.	--

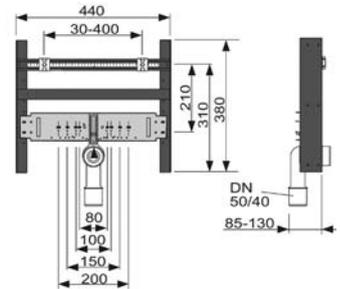
## TECEprofil washstand support for the installation in metal or wooden post-and-beam walls

Pre-assembled unit consisting of:

- Assembly frame with powder-coated surface
- Two M10 retaining bolts, vertically and laterally adjustable distance gauge
- Mounting connection crossbeam
- Connection bend DN 40/50 with rubber collar NW 30/50, protective stopper

Please order separately:

- Wall disks (brass or red brass ) TECEflex TECEflex 16 x 1/2", TECE 1/2" x 1/2", TECElogo 16 x 1/2" or TECElogo 20 universal connection x 1/2" (page 30)



Order No.	DU 1	DU 2	DU 3
9 510 003	1 pc.	10 pcs.	60 pcs.

**TECEprofil urinal module with TECE flush valve housing**

To take manual and electronic actuation systems. For fitting to TECEprofil section tubes or for installation in metal or wooden post-and-beam walls and as a pre-wall or corner module.

Fully pre-assembled unit consisting of:

- TECE urinal flush valve housing with inlet flow control and bare-wall protection system
- Two adjustable supports for floor projections of 0–200 mm
- Two M8 retaining bolts
- Continuously adjustable fixing rails
- Continuously height-adjustable drain connection
- Connection bend DN 50 including protective stopper
- Mounting material for urinal
- Inlet fittings

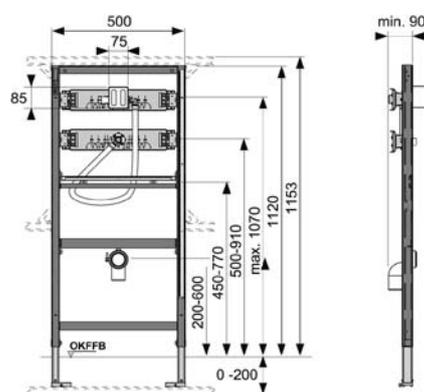
Please order separately:

- Manual actuation or electronics
- Fitting for individual pre-wall, corner or wooden post-and-beam structures (see page 31 ff.)

**Caution:**

Not suitable for semi-recessed urinals, z. B. Keramag Joly and Visit

Order No.	DU 1	DU 2	DU 3
9 320 008	1 pc.	10 pcs.	60 pcs.



**TECEprofil urinal module for external flush valve**

To take external flush valves. For fitting to TECEprofil section tubes or for installation in metal or wooden post-and-beam walls and as a pre-wall or corner module.

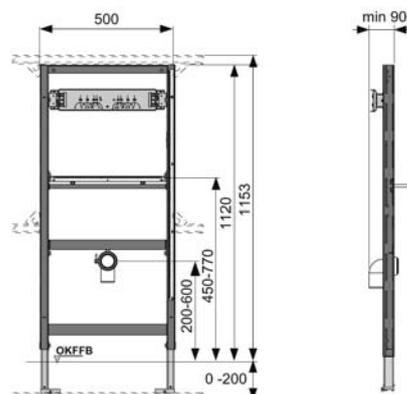
Fully pre-assembled unit, consisting of:

- Self-supporting assembly frame with powder-coated surface.
- Two adjustable supports for floor projections of 0–200 mm
- Two M8 retaining bolts
- Continuously adjustable fixing rails
- Continuously height-adjustable drain connection
- DN 50 high-temperature drain bend including protective plug
- Mounting material for urinal

Please order separately:

Fitting for individual pre-wall, corner or wooden post-and-beam structures (see page 31 ff.)

Order No.	DU 1	DU 2	DU 3
9 320 010	1 pc.	10 pcs.	60 pcs.



# TECEprofil urinal connection units

## TECEprofil connection unit for urinal with TECE flush valve housing

To take manual and electronic actuation systems.

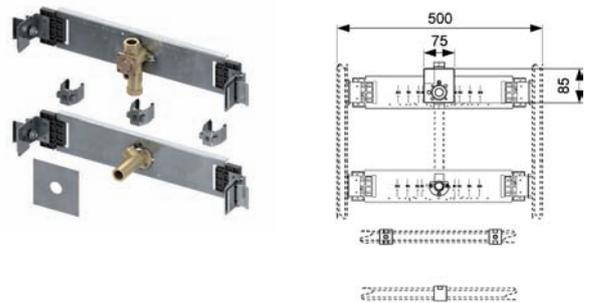
Fully pre-assembled unit consisting of:

- Sound-insulated galvanised steel crossbeam
- TECE urinal flush valve housing with inlet flow control and bare-wall protection system
- 1/2" x 1/2" mounting connection
- 3 x M8 fixing brackets
- Urinal attachment
- Inlet fittings

Please order separately:

- Manual actuation or electronics

Order No.	DU 1	DU 2	DU 3
9 020 038	1 pc.	--	--



## TECEprofil connection unit for Keramag, Joly and Visit urinal with TECE flush valve housing

To attach recessed urinals to a TECEprofil wall.

Top, left or right actuation to suit.

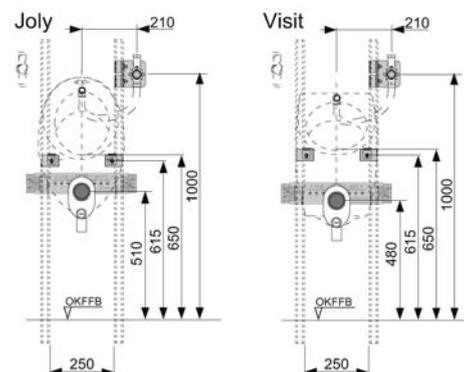
Components:

- TECE urinal flush valve housing with inlet flow control and bare-wall protection system
- Galvanised steel retaining plate
- M8 attaching bolts
- DN 50 outlet odour trap with galvanised crossbeam

Please order separately:

- Manual actuation
- "Kerafix" and plumbing connection: see Keramag

Order No.	DU 1	DU 2	DU 3
9 020 039	1 pc.	--	--



## TECEprofil bidet module for wall-mounted bidet, installation height 1120 mm

For fitting to TECEprofil section tubes or for installation in metal or wooden post-and-beam walls and as a pre-wall or corner module.

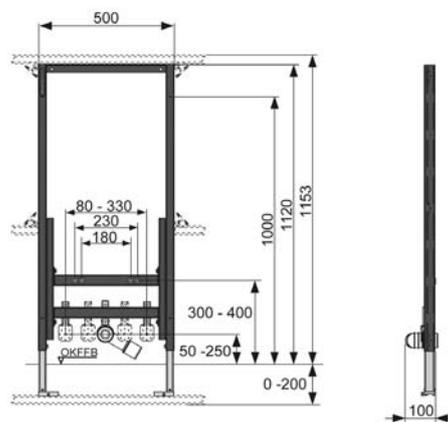
Fully pre-assembled unit consisting of:

- Self-supporting assembly frame with powder-coated surface and two adjustable supports for floor projections of 0 – 200 mm
- Two M 12 retaining bolts and M 12 nuts
- Continuously height-adjustable drain connection
- DN 40/50 connecting elbow with NW 30/50 rubber collar (also serves as a seal) including protective plug

Please order separately:

- Wall disks (brass or red brass ) TECEflex TECEflex 16 x 1/2", TECE 1/2" x 1/2", TECElogo 16 x 1/2" or TECElogo 20 universal connection x 1/2" (page 30)
- Fitting for individual pre-wall, corner or wooden post-and-beam structures (see page 31 ff.)

Order No.	DU 1	DU 2	DU 3
9 330 000	1 pc.	10 pcs.	60 pcs.



## TECEprofil bidet module for wall-mounted bidet, installation height 820 mm

For fitting to TECEprofil section tubes or for installation in metal or wooden post-and-beam walls and as a pre-wall or corner module.

Fully pre-assembled unit consisting of:

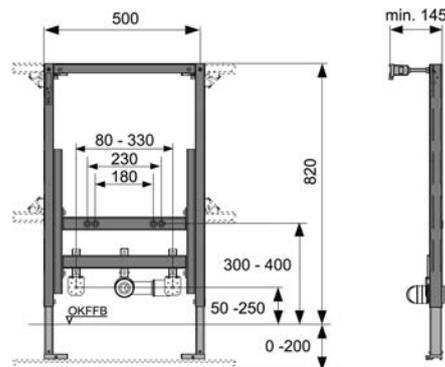
- Self-supporting assembly frame with powder-coated surface and two adjustable supports for floor projections of 0 – 200 mm
- Two retaining bolts and M12 nuts
- Continuously height-adjustable drain connection
- DN 40/50 connecting elbow with NW 30/50 rubber collar (also serves as a seal) including protective plug
- Two depth-adjustable modular attachments

In combination with telescopic attachment 9 380 001, it can be fitted in a TECEprofil pre-wall for installation height 980 mm.

Please order separately:

- Fitting for corner or wooden post-and-beam structures (see page 31 ff.)
- Wall disks (brass or red brass ) TECEflex TECEflex 16 x 1/2", TECE 1/2" x 1/2", TECElogo 16 x 1/2" or TECElogo 20 universal connection x 1/2" (page 30)
- TECEprofil telescopic attachment for modules, 9 380 001 (s. page 32)

Order No.	DU 1	DU 2	DU 3
9 330 005	1 pc.	10 pcs.	60 pcs.



# TECEprofil bidet/shower modules

## TECEprofil bath/shower module for flush-mounted and external fittings, installation height 1120 mm

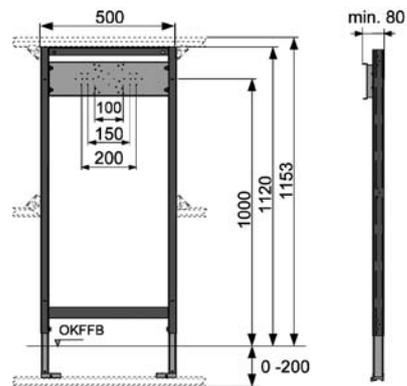
To take external or flush-mounted fittings.  
 For fitting to TECEprofil section tubes or for installation in metal or wooden post-and-beam walls and as a pre-wall or corner module.

Fully pre-assembled unit consisting of:

- Self-supporting assembly frame with powder-coated surface.
- Two adjustable supports for floor projections of 0 – 200 mm.
- Continuously adjustable crossbeam to take flush-mounted fittings or wall disks



Order No.	DU 1	DU 2	DU 3
9 340 000	1 pc.	10 pcs.	60 pcs.



## TECEprofil mounting crossbeams for flush-mounted and external fittings

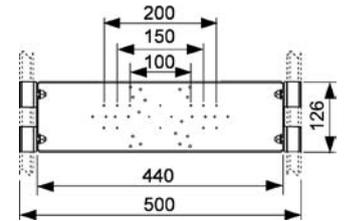
Galvanised steel crossbeams for the customer to assemble flush-mounted or external fittings, including mounting material, to TECEprofil section tubes or for installation in metal or wooden post-and-beam walls.

Fits Hansa Varox, Hansgrohe i-box and Kludi Flex-Box, for instance.

Please order separately:

- Wall disks (brass or red brass ) TECEflex TECEflex 16 x 1/2", TECE 1/2" x 1/2", TECElogo 16 x 1/2" or TECElogo 20 universal connection x 1/2" (page 30)

Order No.	DU 1	DU 2	DU 3
9 020 040	1 pc.	10 pcs.	--



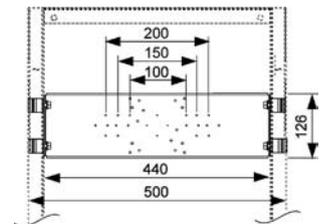
## TECEprofil mounting crossbeam for flush-mounted and external fitting for subsequent installation in washstand modules

Galvanised steel crossbeams for the customer to assemble flush-mounted or external fittings, including mounting material, to TECEprofil section tubes or for subsequent installation in metal or wooden post-and-beam walls. Fits Hansa Varox, Hansgrohe i-box and Kludi Flex-Box, for instance.

Please order separately:

- Wall disks (brass or red brass ) TECEflex 16 x 1/2", TECE 1/2" x 1/2", TECElogo 16 x 1/2" or TECElogo 20 universal connection x 1/2" (page 30)

Order No.	DU 1	DU 2	DU 3
9 020 041	1 pc.	10 pcs.	--



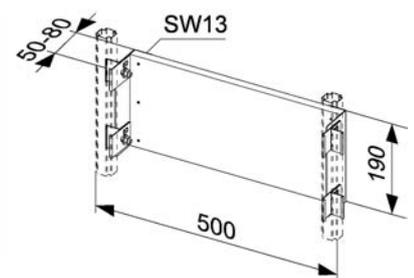
## TECEprofil mounting plate for flush-mounted fittings

Continuously height-adjustable assembly plate to attach flush-mounted fittings and other appointments.

Fully pre-assembled unit, consisting of:

- Base plate made of watertight, glued structural veneer in keeping with German standard DIN 68705
- Mounting elbow, galvanised
- Four multi-clamps

Order No.	DU 1	DU 2	DU 3
9 150 000	1 pc.	--	--



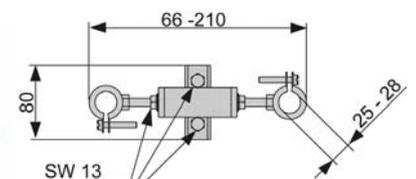
## TECEprofil connection unit for stop valve and water meter

Holder to firmly retain standard commercial stop valves and water meters using pipe clips; continuously adjustable in terms of spacing, depth and height.

Fully pre-assembled unit, consisting of:

- Two pipe clips with sound-insulated rubber
- Mounting material for fitting to TECEprofil section tubes

Order No.	DU 1	DU 2	DU 3
9 020 019	1 pc.	2 pcs.	--



# TECEprofil mounting connections

## TECEprofil connection unit for washing machine

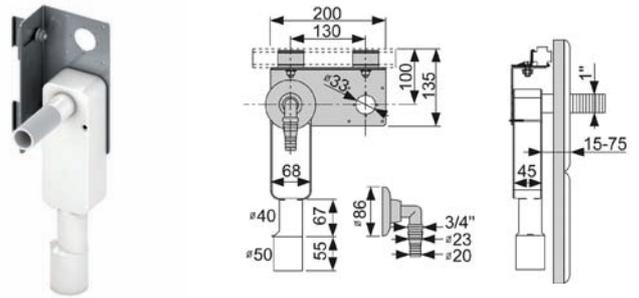
For horizontal or vertical incorporation into a TECEprofil supporting frame.

Components:

- Galvanised steel crossbeams to attach U-bend and wall disk
- In-built U-bend for washing machine, DN 40/50
- Chromed hose connection
- Chromed anchor plate
- Material for attachment to a TECEprofil brace

Please order separately:

- Wall disks (brass or red brass ) TECEflex 16 x 1/2", TECE 1/2" x 1/2", TECElogo 16 x 1/2" or TECElogo 20 universal connection x 1/2" (page 30)



Order No.	DU 1	DU 2	DU 3
9 020 036	1 pc.	2 pcs.	--

## TECEprofil mounting connection

To fit an individual tap connection to the TECEprofil supporting frame.

Fully pre-assembled unit, consisting of:

- Wall disk TECEflex 16 x 1/2", long or TECE 1/2" x 1/2", long or TECElogo 16 x 1/2", long or TECElogo 20 universal connection x 1/2"
- Sound insulation from supporting frame
- Self-adhesive seal collar to seal between panel and wall disk
- Material for fitting to TECEprofil section tubes
- Cover plug

Order No.		DU 1	DU 2	DU 3
9 020 020	TECEflex 16 x 1/2" brass	1 pc.	4 pcs.	--
9 020 004	TECE 1/2" x 1/2" red brass	1 pc.	4 pcs.	--
9 020 045	TECElogo 16 x 1/2" brass	1 pc.	4 pcs.	--
9 020 046	without wall disk <b>NEW</b>	1 pc.	4 pcs.	--
9 020 051	TECEflex 16 x 1/2" red brass <b>NEW</b>	1 pc.	4 pcs.	--
9 020 052	TECElogo 20 x 1/2" red brass <b>NEW</b>	1 pc.	4 pcs.	--

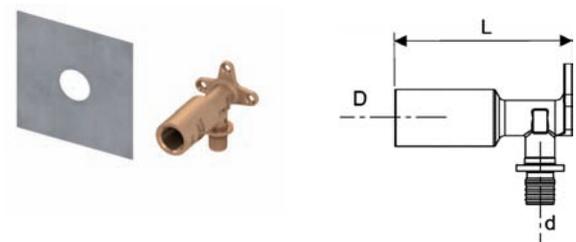
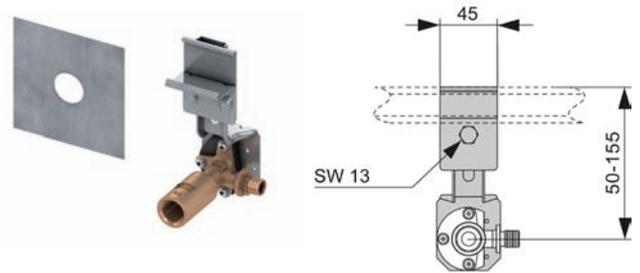
## TECEprofil system wall disks

Long dry-wall construction disk for customer to mount with washstands, bidet and externally mounted fittings in the TECEprofil system.

Components:

- Wall disk TECEflex 16 x 1/2", long or TECE 1/2" x 1/2", long or TECElogo 16 x 1/2", long or TECElogo 20 universal connection x 1/2"
- Self-adhesive seal collar to seal between panel and wall disk
- Mounting material
- Cover plug

Order No.		DU 1	DU 2	DU 3
9 021 017	TECE 1/2" x 1/2" red brass	1 pc.	20 pcs.	--
9 021 021	TECEflex 16 x 1/2" red brass <b>NEW</b>	1 pc.	20 pcs.	--
9 021 022	TECElogo 20 x 1/2" red brass <b>NEW</b>	1 pc.	20 pcs.	--



D	d	L
Rp 1/2"	Rp 1/2"	82 mm
Rp 1/2"	Dim. 16 TECEflex	82 mm
Rp 1/2"	20 mm universal connection	87 mm

## TECEprofil module for safety support arms and support systems

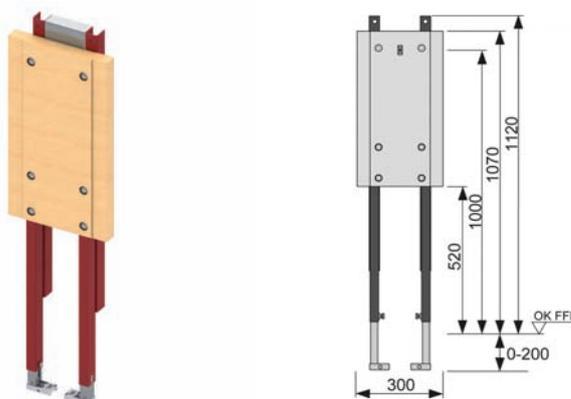
For installation in a flush-mounted profile post-and-beam wall or as a pre-wall element.

Fully pre-assembled unit consisting of:

- Self-supporting assembly frame with powder-coated surface
- Watertight, multi-glued structural veneer plate in keeping with German standard DIN 68705
- Mounting material for attachment in a flush-mounted profile wall

Please order separately:

Depth-adjustable module attachment 9 380 000 for pre-wall installation (see page 31)



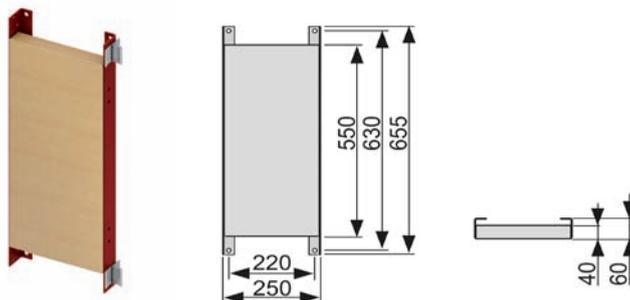
Order No.	DU 1	DU 2	DU 3
9 360 000	1 pc.	10 pcs.	--

## TECEprofil mounting plate for safety support arms and support systems

For stable attachment of safety support arms and support systems in a TECEprofil supporting frame.

Fully pre-assembled unit, consisting of:

- Mounting plate to be screwed to a TECEprofil universal module, made of watertight, glued structural veneer in keeping with German standard DIN 68705
- Two multi-clips for fixing to the TECEprofil supporting frame

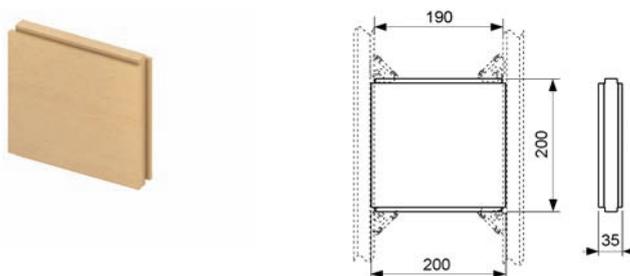


Order No.	DU 1	DU 2	DU 3
9 042 003	1 pc.	--	--

## TECEprofil mounting plate for additional appointments, 200 mm x 200 mm

Mounting plate for stable attachment of additional appointments, e.g. mirror cupboards, in a TECEprofil supporting frame.

Made of watertight, glued structural veneer in keeping with German standard DIN 68705



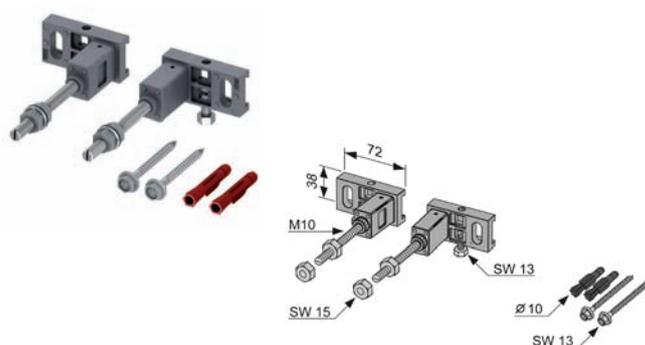
Order No.	DU 1	DU 2	DU 3
9 042 005	1 pc.	2 pcs.	--

## TECEprofil depth-adjustable modular attachment

To attach modules to a solid structural wall, mounting space 150-240mm.

Components:

- Two depth-adjustable modular attachments
- mounting material



Order No.	DU 1	DU 2	DU 3
9 380 000	1 set	10 set	60 set

# TECEprofil modular attachments

## TECEprofil wall holder

Plain wall holder to attach modules to a solid structural wall.

Order No.	DU 1	DU 2	DU 3
9 380 300	1 pc.	20 pcs.	--



## TECEprofil wall holder 45°

Plain wall holder to attach modules in a 45° angle to a solid structural wall.

Order No.	DU 1	DU 2	DU 3
9 380 301	1 pc.	20 pcs.	--



## TECEprofil hanger bolts for solid walls

Modular attachment using hanger bolts in front of solid walls. For supporting framework heights of 145 to 175 mm.

Components:

- Two hanger bolts with dowels
- Four flange nuts

Order No.	DU 1	DU 2	DU 3
9 380 007	10 set	40 set	--



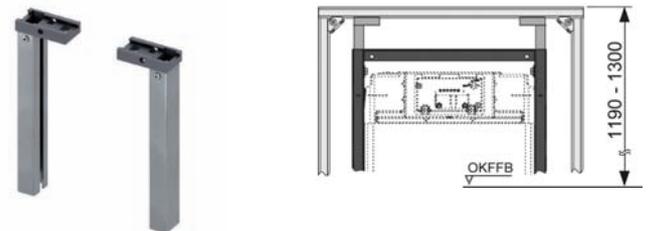
## TECEprofil telescopic attachment for modules

To extend the lateral module braces and to fix to a horizontal TECEprofil brace.

Components:

- Two height-adjustable modular attachments
- Mounting material for fitting to TECEprofil section tubes

Order No.	DU 1	DU 2	DU 3
9 380 001	1 set	5 set	--



## TECEprofil height-adjustable module attachment for individual assembly

To attach TECEprofil modules to a solid or lightweight wall. Permits variable depth and height adjustment for storage surfaces.

Fully pre-assembled unit consisting of:

- Assembly crossbeam with galvanised surface
- Two wall attachments, height-adjustable, for adjustment to tile pattern
- Mounting material for assembly in front of the wall

Order No.	DU 1	DU 2	DU 3
9 380 002	1 pc.	--	--

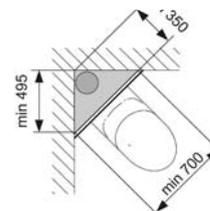


## TECEprofil module attachment for variable corner assembly

To attach TECEprofil modules in front of a structural corner. Space-saving corner assembly, including fitting of downpipes, ventilation pipes or supply pipes behind the module, is an option with all modules.

Components:

- Two wall attachments for corner assembly, variable elbow
- Mounting material for assembly in front of the wall



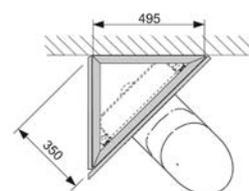
Order No.	DU 1	DU 2	DU 3
9 380 003	1 set	5 set	--

## TECEprofil module attachment for wall corner assembly

For fixing the TECEprofil modules at an angle of 45° to a solid or lightweight wall. Only one side needs to be screwed to the wall.

Fully pre-assembled unit consisting of:

- Assembly crossbeam with galvanised surface, height-adjustable, for adaptation to tile pattern
- Galvanised light weight wall profile to attach facing
- Mounting material for assembly on the wall



Order No.	DU 1	DU 2	DU 3
9 380 004	1 pc.	--	--

## TECEprofil panel kit

For installation in niches of 680–1130mm. Suitable for every TECEprofil module.



Order No.	DU 1	DU 2	DU 3
9 380 013	1 pc.	--	--

# TECEprofil supporting framework accessories

## TECEprofil mounting set for wooden post-and-beam walls

Mounting material to attach TECEprofil modules to lateral post-and-beam structures.

Components:

- Four hexagonal head wood screws
- Four washers



Order No.	DU 1	DU 2	DU 3
9 380 005	1 set	5 set	--

## TECEprofil mounting set for flush-mounted profile walls

Mounting material to attach TECEprofil modules lateral flush-mounted profiles. Suitable for flush-mounted 50 profiles pursuant to DIN 18182 part 1.

Components:

- Four bolts with nuts
- Eight washers



Order No.	DU 1	DU 2	DU 3
9 380 006	1 set	5 set	--

## TECEprofil flexible connector with ball joint

For the universal wall connection of the TECEprofil pipes. Due to the ball joint, practically all angles and positions can be set.

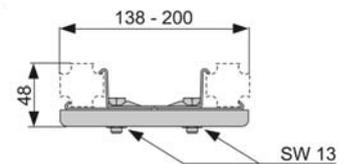
**NEW**



Order No.	DU 1	DU 2	DU 3
9 018 011 NEW	2 pcs.	10 pcs.	--

## TECEprofil universal joint

To connect TECEprofil section tubes at any angle. Pre-assembled galvanised steel unit.



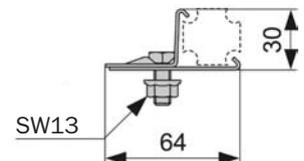
Order No.	DU 1	DU 2	DU 3
9 018 002	6 pcs.	30 pcs.	--

## TECEprofil multi-clip

To fix non-system materials to TECEprofil section tubes.

Components:

- M8 bolt and nut
- Galvanised steel plates



Order No.	DU 1	DU 2	DU 3
9 010 003	10 pcs.	30 pcs.	--

## TECEprofil anchoring clip

To take a threaded rod.  
Pre-assembled galvanised steel unit, without threaded rod.



Order No.	Version	DU 1	DU 2	DU 3
9 040 004	M 8	10 pcs.	30 pcs.	--
9 040 001	M 10	10 pcs.	30 pcs.	--

## TECEprofil 4.2 x 13 attaching screw

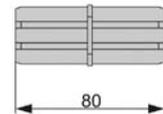
Self-tapping Phillips screw to fix non-system materials to TECEprofil section tubes and crossbeams.



Order No.	DU 1	DU 2	DU 3
9 018 007	100 pcs.	500 pcs.	--

## TECEprofil section tube connection

To create a stable axial connection between two TECEprofil section tubes.



Order No.	DU 1	DU 2	DU 3
9 010 009	5 pcs.	50 pcs.	--

# TECEprofil supporting framework accessories

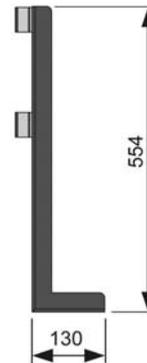
## TECEprofil support for stand-alone walls

To brace stand-alone TECEprofil supporting frames.

Components:

- Galvanised steel supporting foot
- Mounting material for fitting to shell floor
- Mounting material for fixing to the TECEprofil supporting frame

Order No.	DU 1	DU 2	DU 3
9 030 017	1 pc.	--	--



## TECEprofil module feet, extended design

For installation in TECEprofil modules with floor extensions of min. 20 cm and max. 50 cm.

Zinc-coated design with TECEprofil module foot.

Order No.	DU 1	DU 2	DU 3
9 030 028	1 set	--	--



## TECEprofil steel brace set

For additional support in module frames for toilet ceramics with a reduced supporting surface (e.g. V & B Memento, Sentique and Subway 2.0). Suitable for installation in all TECEprofil dry-wall modules.

Order No.	DU 1	DU 2	DU 3
9 041 029 NEW	1 set	--	--



**NEW**

## TECEprofil plug in foot

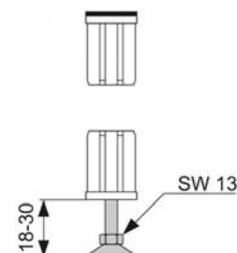
Levelling foot and end cap for insertion into a TECEprofil section tube.

The levelling foot is suitable for load bearing, e.g. supporting steel bathtubs. No additional steel bathtub foot is required.

Components:

- Levelling foot to adjust height of TECEprofil section tubes
- End cap with rubber overlay

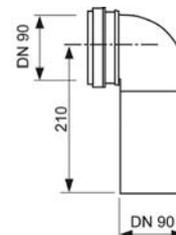
Order No.	DU 1	DU 2	DU 3
9 140 000	4 pcs.	20 pcs.	--



## TECEprofil 90° toilet connection elbow, DN 90/90

To connect a toilet module to a DN 90 drain pipe.

Order No.		DU 1	DU 2	DU 3
9 980 067	PE-HD (weldable) SALE	1 pc.	10 pcs.	--
9 820 135	PP	1 pc.	10 pcs.	--



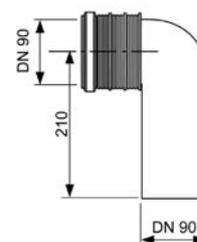
## TECEprofil 90° toilet connection elbow, DN 90/90

To connect a toilet module to a DN 90 drain pipe.  
Material PE-HD (weldable)

Order No.		DU 1	DU 2	DU 3
9 820 315	PE-HD NEW	1 pc.	10 pcs.	--
9 820 134	PP NEW	1 pc.	10 pcs.	--



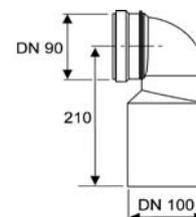
**NEW**



## TECEprofil 90° toilet connection elbow, DN 90/100

To connect a toilet module to a DN 100 drain pipe.

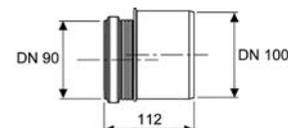
Order No.		DU 1	DU 2	DU 3
9 820 503	PVC	1 pc.	10 pcs.	--



## TECEprofil DN 90/100 toilet transition piece

To connect toilet modules horizontally to a DN 100 drain pipe.

Order No.		DU 1	DU 2	DU 3
9 820 136	PP	1 pc.	10 pcs.	--
9 820 137	PVC	1 pc.	10 pcs.	--
9 820 316	PE-HD NEW	1 pc.	10 pcs.	--



## Flexible toilet connection bend DN 90

Flexible drain bend DN 90, connection piece material PE-HD (weldable)

Order No.		DU 1	DU 2	DU 3
9 820 317	NEW	1 pc.	--	--



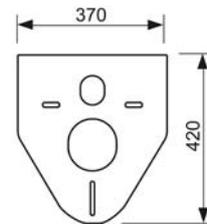
**NEW**

# TECEprofil flushing accessories

## TECEprofil sound insulation kit for toilet and bidet

For sound insulation between the toilet or bidet ceramics and tile layer.

Order No.	DU 1	DU 2	DU 3
9 200 010	1 pc.	10 pcs.	60 pcs.



## TECEprofil inlet fitting for urinal

Set consisting of:

- 1/2" connection piece
- Urinal connector

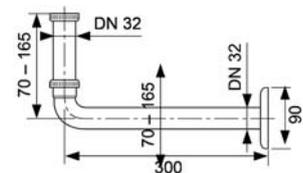
Order No.	DU 1	DU 2	DU 3
9 820 055	1 pc.	--	--



## Connection bend TECEprofil flush-mounted odour trap

Connection bend 1 1/4" x DN 32 with height-adjustable immersion pipe and covering anchor plate, chrome-plated brass

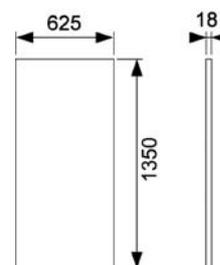
Order No.	DU 1	DU 2	DU 3
9 080 001	1 pc.	30 pcs.	--



## TECEprofil panel plate

Moisture-proof plate for facing the TECEprofil supporting frame and TECEprofil modules. Made of German standard DIN 4102-A2 impregnated plasterboard, non-flammable.

Order No.	DU 1	DU 2	DU 3
9 200 000	30 pcs.	60 pcs.	120 pcs.



## TECEprofil knifing filler, impregnated

To fill gaps in the TECEprofil panel facing. Supplied in 5 kg bags. Filling to quality level Q1; higher quality levels must be taken into consideration in invitations to tender.

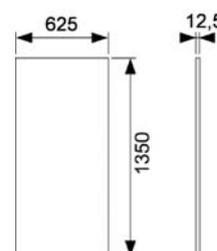
Order No.	DU 1	DU 2	DU 3
9 200 001	5 kg	20 kg	--



## TECEprofil panel plate, for highly wet areas

Special facing plate for the TECEprofil supporting frame in highly wet areas. 12.5 mm thick cement-bound lightweight concrete panel, in accordance with DIN EN 13501-1, non-flammable.

Order No.	DU 1	DU 2	DU 3
9 200 013	1 pc.	30 pcs.	60 pcs.



## TECEprofil glue cartridge

For adhesion and grouting of butt-joined panel plate TECEprofil (9 200 013) for highly-wet areas.

Order No.	DU 1	DU 2	DU 3
9 200 014	1 pc.	25 pcs.	--



# TECEprofil panel facing

## TECEprofil panel screw, self-tapping

To attach TECEprofil panels to TECEprofil section tubes.  
Made of steel, 3,5 mm x 35 mm (Bit PH2)



Order No.	DU 1	DU 2	DU 3
9 200 002	250 pcs.	4500 pcs.	9000 pcs.

## TECEprofil fire protection plate set

Fire protection plates for standard TECEprofil toilet module with TECE cistern.

Set consists of two non-flammable rock-wool heat-insulation boards A1.

Dimensions 1000 x 625 x 30 mm or 711 x 440 x 20 mm

In the event of fire protection requirements for partition walls with toilet modules, the fire protection plates must be used.

Fire protection walls made of TECEprofil from F 30 to F 120 must be installed in accordance with abP P-3226/492/11-MPA BS.



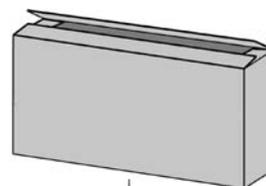
Order No.	DU 1	DU 2	DU 3
9 200 017	1 pc.	10 pcs.	--

## TECEprofil starter set

Assortment of basic components, toilet and washstand unit to construct TECEprofil walls.

Components:

Item	Order No.	Description	Quantity
1	9 300 000	Toilet module with TECE cistern	1
2	9 240 200	TECEambia push plate, dual flush, white	1
3	9 020 033	Connection unit for washstand	1
4	9 010 002	Corner joint	30
5	9 030 002	Angle bracket	10
6	9 030 011	Double attachment	5



Order No.	DU 1	DU 2	DU 3
9 850 016	1 pc.	--	--

## Repair set for cisterns made of PP

For the elimination of damage (e.g. from drilling) to a diameter of approx. 12 mm

Components:

- Five plastic disks
- Sandpaper
- Hot glue gun
- Two glue sticks
- Cleaner (125 ml)
- Two cloths



Order No.	DU 1	DU 2	DU 3
9 221 013	1 pc.	--	--

## Corner valve key

For assembly/disconnection of corner valve in TECE cistern, with holder for 1/2" or 1/4" ratchet



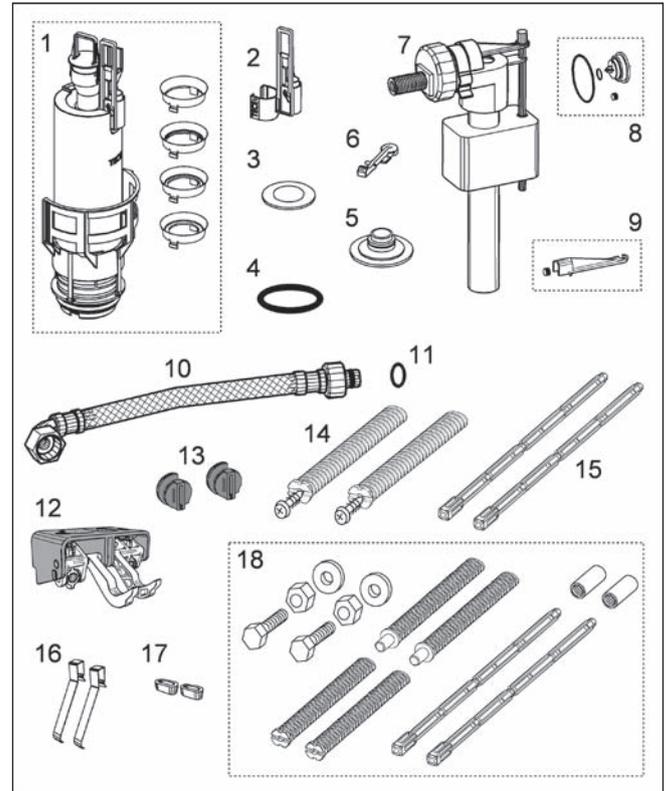
Order No.	DU 1	DU 2	DU 3
9 820 264	1 pc.	--	--

## Spare parts box for TECE cistern

Plastic assortment case with spare parts for the TECE cistern

Components:

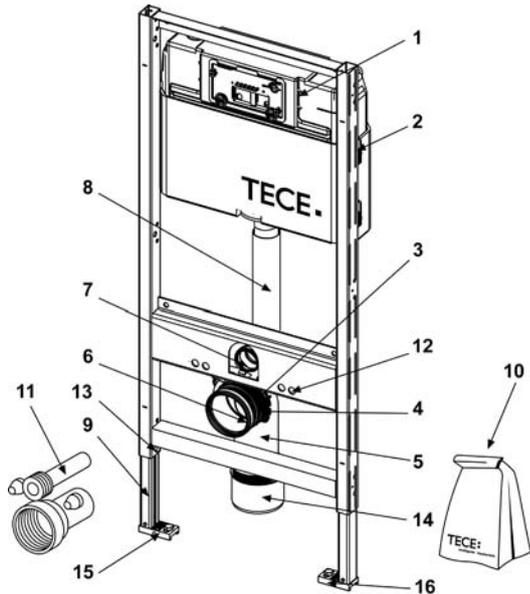
Item	Order No.	Description	Quantity
1	9 820 223	Drain valve A2, with valve seat and throttle set	1
2	9 820 229	Pull rod for electrical actuation (A2)	1
3	9 820 233	Gasket for drain valve (A2)	1
4	9 820 005	O-ring for valve seat (A1 and A2)	10
5	9 820 003	Packer for drain valve (A1)	5
6	9 820 004	Guide valve for drain valve (A1)	5
7	9 820 006	Filling valve	1
8	9 820 009	Sealing set	5
9	9 820 010	Lever with seal	3
10	9 820 026	Reinforced hose with O-ring	1
11	9 820 025	O-ring seal	40
12	9 820 016	Actuation block complete	1
13	9 820 018	Clamping screws	4
14	9 820 019	Attaching rods	3
15	9 820 022	Actuation rods	5
16	9 820 020	Button spring	10
17	9 820 024	Rubber buffer	10
18	9 820 030	Extension set	1



Order No.	DU 1	DU 2	DU 3
9 820 000	1 pc.	--	--

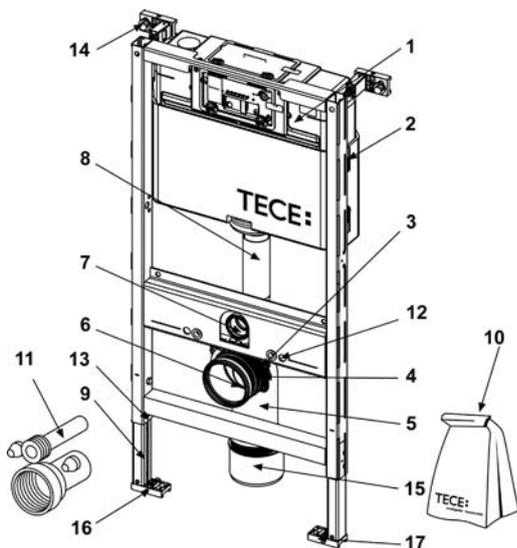
## Toilet modules/Toilet connection units

### 9 300 000 – toilet module, Mounting material 1120 mm

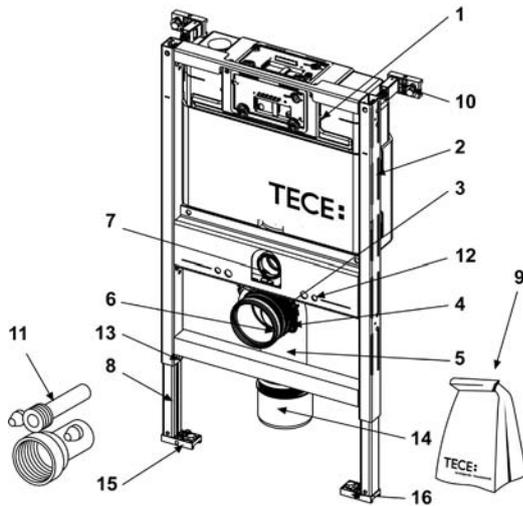


Item	Order No.	Description
1	See ET	Cistern, front-actuated cistern (page 65 ff)
2	9 820 040	Assembly kit for cistern
3	9 820 041	Toilet drain bend holder
4	9 820 042	Bracket for toilet drain bend holder
5	9 820 134	Toilet drain bend DN 90 (PP)
6	9 820 139	Seal for toilet drain bend/adapter
7	9 820 015	Flush pipe seal
8	9 820 011	Flush pipe with O-ring
9	9 820 335	C-Profil for module foot <b>NEW</b>
10	9 820 043	By-pack for toilet module
11	9 820 057	Connection set DN 90 for toilet
12	9 820 071	Insert nut
13	9 820 072	Service brake
14	9 820 136	Adapter DN 90/DN 100 (PP)
15	9 820 332	Module foot w. toggle "left" <b>NEW</b>
16	9 820 333	Module foot w. toggle "right" <b>NEW</b>

### 9 300 022 – toilet module, Mounting material 980 mm

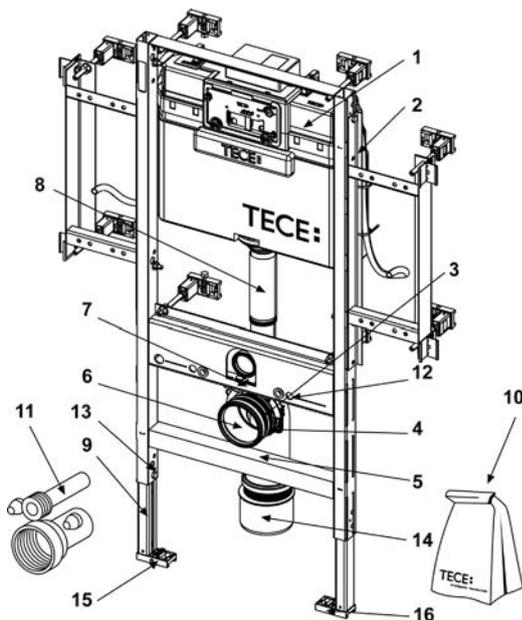


Item	Order No.	Description
1	See ET	Cistern, front-actuated cistern (page 65 ff)
2	9 820 040	Assembly kit for cistern
3	9 820 041	Toilet drain bend holder
4	9 820 042	Bracket for toilet drain bend holder
5	9 820 134	Toilet drain bend DN 90 (PP)
6	9 820 139	Seal for toilet drain bend/adapter
7	9 820 015	Flush pipe seal
8	9 820 099	Flush pipe
9	9 820 335	C-Profil for module foot <b>NEW</b>
10	9 820 043	By-pack for toilet module
11	9 820 057	Connection set DN 90 for toilet
12	9 820 071	Insert nut
13	9 820 072	Service brake
14	9 380 000	Pre-wall attachment
15	9 820 136	Adapter DN 90/DN 100 (PP)
16	9 820 332	Module foot w. toggle "left" <b>NEW</b>
17	9 820 333	Module foot w. toggle "right" <b>NEW</b>



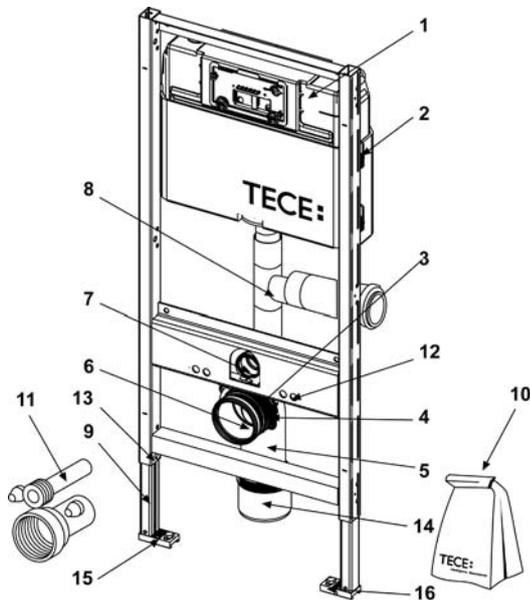
**9 300 001 – toilet module, mounting material 820 mm**

Item	Order No.	Description
1	See ET	Cistern, front-actuated cistern (page 65 ff)
2	9 820 040	Assembly kit for cistern
3	9 820 041	Toilet drain bend holder
4	9 820 042	Bracket for toilet drain bend holder
5	9 820 134	Toilet drain bend DN 90 (PP)
6	9 820 139	Seal for toilet drain bend/adaptor
7	9 820 015	Flush pipe seal
8	9 820 335	C-Profil for module foot <b>NEW</b>
9	9 820 043	By-pack for toilet module
10	9 380 000	Pre-wall attachment
11	9 820 057	Connection set DN 90 for toilet
12	9 820 071	Insert nut
13	9 820 072	Service brake
14	9 820 136	Adapter DN 90/DN 100 (PP)
15	9 820 332	Module foot w. toggle "left" <b>NEW</b>
16	9 820 333	Module foot w. toggle "right" <b>NEW</b>



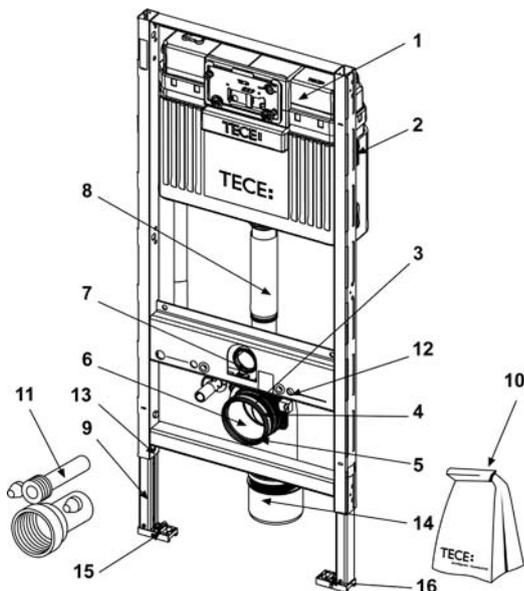
**9 300 009 – toilet Geronto module**

Item	Order No.	Description
1	See ET	Cistern, front-actuated cistern (page 65 ff)
2	9 820 040	Assembly kit for cistern
3	9 820 041	Toilet drain bend holder
4	9 820 042	Bracket for toilet drain bend holder
5	9 820 134	Toilet drain bend DN 90 (PP)
6	9 820 139	Seal for toilet drain bend/adaptor
7	9 820 015	Flush pipe seal
8	9 820 011	Flush pipe with O-ring
9	9 820 335	C-Profil for module foot <b>NEW</b>
10	9 820 043	By-pack for toilet module
11	9 820 057	Connection set DN 90 for toilet
12	9 820 071	Insert nut
13	9 820 072	Service brake
14	9 820 136	Adapter DN 90/DN 100 (PP)
15	9 820 332	Module foot w. toggle "left" <b>NEW</b>
16	9 820 333	Module foot w. toggle "right" <b>NEW</b>



## 9 300 003 - Toilet module with connection for odour extraction

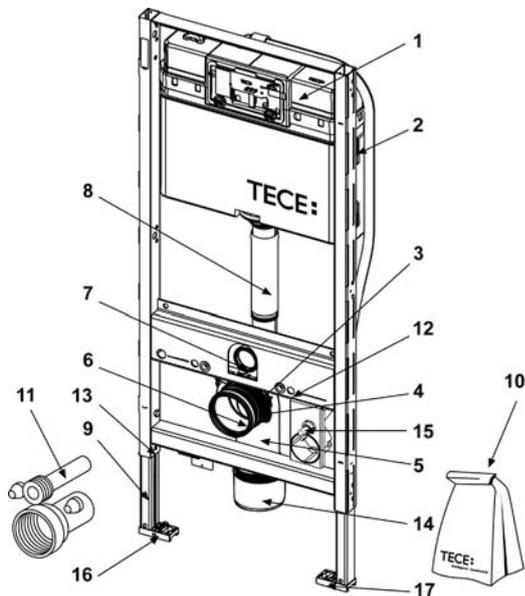
Item	Order No.	Description
1	See ET	Cistern, front-actuated cistern (page 65 ff)
2	9 820 040	Assembly kit for cistern
3	9 820 041	Toilet drain bend holder
4	9 820 042	Bracket for toilet drain bend holder
5	9 820 134	Toilet drain bend DN 90 (PP)
6	9 820 139	Seal for toilet drain bend/adaptor
7	9 820 015	Flush pipe seal
8	9 820 078	Flush pipe with odour extraction DN 70
9	9 820 335	C-Profil for module foot <b>NEW</b>
10	9 820 043	By-pack for toilet module
11	9 820 057	Connection set DN 90 for toilet
12	9 820 071	Insert nut
13	9 820 072	Service brake
14	9 820 136	Adapter DN 90/DN 100 (PP)
15	9 820 332	Module foot w. toggle "left" <b>NEW</b>
16	9 820 333	Module foot w. toggle "right" <b>NEW</b>
-	9 820 126	Flush pipe with odour extraction DN 70 "left"
-	9 820 127	Flush pipe with odour extraction DN 50 "right"



## 9 300 075 – toilet module for Duravit SensoWash C and Geberit AquaClean 8000/8000 plus

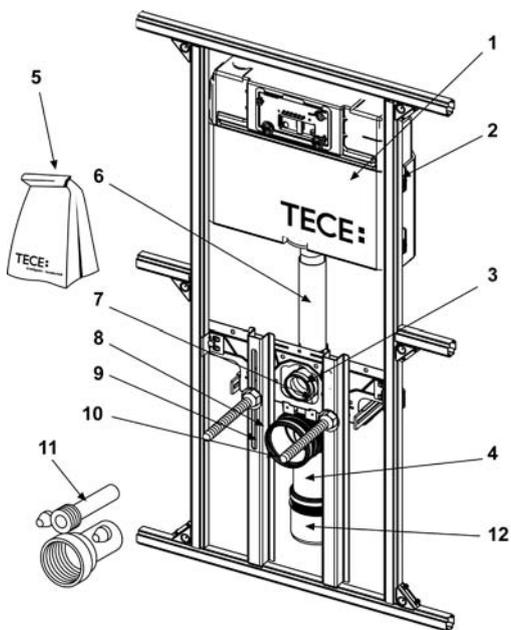
Item	Order No.	Description
1	See ET	Cistern, front-actuated cistern (page 65 ff)
2	9 820 040	Assembly kit for cistern
3	9 820 041	Toilet drain bend holder
4	9 820 042	Bracket for toilet drain bend holder
5	9 820 134	Toilet drain bend DN 90 (PP)
6	9 820 139	Seal for toilet drain bend/adaptor
7	9 820 015	Flush pipe seal
8	9 820 011	Flush pipe with O-ring
9	9 820 335	C-Profil for module foot <b>NEW</b>
10	9 820 043	By-pack for toilet module
11	9 820 057	Connection set DN 90 for toilet
12	9 820 071	Insert nut
13	9 820 072	Service brake
14	9 820 136	Adapter DN 90/DN 100 (PP)
15	9 820 332	Module foot w. toggle "left" <b>NEW</b>
16	9 820 333	Module foot w. toggle "right" <b>NEW</b>

## 9 300 044 – toilet module for TOTO Neorest LE/SE shower toilet, mounting material 1120 mm



Item	Order No.	Description
1	See ET	Cistern, front-actuated cistern (page 65 ff)
2	9 820 040	Assembly kit for cistern
3	9 820 041	Toilet drain bend holder
4	9 820 042	Bracket for toilet drain bend holder
5	9 820 134	Toilet drain bend DN 90 (PP)
6	9 820 139	Seal for toilet drain bend/adaptor
7	9 820 015	Flush pipe seal
8	9 820 011	Flush pipe with O-ring
9	9 820 335	C-Profil for module foot <b>NEW</b>
10	9 820 043	By-pack for toilet module
11	9 820 057	Connection set DN 90 for toilet
12	9 820 071	Insert nut
13	9 820 072	Service brake
14	9 820 136	Adapter DN 90/DN 100 (PP)
15	9 820 259	Control cable <b>NEW</b>
16	9 820 332	Module foot w. toggle "left" <b>NEW</b>
17	9 820 333	Module foot w. toggle "right" <b>NEW</b>

## 9 041 006 – toilet connection unit with cistern

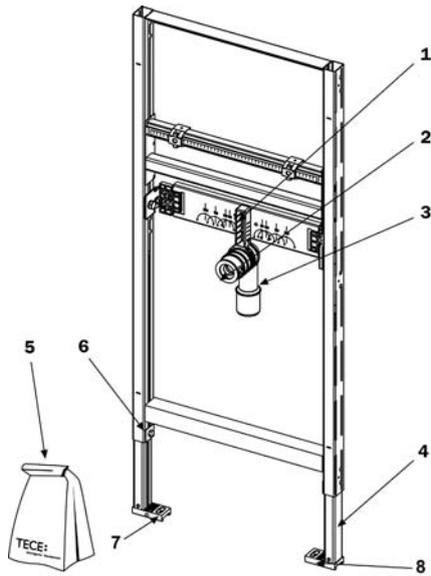


Item	Order No.	Description
1	See ET	Cistern, front-actuated cistern (page 65 ff)
2	9 820 065	Assembly kit for cistern
3	9 820 034	Drain bend holder DN 50
4	9 820 134	Toilet drain bend DN 90 (PP)
5	9 820 066	By-pack for toilet module
6	9 820 011	Flush pipe with O-ring
7	9 820 015	Flush pipe seal
8	9 820 063	Module foot
9	9 820 037	Spacer for the installation of the toilet module feet
10	9 820 139	Seal for toilet drain bend/adaptor
11	9 820 057	Connection set DN 90 for toilet
12	9 820 136	Adapter DN 90/DN 100 (PP)

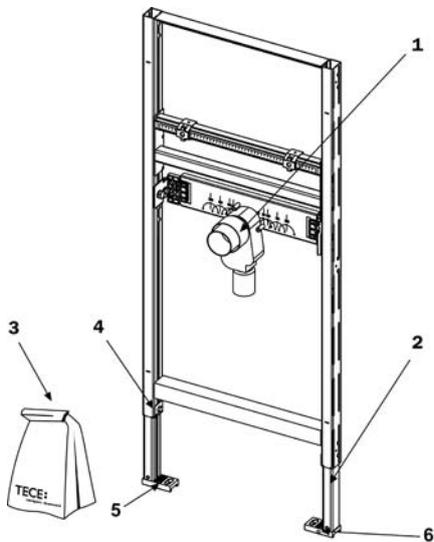
## Washstand modules

**9 310 000 – Washstand module, installation height 1120 mm**

**9 310 011 – Washstand module, installation height 980 mm**

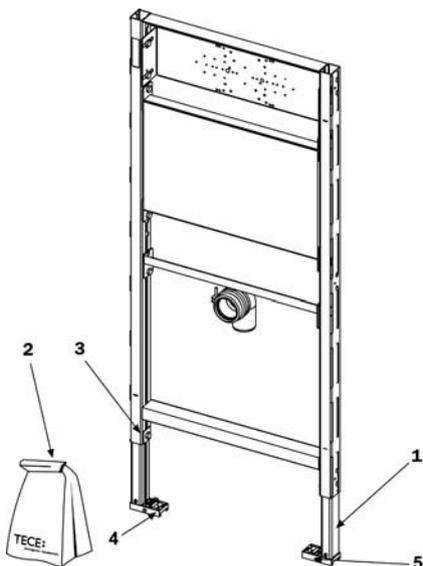


Item	Order No.	Description
1	9 820 034	Drain bend holder DN 50
2	9 820 059	KA rubber sleeve NW 30/50
3	9 820 035	Drain bend DN 50/DN 40
4	9 820 335	C-Profile module feet <b>NEW</b>
5	9 820 067	By-pack for washstand module
6	9 820 072	Service brake
7	9 820 332	Module foot w. toggle "left" <b>NEW</b>
8	9 820 333	Module foot w. toggle "right" <b>NEW</b>



**9 310 004 – Washstand module with flush-mounted odour trap**

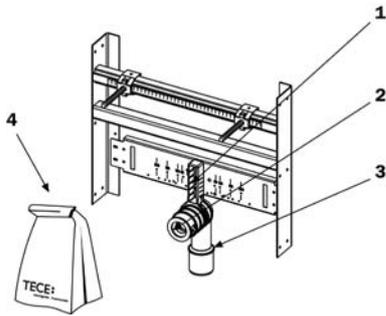
Item	Order No.	Description
1	9 820 070	Flush-mounted siphon (Dallmer)
2	9 820 335	C-Profile module feet <b>NEW</b>
3	9 820 067	By-pack for washstand module
4	9 820 072	Service brake
5	9 820 332	Module foot w. toggle "left" <b>NEW</b>
6	9 820 333	Module foot w. toggle "right" <b>NEW</b>



**9 310 002 – Washstand module for sink**

Item	Order No.	Description
1	9 820 335	C-Profile module feet <b>NEW</b>
2	9 820 067	By-pack for washstand module
3	9 820 072	Service brake
4	9 820 332	Module foot w. toggle "left" <b>NEW</b>
5	9 820 333	Module foot w. toggle "right" <b>NEW</b>

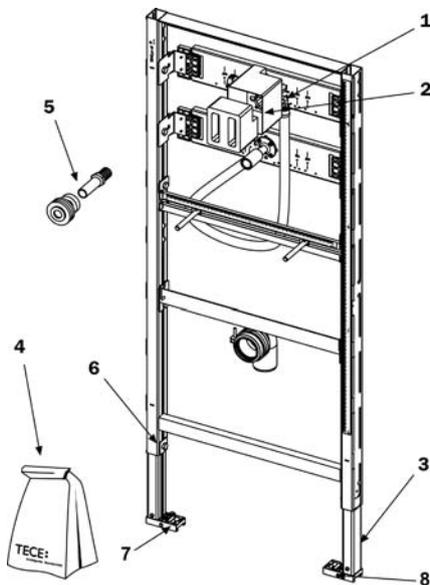
**9 510 003 – Washstand support**



Item	Order No.	Description
1	9 820 034	Drain bend holder DN 50
2	9 820 059	KA rubber collar NW 30/50 for washstand drain bend
3	9 820 035	Drain bend DN 50/DN 40
4	9 820 133	By-pack for washstand support

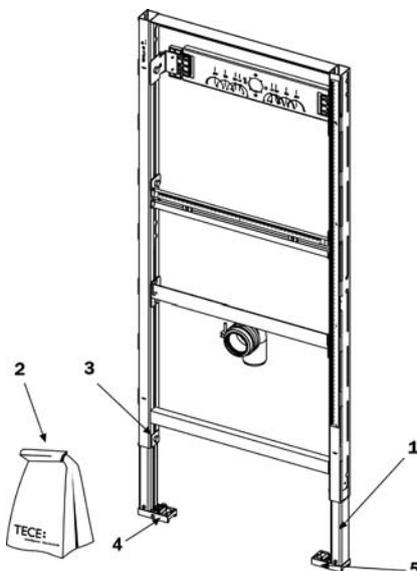
**Urinal modules/connection units**

**9 320 008 – Urinal module**

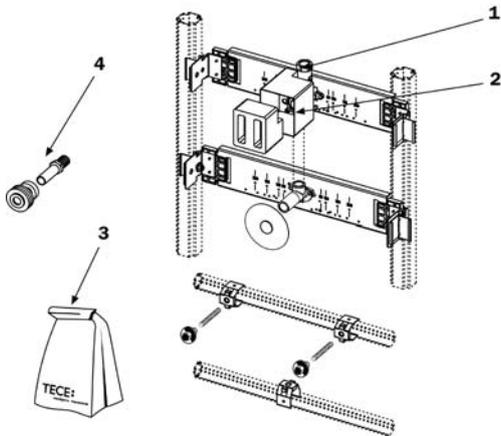


Item	Order No.	Description
1	9 820 074	Urinal flush valve housing with plug
2	9 820 075	Bare-wall protection system, support, screws
3	9 820 335	C-Profile module feet <b>NEW</b>
4	9 820 076	By-pack for urinal module
5	9 820 055	Inlet fittings for urinal, DN 15
6	9 820 072	Service brake
7	9 820 332	Module foot w. toggle "left" <b>NEW</b>
8	9 820 333	Module foot w. toggle "right" <b>NEW</b>

**9 320 010 – Urinal module for external pressure flush valve**

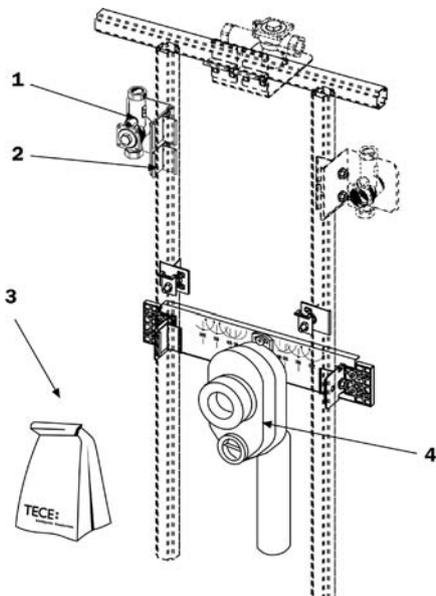


Item	Order No.	Description
1	9 820 335	C-Profile module feet <b>NEW</b>
2	9 820 079	By-pack for external urinal module
3	9 820 072	Service brake
4	9 820 332	Module foot w. toggle "left" <b>NEW</b>
5	9 820 333	Module foot w. toggle "right" <b>NEW</b>



## 9 020 038 – Connection unit for urinal

Item	Order No.	Description
1	9 820 074	Urinal flush valve housing with plug
2	9 820 075	Bare-wall protection system, support, screws
3	9 820 076	By-pack for urinal module
4	9 820 055	Inlet fittings for urinal, DN 15

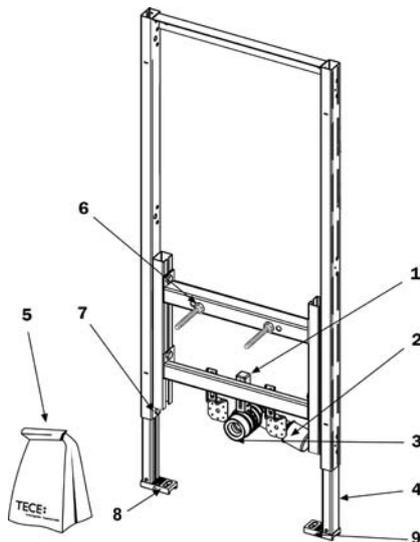


## 9 020 039 - Connection unit for Keramag Joly and Visit urinal

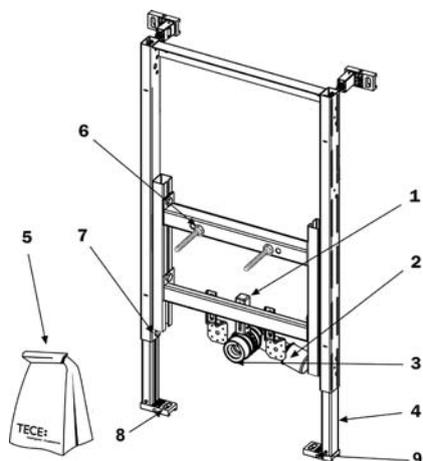
Item	Order No.	Description
1	9 820 074	Urinal flush valve housing with plug
2	9 820 102	Holder for urinal flush valve housing
3	9 820 076	By-pack for urinal module
4	9 820 105	Odour extraction trap DN 50

## Bidet modules

### 9 330 000 – Bidet module, installation height 1120 mm



Item	Order No.	Description
1	9 820 034	Drain bend holder DN 50
2	9 820 035	Drain bend DN 50/DN 40
3	9 820 059	KA rubber sleeve NW 30/50
4	9 820 335	C-Profile module feet <b>NEW</b>
5	9 820 047	By-pack for bidet module
6	9 820 071	Insert nut
7	9 820 072	Service brake
8	9 820 332	Modul foot w. toggle "left" <b>NEW</b>
9	9 820 333	Modul foot w. toggle "right" <b>NEW</b>

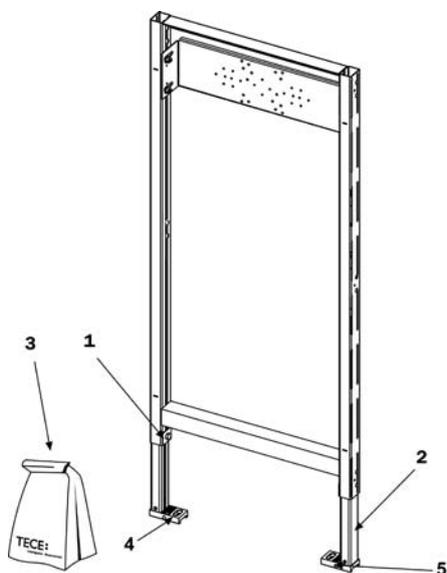


**9 330 005 – Bidet module, installation height 820 mm**

Item	Order No.	Description
1	9 820 034	Drain bend holder DN 50
2	9 820 035	Drain bend DN 50/DN 40
3	9 820 059	KA rubber sleeve NW 30/50
4	9 820 335	C-Profile module feet <b>NEW</b>
5	9 820 047	By-pack for bidet module
6	9 820 071	Insert nut
7	9 820 072	Service brake
8	9 820 332	Module foot w. toggle "left" <b>NEW</b>
9	9 820 333	Module foot w. toggle "right" <b>NEW</b>

**Bath/shower module**

**9 340 000 – Bath/shower module**



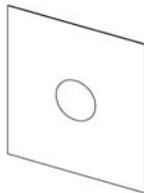
Item	Order No.	Description
1	9 820 335	C-Profile module feet <b>NEW</b>
2	9 820 072	Service brake
3	9 820 096	By-pack for bath/shower module
4	9 820 332	Module foot w. toggle "left" <b>NEW</b>
5	9 820 333	Module foot w. toggle "right" <b>NEW</b>



## TECEprofil component parts

### Mounting set for TECE modules

Order No.	Description
9 820 054	Mounting set



### Seal sleeve for wall disk

Order No.	Description
9 820 125	Seal sleeve for wall disk



### End cap with rubber overlay for TECEprofil section tube

Order No.	Description
9 820 128	End cap with rubber overlay for section tube



### Toilet drain bend DN 90 for dry-wall construction, PP

Order No.	Description
9 820 134	Toilet drain bend DN 90 for dry-wall construction, PP



### Toilet drain bend DN 90 for brick-wall construction, PP

Order No.	Description
9 820 135	Toilet drain bend DN 90 for brick-wall construction, PP



### Flexible toilet drain bend DN 90 for dry-wall construction, PP-HD

Order No.	Description
9 820 317 NEW	Toilet drain bend DN 90 for dry-wall construction, connection piece made of PE-HD



### Seal for flush pipe connection

Order No.	Description
9 820 213	Seal for flush pipe connection



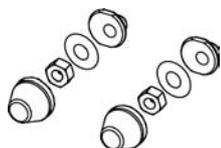
### Toilet flush pipe connection 20 cm, black, PP

Order No.	Description
9 820 246	Seal for toilet flush pipe connection 20 cm



### Extended toilet connection set 30 cm, DN 90, PE

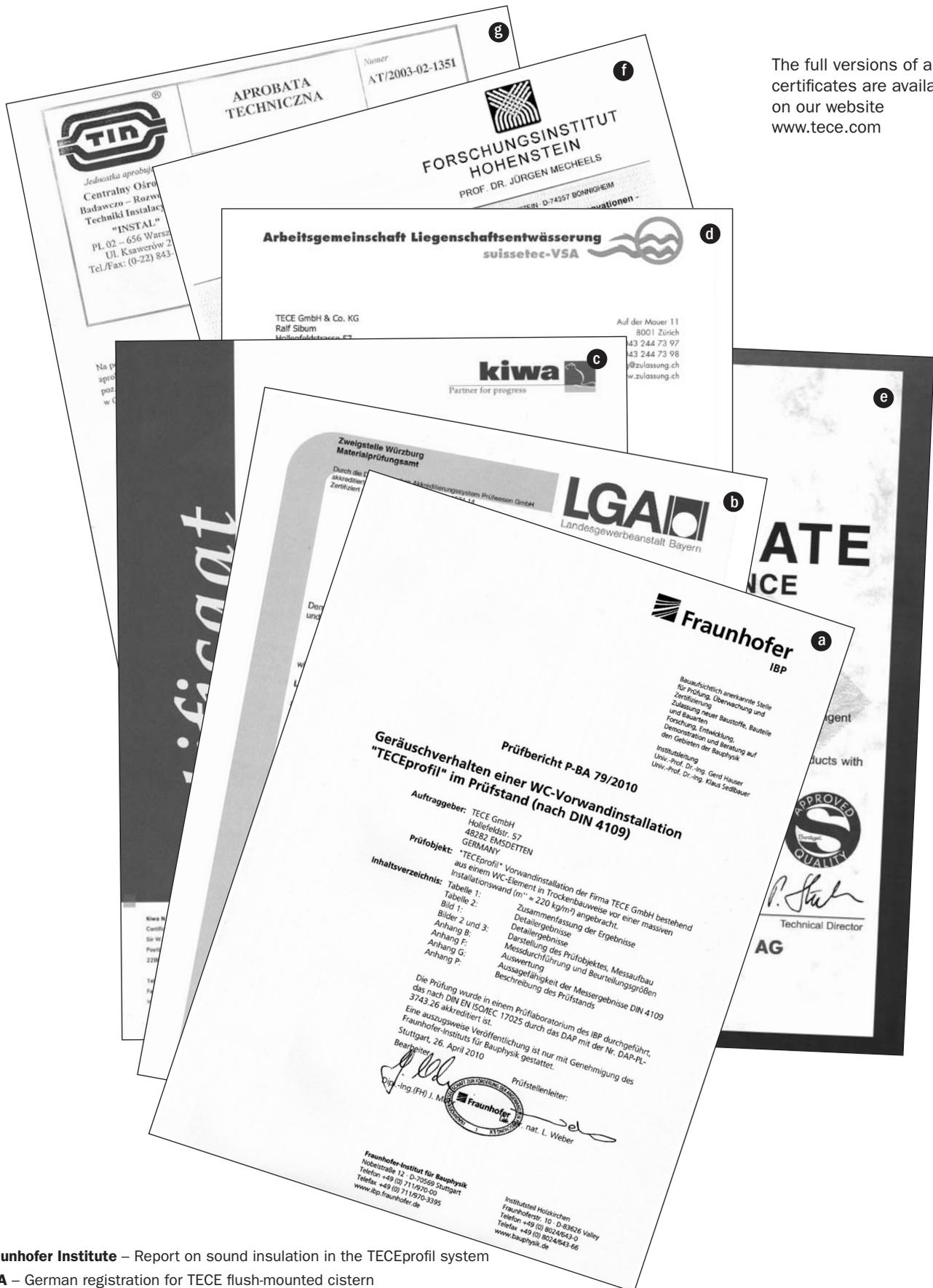
Order No.	Description
9 820 214	Extended toilet connection set 30 cm, DN 90, PE-HD



### Toilet mounting set

Order No.	Description
9 820 245	Toilet mounting set

The full versions of all valid certificates are available on our website [www.tece.com](http://www.tece.com)



- a) **Fraunhofer Institute** – Report on sound insulation in the TECEprofil system
- b) **LGA** – German registration for TECE flush-mounted cistern
- c) **KIWA** – Dutch registration for TECE flush-mounted cistern
- d) **SUISSETEC-VSA** – Swiss registration recommendation for TECE flush-mounted cistern
- e) **Sanitized** – Evidence of manufacturer quality for the TECEantibac push plate
- f) **Forschungsinstitut Hohenstein** – Investigation Report into the efficacy of the TECEantibac push plate
- g) **TIN** – Polish registration for the TECEprofil pre-wall system and flush-mounted cistern



**TECEbox brick-wall construction**  
**Assortment List**

## TECEbox THE BRICK-WALL-MOUNTED CISTERN FROM TECE

The TECE cistern is the heart of the TECEbox brick-wall module and has proven its worth thousands of times in practice.

- Pre-assembled and sealed
- Large 10-litre safety tank
- Cistern made of impact-resistant plastic.
- Low water-consumption dual flush technology, offering either 6.0 or 9.0 litres (large volume) and 3.0 litres (small volume)
- Compatible with commercial spare parts (Standard filling valve, gaskets, etc.)
- Suitable for all TECE push plate series from TECE and the toilet flush handles from various manufacturers
- Sound insulation tested to DIN 4109



## TECEbox plus – BRICK IN, TILE DONE.

Small but practical details make fitting the TECEbox plus easy. The height-adjustable bases make it fast to set the correct installation height accurately.

The assembly area cover that is available as an accessory creates a complete surface of glass fibre light concrete plates. This means that tiling can be done immediately following installation.



Easy to assemble: Bases and angle brackets are adjustable.



Accessories: The practical assembly area cover.



Pre-assembled TECEbox plus with tileable surface.



	Page
TECEbox brick-wall-mounted cistern	58–60
TECEbox plus	61–62
TECEbox washstand	63
TECEbox urinal connection units	63
TECEbox spare parts	64
TECE cistern spare parts	65–66

You can find an overview of valid declaration of performance (DOP) at [www.tece.com](http://www.tece.com)

Notes:

DU 1 = Minimum order quantity per item; sometimes it is not possible to order smaller quantities for technical reasons  
 DU 2 = Euro-pallets for modules

# TECEbox toilet

## TECEbox brick-wall-mounted cistern, front actuation, installation height 1060 mm

For bricked-in pre-wall installation in front of a solid wall.  
For toilet flush handle and TECE push plates.

Components:

- TECE brick-wall-mounted cistern
- Safety tank made of impact-resistant plastic
- Cistern fully pre-assembled and sealed
- Corner valve and cistern connection pre-assembled
- Cistern connection with 1/2" female thread
- 10-litre tank volume; 6-litre pre-set standard flush volume, 4.5, 7.5, 9 litre flush volume can be optimally set at any time; 3-litre partial-flush volume for dual flush technology. Residual volume available for immediate cleaning rinse.
- Insulated against condensation water
- Can be set as a single or dual-flush cistern depending on the push plate used
- Tested to DIN EN 14055
- Fitting group 1 in keeping with German standard DIN 4109 - test certificate P-IX3837/I
- Low-noise hydraulic filling valve  $\leq 17$  dB(A) at a flow pressure of 3 bar
- Galvanised steel frame
- Two M 12 retaining bolts and M 12 nuts, 180 or 230 mm fixing centres
- Toilet drain bend DN 90 with transition piece DN 90/100, made of PP
- Transition piece also suitable for horizontal installation
- DN 90 toilet connection set including protective plug

Please order separately:

- Toilet push plate (see TECE push plates)

Tip: Ideal for assembly in rows by fixing directly with corner joints and TECEprofil tube as an aid to alignment.

Order No.	DU 1	DU 2	DU 3
9 370 000	1 pc.	10 pcs.	60 pcs.

## TECEbox assembly feet for brick-wall-mounted cistern 9 370 000

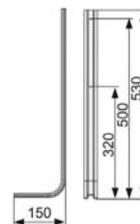
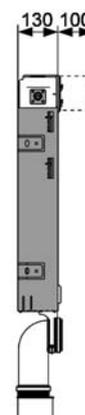
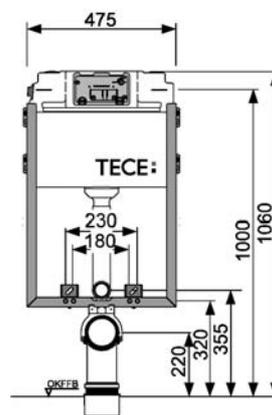
Assembly aid for installing TECEbox brick-wall-mounted cisterns.

Components:

- Two galvanised assembly feet
- Mounting material to attach to the ground

Caution: TECEbox assembly feet are not suitable for assembly in a TECEprofil or post-and-beam wall.

Order No.	DU 1	DU 2	DU 3
9 030 024	1 set	--	--

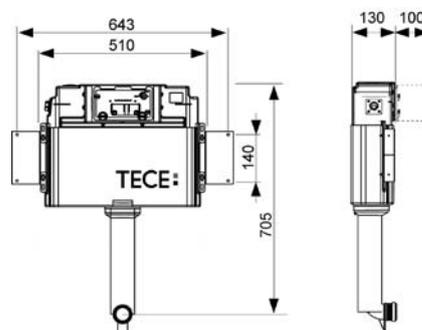


### TECE brick-wall construction cistern for floor-standing toilet, front actuation

For the installation in a bricked-in pre-wall construction in front of a solid wall. For flush handle and TECE push plates.

Components:

- Safety tank made of impact-resistant plastic
- Cistern fully pre-assembled and sealed
- Corner valve and cistern connection pre-assembled, cistern connection with 1/2" female thread
- 10-litre tank volume; pre-set 6-litre standard flush volume; 4.5/7.5/9 -litre flush volume can be set as an option at any time; 3-litre part-flush with dual flush technology
- Residual volume available for immediate cleaning rinse.
- Insulated against condensation water
- Can be set as a single or dual flush cistern depending on the push plate used
- Tested in accordance with EN 14055
- Fitting group 1 in accordance with DIN 4109 - test certificate P-IX3837/I
- Low-noise hydraulic fill valve  $\leq 17$  dB(A) at a flow pressure of 3 bar
- Incl. wall attachment - mounting plate and mounting material
- Flush pipe splashproof



Order No.	DU1	DU2	DU3
9 041 008	1 pc.	10 pcs.	60 pcs.

# TECEbox toilet

## TECEbox brick-wall-mounted cistern, installation height 820 mm

Top or front actuation, for bricked-in pre-wall installation in front of a solid wall, height-adjustable. For toilet flush handle and TECE push plates.

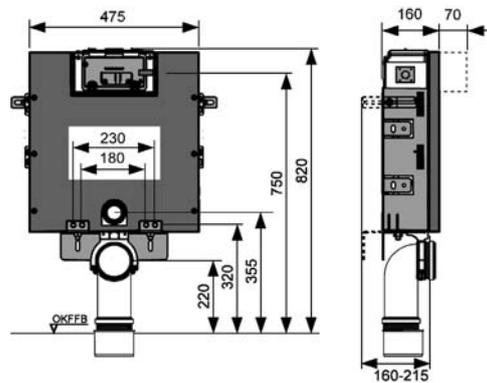
Components:

- TECE brick-wall-mounted cistern, hydraulically optimised for low installation heights
- Depending on assembly, it can be used with top or front flush controls
- 6-litre pre-set standard flush volume
- 4.5/7.5/9-litre flush volume can be set as an option at any time; 3-litre part-flush with dual-flush technology. Residual volume available for immediate cleaning rinse.
- Front tile base made of 30 mm structural board
- Toilet drain bend DN 90 with transition piece DN 90/100, made of PP - tested to DIN EN 14055
- Transition piece also suitable for horizontal installation
- DN 90 toilet connection set including protective plug

Please order separately:

- Toilet push plate (see TECE push plates)

Caution: If the push plate is fitted in front and a compact ceramic system is used in the case of cisterns with a low installation height, the toilet lid may occasionally drop down unintentionally. When using compact ceramic systems (e.g.: Ideal-Standard: SAN REMO slimline R 3493; V&B: Viala 765310, Viala 765210; Keramag: Renova-Comprimo 204550; Joly 203060) fit push plate with top actuation only.



Order No.	DU 1	DU 2	DU 3
9 375 000	1 pc.	10 pcs.	60 pcs.

**TECEbox plus brick-wall-mounted cistern, front actuated, with front panels made of glass-fibre light concrete plate.**

For bricked-in pre-wall installation. Closed surface suitable for tiling. For flush handle and TECE push plates.

**Components:**

- TECE brick-wall-mounted cistern
- Safety tank made of impact-resistant plastic
- Cistern fully pre-assembled and sealed
- Corner valve and cistern connection pre-assembled
- Cistern connection with 1/2" female thread
- 10-litre tank volume; 6-litre pre-set standard flush volume, 4.5, 7.5, 9 litre flush volume can be optimally set at any time; 3-litre partial-flush volume for dual flush technology. Residual volume available for immediate cleaning rinse.
- Insulated against condensation water
- Can be set as a single or dual-flush cistern depending on the push plate used
- Tested to DIN EN 14055
- Fitting group 1 in keeping with German standard DIN 4109 - test certificate P-IX3837/I
- Low-noise hydraulic filling valve  $\leq 17$  dB(A) at a flow pressure of 3 bar.
- Galvanised steel frame
- Two M 12 retaining bolts and M 12 nuts, 180 or 230 mm fixing centres
- Toilet drain bend DN 90 with transition piece DN 90/100, made of PP
- Transition piece also suitable for horizontal installation
- DN 90 toilet connection set including protective plug
- Including pre-assembled height-adjustable supporting feet

Please order separately:

- TECEbox plus build space cover, Order No. 9 200 012
- Toilet push plate (see TECE push plates)

Order No.	DU 1	DU 2	DU 3
9 371 000	1 pc.	10 pcs.	60 pcs.

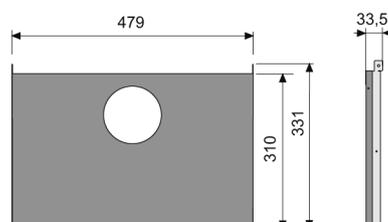
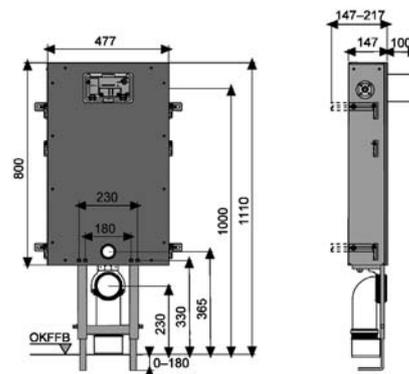
**Assembly area cover TECEbox plus**

Steel sheet with screw-on glass fibre light concrete plate. To face the entire surface of the lower build space of the TECEbox plus. Suitable for immediate tiling.

**Components:**

- Steel sheet with screw-on glass fibre light concrete plate.
- Mounting material

Order No.	DU 1	DU 2	DU 3
9 200 012	1 pc.	10 pcs.	60 pcs.



## Repair set for cisterns made of PP

For the elimination of damage (e.g. from drilling) up to a diameter of approx. 12 mm

Components:

- Five plastic discs
- Sandpaper
- Hot glue gun
- Two glue sticks
- Cleaner (125 ml)
- Two cloths



Order No.	DU1	DU2	DU3
9 221 013	1 pc.	--	--

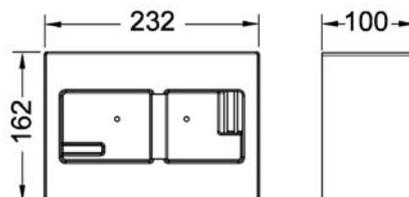
## Bare-wall protection system for brick-wall constructions for flush-mounted installation

Larger bare-wall protection system to prepare the installation of the installation frame for toilet push plates. Suitable for use with TECE brick-wall-mounted cisterns (Order No. 9 370 000, 9 371 000, 9 375 000)

### Caution!

**Thickness of finish at least 25 mm!**

Order No.	DU 1	DU 2
9 030 029	1 pc.	--



## TECEbox urinal flush valve housing for brick-wall construction with retaining clip

To fit the TECE urinal flush valve to brick-wall constructions

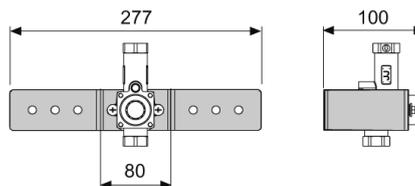
Components:

- TECE urinal flush valve housing with inlet flow control and bare-wall protection system
- Galvanised steel retaining clip

Please order separately:

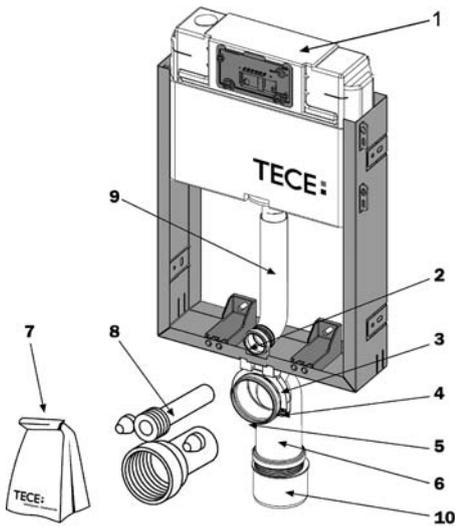
- Manual actuation or electronics (see TECE push plates)

Order No.	DU 1	DU 2	DU 3
9 370 021	1 pc.	--	--



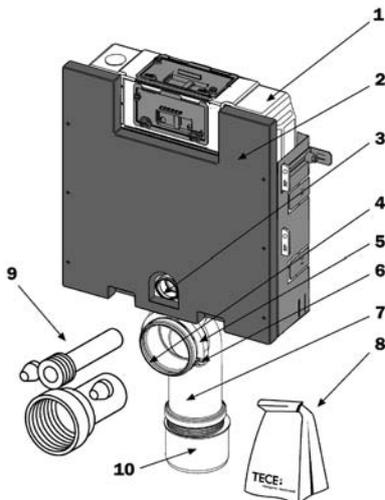
## Brick-wall-mounted cistern TECEbox

### 9 370 000 – Brick-wall-mounted cistern, installation height 1060 mm



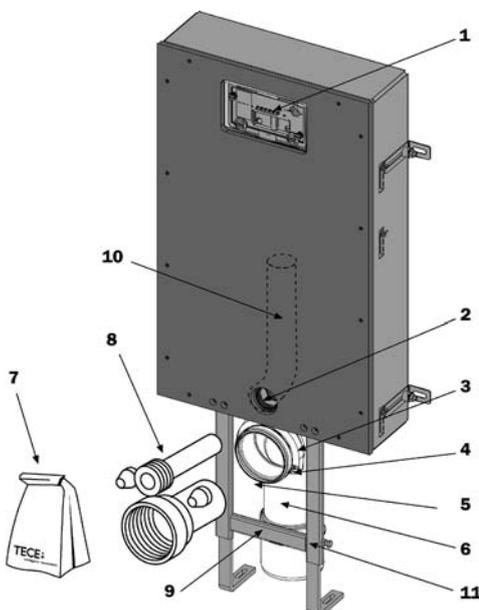
Item	Order No.	Description
1	See ET	Cistern, front-actuated cistern (page 65 ff.)
2	9 820 015	Flush pipe seal
3	9 820 048	Toilet drain bend holder
4	9 820 049	Bracket for toilet drain bend holder
5	9 820 139	Seal for toilet drain bend / adapter
6	9 820 135	Toilet drain bend DN 90 (PP)
7	9 820 051	By-pack for brick-wall-mounted cistern
8	9 820 057	Connection set DN 90 for toilet
9	9 820 011	Flush pipe with O-ring
10	9 820 136	Adapter DN 90 / DN 100

### 9 375 000 – Brick-wall-mounted cistern, installation height 820 mm



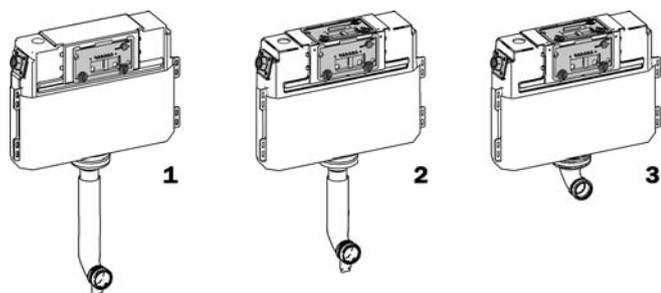
Item	Order No.	Description
1	See ET	Cistern, front or top actuated cistern (page 65 ff.)
2	9 820 050	Structural board with screws
3	9 820 015	Flush pipe seal
4	9 820 139	Seal for toilet drain bend / adapter
5	9 820 048	Toilet drain bend holder
6	9 820 049	Bracket for toilet drain bend holder
7	9 820 135	Toilet drain bend DN 90 (PP)
8	9 820 043	By-pack for toilet module
9	9 820 057	Connection set DN 90 for toilet
10	9 820 136	Adapter DN 90 / DN 100

### 9 371 000 – Brick-wall-mounted cistern with front facing



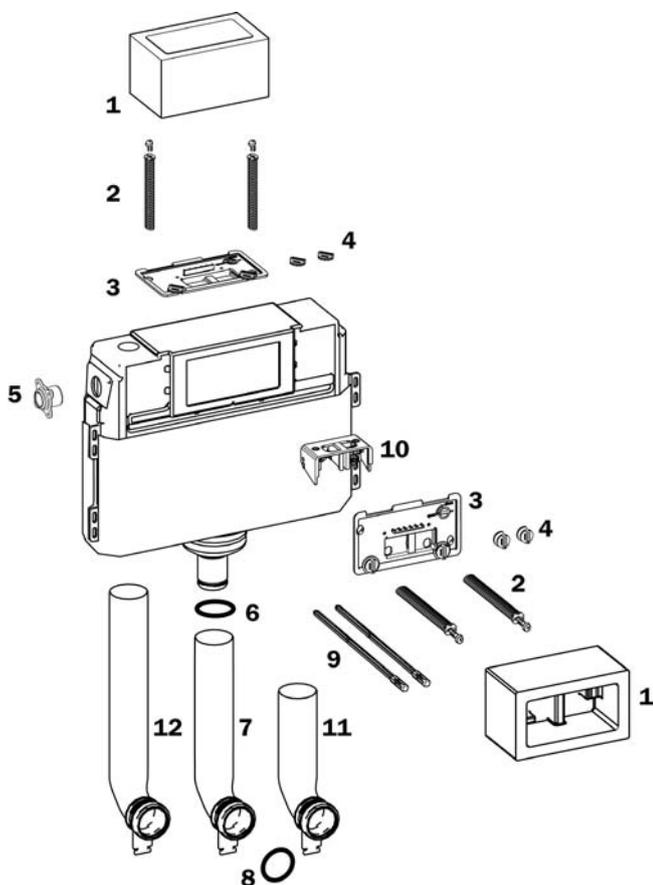
Item	Order No.	Description
1	See ET	Cistern, front-actuated cistern (page 65 ff.)
2	9 820 015	Flush pipe seal
3	9 820 048	Toilet drain bend holder
4	9 820 049	Bracket for toilet drain bend holder
5	9 820 139	Seal for toilet drain bend / adapter
6	9 820 135	Toilet drain bend DN 90 (PP)
7	9 820 051	By-pack for brick-wall-mounted cistern
8	9 820 057	Connection set DN 90 for toilet
9	9 820 073	TECEbox plus bases
10	9 820 011	Flush pipe with O-ring
11	9 820 136	Adapter DN 90 / DN 100

## TECE cistern



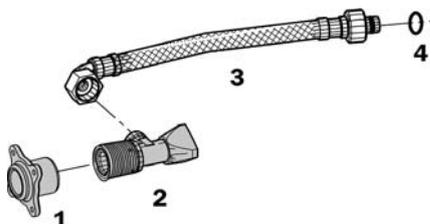
### TECE cistern, complete

Item	Order No.	Description
1	9 820 103	Cistern 1120
2	9 820 101	Cistern 980
3	9 820 100	Cistern 820



### TECE cistern, component parts

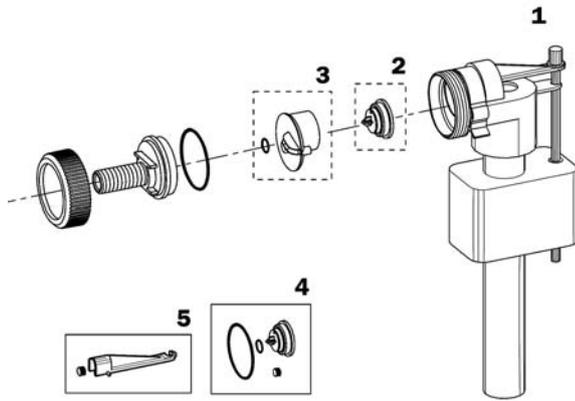
Item	Order No.	Description
1	9 820 027	Bare-wall protection system
2	9 820 019	Attaching rods
3	9 820 017	Cistern lid
4	9 820 018	Clamping screws
5	9 820 012	Cistern connection
6	9 820 014	O-ring seal
7	9 820 011	Flush pipe, length 269 mm
8	9 820 015	Sealing ring
9	9 820 022	Actuation rods
10	9 820 016	Actuation block
11	9 820 099	Flush pipe, length 185 mm
12	9 820 099	Extended flushing pipe with o-ring NEW



### TECE cistern, inlet fittings

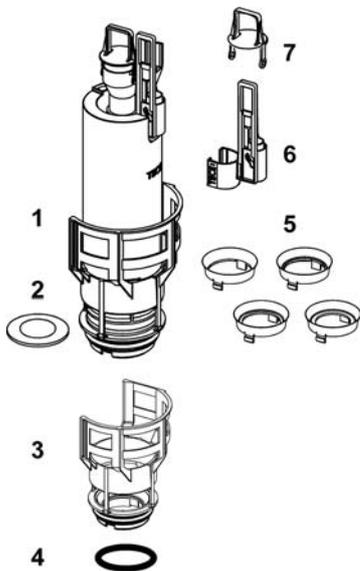
Item	Order No.	Description
1	9 820 012	Cistern connection
2	9 820 013	Corner valve
3	9 820 026	Reinforced hose
4	9 820 025	O-ring seal

# TECE cistern spare parts



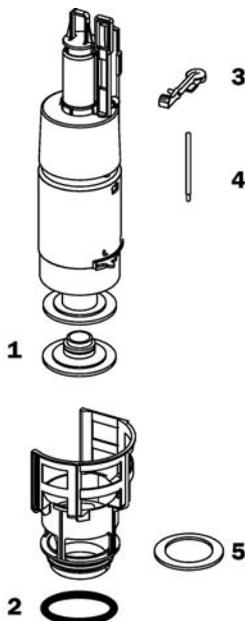
## Filling valve F1

Item	Order No.	Description
1	9 820 006	Filling valve F1, complete
2	9 820 007	Top-hat membrane
3	9 820 008	Packer
4	9 820 009	Sealing set
5	9 820 010	Lever



## Drain valve A2

Item	Order No.	Description
1	9 820 223	Drain valve A2, with valve seat and throttle set
2	9 820 233	Gasket (drain valve)
3	9 820 231	Valve seat with standard throttle (Ø 42 mm)
4	9 820 005	O-ring (valve seat)
5	9 820 230	Throttle set
6	9 820 229	Pull rod for electrical actuation
7	9 820 222	Draw eyelet <b>NEW</b>



## Drain valve A1

Item	Order No.	Description
1	9 820 003	Packer
2	9 820 005	O-ring (valve seat)
3	9 820 004	Guide valve
4	9 820 132	Setting pin (10 pc)
5	9 820 029	Flush-pipe throttle



TECEbox 8 cm

## TECEbox 8 cm Assortment List

**TECE:**

Intelligente Haustechnik

# TECEbox 8 cm – product description

## The 8 cm flush-mounted cistern from TECE fits in every wall.

The TECE cistern is extremely flat and thus ideal for installation in 8 cm masonry. The construction is based on German know-how and is the product of many years of experience of TECE in the field of flushing technology.

- Completely pre-mounted cistern – simply connect it up and that's it!
- Water saving dual flush system (4.5/3 litres, 6/3 and 9/3 litres)
- 9.5 litre safety tank, enough water when it matters
- Smallest push plates on the market
- Easy servicing on account of bendable drain valve
- Low-noise hydraulic fill valve
- Single or dual flush system – using the same internal mechanism
- The standard setting is 6/3 litres



Installation in a brick wall for example.

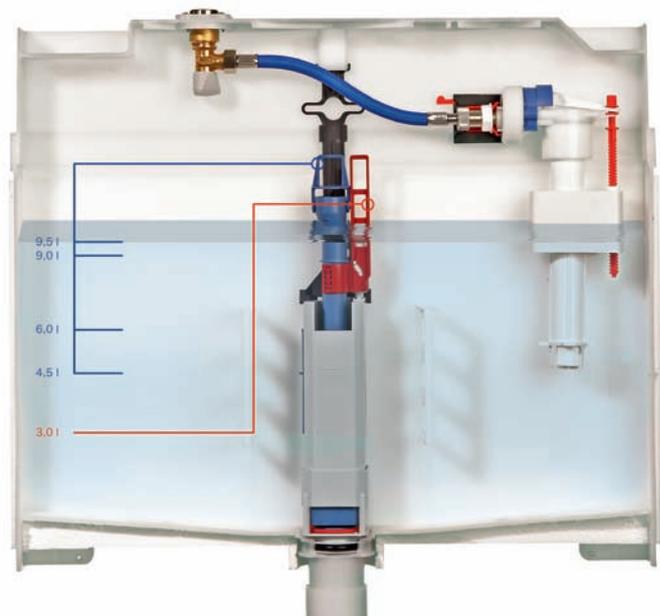


Adjustment of the flushing volume at the drain valve.

## Saving water when possible, flushing well when necessary.

- The TECE cistern can be set to a high flush volume (9 litres) if required. This means that reliable flushing of the drainpipes is ensured even under less than ideal conditions.
- Dual flush option to save water (4.5/3, 6/3 or 9/3 litres).
- Single flush option: Complete certainty with every flush – choice of either 4.5/6 or 9 litres.
- Residual water volume for additional flushing power, can be used for immediate after-flush when required.

## Clearly arranged equipment: The TECE 8 cm cistern on the inside.





	Page
<hr/> <u>8 cm – brick-wall-mounted cisterns</u>	<u>70–71</u>
<hr/> <u>8 cm – toilet and bidet module</u>	<u>72–73</u>
<hr/> <u>8 cm – washstand module and accessories</u>	<u>74–75</u>
<hr/> <u>Spare parts</u>	<u>76–78</u>

You can find an overview of valid declaration of performance (DOP) at [www.tece.com](http://www.tece.com)

**Notes:**

Delivery unit 1 (DU1) = Minimum order quantity per item; sometimes it is not possible to order smaller quantities for technical reasons  
Delivery unit 2 (DU2) = Euro-pallets for modules

# TECEbox 8 cm – brick-wall-mounted cistern

## Brick-wall-mounted cistern TECEbox basic for floor-standing toilet to be embedded in the wall, depth 8 cm, front actuation

For installation in a brick wall or in front of a solid wall  
For flush handles and TECE push plates

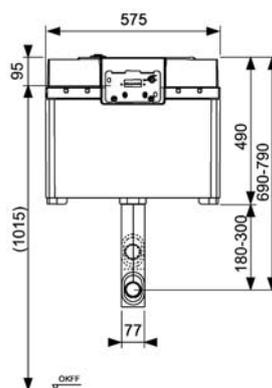
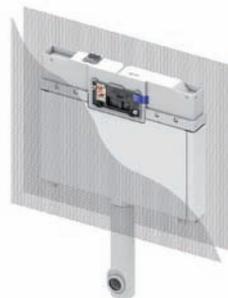
Components:

- TECE brick-wall-mounted cistern 8 cm
- Cistern completely pre-assembled and sealed
- Safety tank made of high-impact resistant plastic, cistern connection with 1/2" female thread
- Flush pipe height-adjustable and shortenable, armouring net
- 9.5 litre cistern volume: 6 litre pre-set standard flushing volume, 4.5/6 and 9 litre flush volume to be adjusted at any time, 3 litre partial flush volume in dual flush system, residual volume to be used for immediate cleaning flush
- Cistern and flush pipe insulated against condensation water
- tested to DIN EN 14055
- Depending on the push plate to be used as single or dual flush system, low-noise hydraulic fill valve  $\leq 17$  dB(A) at 3 bar flow pressure

Please order separately:

- Push plate (see TECE push plates)
- TECEbox flush pipe connection

Order No.	DU1	DU2
9 370 007	1 pc.	10 pcs.



## Brick-wall-mounted cistern TECEbox for wall-hung toilet, depth 8 cm, front actuation

For installation in a brick-built wall or in front of a solid wall  
For flush handles and TECE push plates

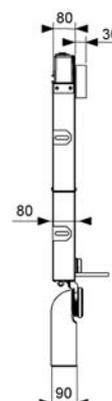
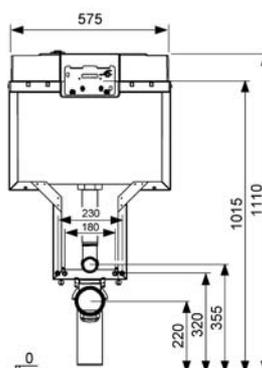
Components:

- TECE brick-wall-mounted cistern 8 cm
- Safety tank made of high-impact resistant plastic, cistern connection with 1/2" female thread, armouring net
- 9.5 litre cistern volume: 6 litre pre-set standard flushing volume, 4.5/6 and 9 litre flush volume to be adjusted at any time, 3 litre partial flush volume in dual flush system, residual volume to be used for immediate cleaning flush
- tested to DIN EN 14055
- Insulated against condensate water
- Depending on the push plate to be used as a single or dual flush system
- Low-noise hydraulic fill valve  $\leq 17$  dB(A) at 3 bar flow pressure
- Drain bend DN 90/90
- Toilet connection fitting DN 90; including protective plug
- Mounting space 180 or 230 mm

Please order separately:

- Push plate (see TECE push plates)
- TECEbox supporting feet
- TECEprofil sound insulation kit

Order No.	DU1	DU2
9 370 008	1 pc.	10 pcs.



# TECEbox 8 cm – brick-wall-mounted cistern

TECEbox 8 cm

## Brick-wall-mounted cistern TECEbox plus, sound-insulated, depth 80 mm, front actuation

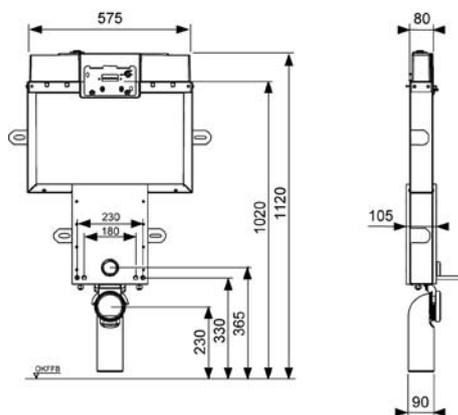
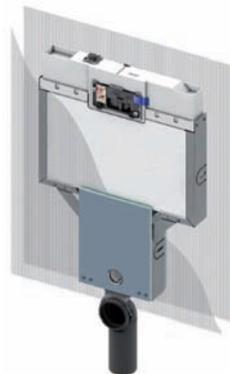
For installation in a brick-built wall or in front of a solid wall  
For flush handles and TECE push plates

Components:

- TECE brick-wall-mounted cistern 8 cm
- Lower construction space sound-insulated and lined
- Safety tank made of high-impact resistant plastic, cistern connection with 1/2" female thread, armouring net
- 9.5 litre cistern volume: 6 litre pre-set standard flushing volume, 4.5/6 and 9 litre flush volume to be adjusted at any time, 3 litre partial flush volume in dual flush system, residual volume to be used for immediate cleaning flush
- Tested to DIN EN 14055
- Cistern insulated against condensate water
- Depending on the push plate to be used as single or dual flush system, low-noise hydraulic fill valve  $\leq 17$  dB(A) at 3 bar flow pressure
- Drain bend DN 90/90
- Toilet connection fitting DN 90; including protective plug
- Sound insulation kit
- Mounting space 180 or 230 mm

Please order separately:

- Push plate (see TECE push plates)
- TECEbox supporting feet



Order No.	DU1	DU2
9 370 009	1 pc.	10 pcs.

## TECEbox supporting feet for 8 cm brick-wall-mounted cistern with steel groove

Suitable for 9 370 008 and 9 370 009

Steel version, height-adjustable, including mounting material



Order No.	DU1	DU2
9 030 026	1 pc.	--

# TECEprofil 8 cm – toilet module and TECEbox 8 cm – bidet module

## TECEprofil toilet module, with 8 cm cistern

To be mounted in a metal or wooden supporting wall or in front of a solid wall

For flush handles and all TECE push plates.

Complete pre-mounted unit, components:

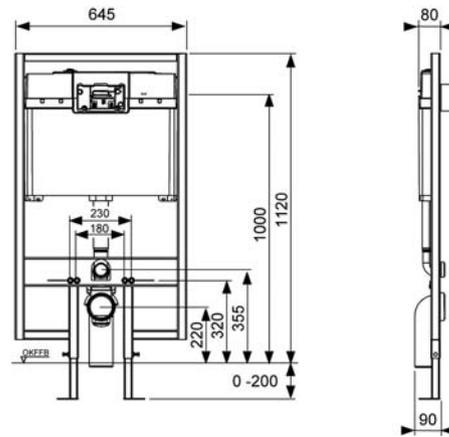
- TECE flush-mounted cistern for front actuation
- Safety tank made of high-impact resistant plastic
- Cistern complete pre-mounted and sealed, corner valve and cistern connection pre-mounted
- Cistern connection with 1/2" female thread
- 9.5 litre cistern volume: 6 litre pre-set standard flush volume, 4.5/6 and 9 litre flushing volume to be adjusted as an option at any time; 3 litre partial volume flush in dual flush system
- Residual volume to be use for immediate cleaning flush
- Tested to DIN EN 14055
- Cistern insulated against condensate water
- Depending on the push plate to be used as single or dual flush system, low-noise hydraulic fill valve  $\leq 17$  dB(A) at 3 bar flow pressure

Module consisting of:

- Self-supporting mounting frame with powder-coated surface
- Mounting space 180 or 230 mm
- Drain bend DN 90/90
- Toilet connection set DN 90
- Fastening for pre-wall installation (see item 9 380 007)

Please order separately:

- Push plate (see TECE push plates)
- TECEprofil sound insulation kit



Order No.	DU1	DU2
9 300 040	1 pc.	10 pcs.

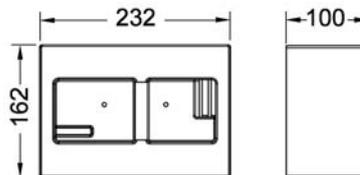
## Brick-wall protection for bare-wall cisterns for flush-mounted installation

Larger bare-wall protection to prepare the installation of the installation frame for toilet push plates.

Suitable for use with TECE brick-wall-mounted cisterns (order no. 9 370 000, 9 370 007, 9 370 008, 9 370 009, 9 371 000, 9 375 000)

### Caution!

**Thickness of finish at least 25 mm!**



Order No.	DU1
9 030 029	1 pc.

# TECEprofil 8 cm – toilet module and TECEbox 8 cm – bidet module

## Brick-wall construction bidet module TECEbox, depth 8 cm

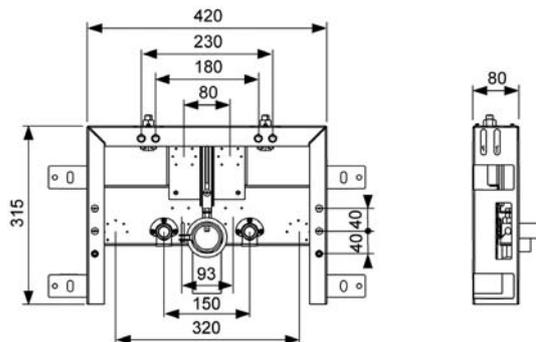
To be mounted in the wall or in front of a massive wall.

Components:

- Surrounding steel groove
- Drain bend 50 mm including flush pipe seal
- Two wall disks 1/2" x 1/2" female thread
- Mounting material
- Cover rosettes



Order No.	DU1	DU2
9 370 031	1 pc.	10 pcs.



# TECEbox 8 cm – washstand module and accessories

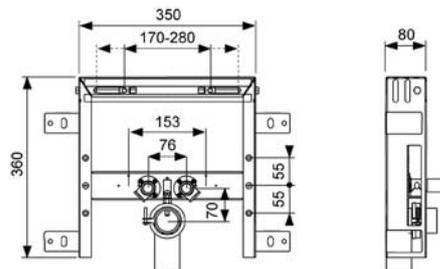
## Brick-wall construction washstand module TECEbox, 8 cm depth

To be embedded in the wall or set up in front of a solid wall.

Components:

- Surrounding steel groove
- Washstand mounting spacing adjustable
- Two wall disks 1/2" x 1/2" female thread
- Drain bend  $\varnothing$  50 mm including flush pipe seal, mounting material

Order No.	DU1	DU2
9 370 032	1 pc.	10 pcs.
9 370 033 (without wall disk)	1 pc.	10 pcs.



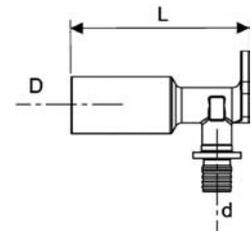
## TECEprofil system wall disk

Long dry-wall construction disk for customer to mount with washstands, bidet and externally mounted fittings in the TECEprofil system.

Components:

- Wall disk TECEflex 16 x 1/2", long or TECE 1/2" x 1/2", long or TECElogo 16 x 1/2", long or TECElogo 20 universal connection x 1/2"
- Self-adhesive seal collar to seal between panel and wall disk
- Mounting material
- Cover plug

Order No.	DU1	DU2
9 021 017	1 pc.	20 pcs.



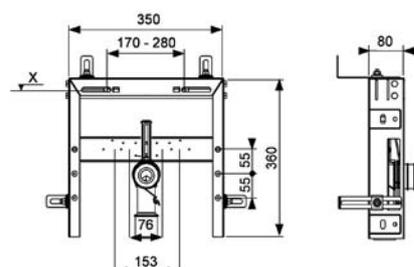
## Brick-wall construction frame TECEbox for washstand

To be mounted in front of a solid wall, with four depth-adjustable wall attachments, installation depth 8–19 cm, ceramic mounting spacing 17–28 cm

Components:

- Surrounding steel frame
- DN 40/50 connecting elbow with NW 30/50 rubber collar (also serves as a seal) including protective stopper
- Two threaded rods M 10 for ceramic mounting
- Mounting material

Order No.	DU 1	DU 2
9 370 033	1 pc.	--



# TECEbox 8 cm – washstand module and accessories

## TECEbox flush pipe connection pipe

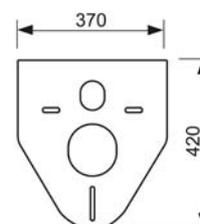
For floor-standing toilets, white, including flush pipe seal and cover rosette.



Order No.	DU1	DU2
9 221 011	1 pc.	--

## TECEprofil sound insulation kit for toilet and bidet

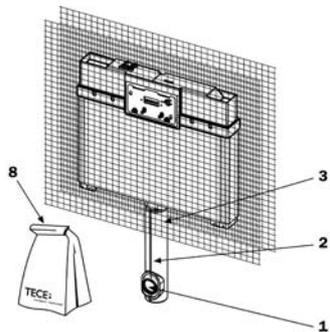
For sound insulation between toilet or bidet ceramics and file cover.



Order No.	DU1	DU2
9 200 010	1 pc.	--

TECEbox 8 cm

# TECEbox – spare parts for 8 cm modules

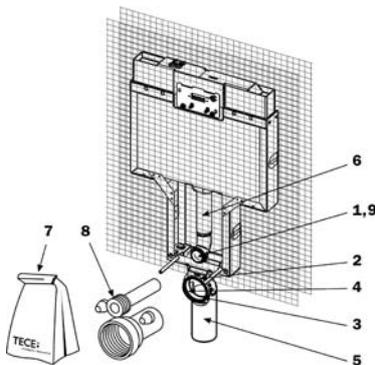


## 9 370 007

### Brick-wall-mounted cistern, depth 8 cm

For floor-standing toilets

Item	Order No.	Description
1	9 820 015	Flush pipe seal
2	9 820 251	Flush pipe PE-HD with flush pipe seal
3	9 820 143	Polystyrene protection for flush pipe
4	9 820 144	By-pack for cistern 8 cm

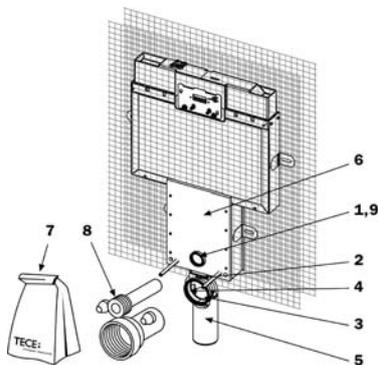


## 9 370 008

### Brick-wall-mounted cistern, depth 8 cm

For wall-hung toilet

Item	Order No.	Description
1	9 820 015	Flush pipe seal
2	9 820 256	Toilet drain bend holder
3	9 820 049	Bracket for toilet drain bend holder
4	9 820 139	Seal for toilet drain bend/adaptor
5	9 820 150	Toilet drain bend PE-HD DN 90/90
6	9 820 192	Flush pipe PP with flush pipe seal
7	9 820 146	By-pack for brick-wall-mounted cistern 8 cm
8	9 820 057	Connection fitting DN 90 for toilet
9	9 820 255	Flush pipe holder

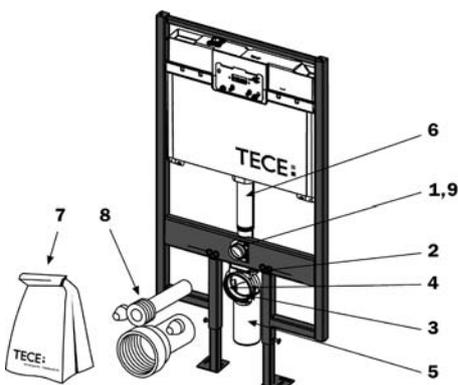


## 9 370 009

### Brick-wall-mounted cistern, sound-insulated, depth 8 cm

For wall-hung toilet

Item	Order No.	Description
1	9 820 015	Flush pipe seal
2	9 820 256	Toilet drain bend holder
3	9 820 049	Bracket for toilet drain bend holder
4	9 820 139	Seal for toilet drain bend/adaptor
5	9 820 150	Toilet drain bend PE-HD DN 90/90
6	9 820 192	Flush pipe PP with flush pipe seal
7	9 820 146	By-pack for brick-wall-mounted cistern 8 cm
8	9 820 057	Connection fitting DN 90 for toilet
9	9 820 255	Flush pipe holder

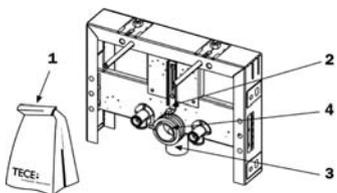


## 9 300 040

### Toilet module TECEprofil with 8 cm cistern

Item	Order No.	Description
1	9 820 015	Flush pipe seal
2	9 820 145	Toilet drain bend holder
3	9 820 049	Bracket for toilet drain bend holder
4	9 820 139	Seal for toilet drain bend/adaptor
5	9 820 150	Toilet drain bend PE-HD DN 90/90
6	9 820 192	Flush pipe PP with flush pipe seal
7	9 820 146	By-pack for toilet module with 8 cm cistern
8	9 820 057	Connection fitting DN 90 for toilet
9	9 820 254	Flush pipe holder

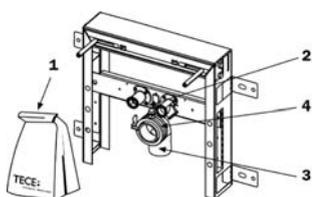
# TECEbox – spare parts for 8 cm bidet and washstand modules



## 9 370 031

### TECEbox brick-wall construction bidet module depth 8 cm

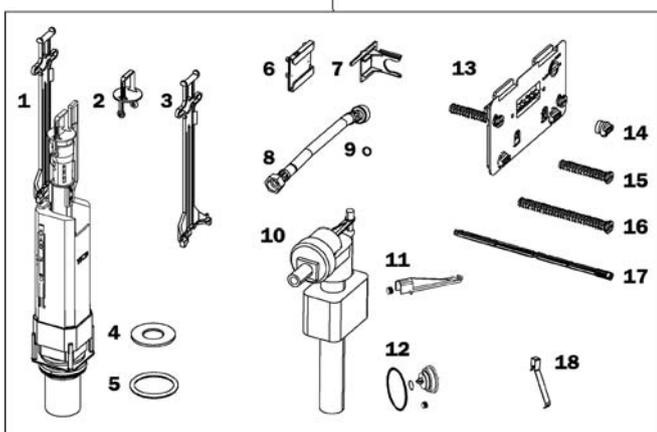
Item	Order No.	Description
1	9 820 148	By-pack for brick-wall construction bidet module
2	9 820 149	Clamp for drain bend
3	9 820 151	Drain bend 50 mm
4	9 820 152	Rubber sleeve



## 9 370 032

### Brick-wall construction washstand module TECEbox, depth 8 cm

Item	Order No.	Description
1	9 820 153	By-pack for brick-wall construction washstand module
2	9 820 149	Clamp for drain bend
3	9 820 151	Drain bend 50 mm
4	9 820 152	Rubber sleeve

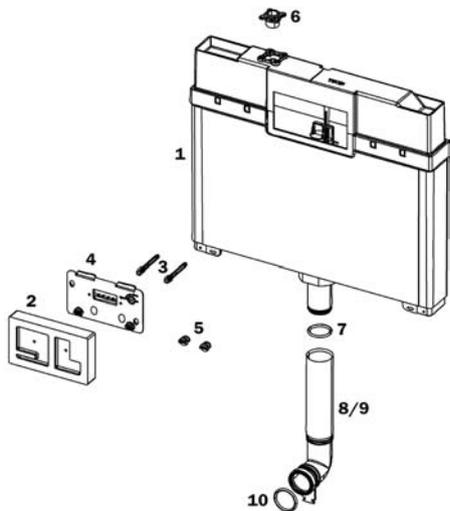


## 9 820 228

### Spare parts box for TECE 8 cm cistern

Item	Order No.	Description	Quantity
1	9 820 224	Drain valve A3	2
2	9 820 222	Towing ring abundance (A3)	2
3	9 820 163	Hold-down device (A3)	5
4	9 820 161	Base gasket (A3)	2 x 5
5	9 820 220	O-ring seal for valve seat (A3)	2 x 5
6	9 820 216	Connection for fill valve holder	5
7	9 820 215	Fill valve holder	5
8	9 820 217	Reinforced hose with O-ring seal	1
9	9 820 221	O-ring seal	4 x 10
10	9 820 006	Fill valve F1, complete	1
11	9 820 010	Lever with seal	3
12	9 820 009	Sealing set	5
13	9 820 194	Splash protection with clamping screws and hooks	2
14	9 820 191	Clamping screws	1 x 10
15	9 820 189	Attaching rods, short	1 x 3
16	9 820 219	Attaching rods w/o screws	1 x 4
17	9 820 193	Actuation rods	2 x 10
18	9 820 218	Button spring	10

# TECEbox – spare parts for 8 cm cisterns



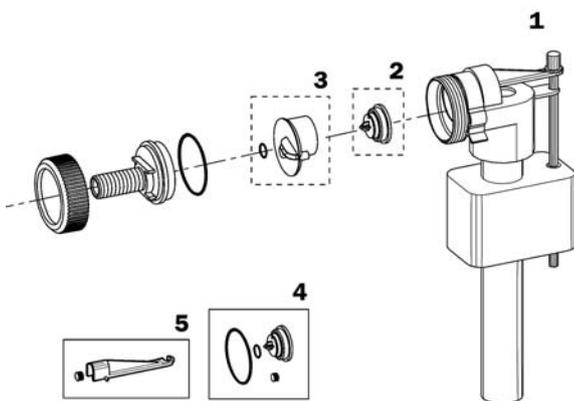
## Brick-wall-mounted cistern, depth 8 cm

Item	Order No.	Description
1	9 820 250	Cistern 8 cm, without flush pipe
2	9 820 188	Bare wall protection
3	9 820 189	Attaching rods
4	9 820 194	Splash protection with clamping screws and hooks
5	9 820 191	Clamping screw set
6	9 820 012	Cistern connection
7	9 820 014	O-ring seal for flush pipe
8	9 820 192	Flush pipe PP with flush pipe seal
9	9 820 251	Flush pipe PE-HD with flush pipe seal
10	9 820 015	Flush pipe seal



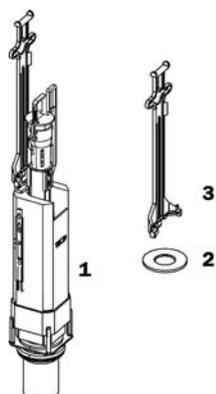
## TECE box 8 cm cistern, inlet fittings

Item	Order No.	Description
1	9 820 012	Cistern connection
2	9 820 013	Corner valve
3	9 820 217	Reinforced hose with O-ring seal
4	9 820 221	O-ring seal



## Fill valve

Item	Order No.	Description
1	9 820 006	Fill valve F1, complete
2	9 820 007	Top-hat membrane
3	9 820 008	Packer
4	9 820 009	Sealing set
5	9 820 010	Lever with seal



## Drain valve 8 cm cistern

Item	Order No.	Description
1	9 820 224	Drain valve A3
2	9 820 161	Base gasket (A3)
3	9 820 163	Hold-down device (A3)
4	9 820 275	Additional weights



Push plates

**TECE push plates**  
**Assortment List**

## TECE push plates



### **THERE'S A SYSTEM BEHIND IT – FLUSHING TECHNOLOGY FROM TECE.**

A collection of exclusive push plates only for the TECE cisterns. A broad range serves all private and facility requirements. With fronts made of plastic, glass or stainless steel, the TECE push plates also enhance the high-quality bathroom.

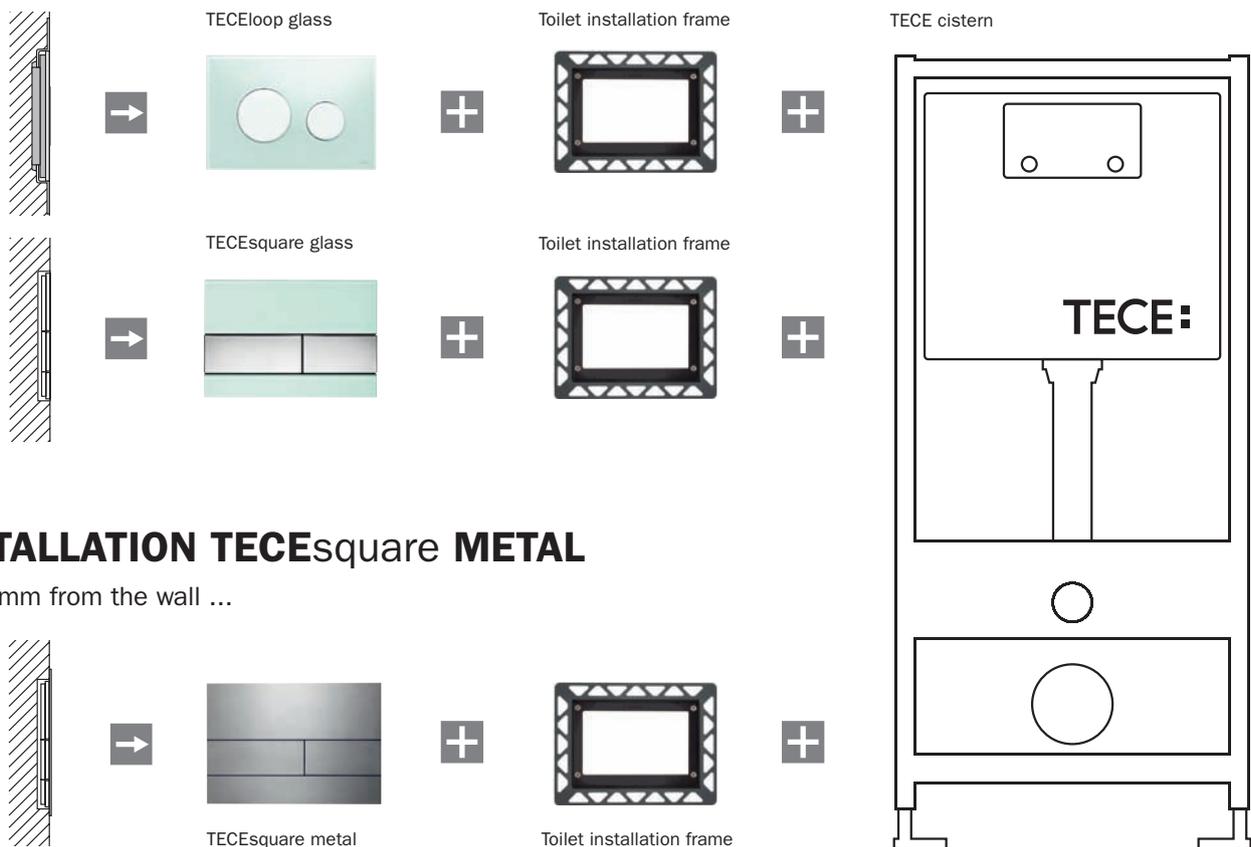


Matching urinal buttons are also available for the TECESquare, TECEloop, TECEplanus and TECEambia series.

## FLUSH-MOUNTED INSTALLATION

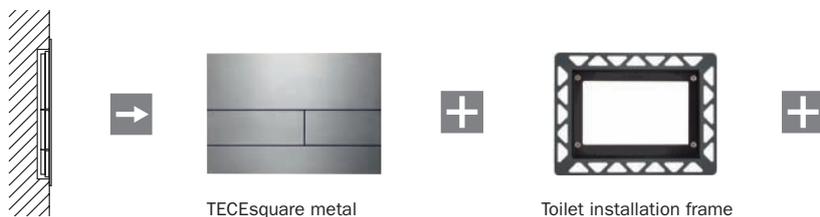
For the TECEloop and TECEsquare glass push plates, flush-mounted installation is possible. Using the installation frame, assembly is as easy as it is precise.

The installation frame is available in a variety of colours for wall coverings from 5 to 18 mm, or even 36 mm with the upgrade set.



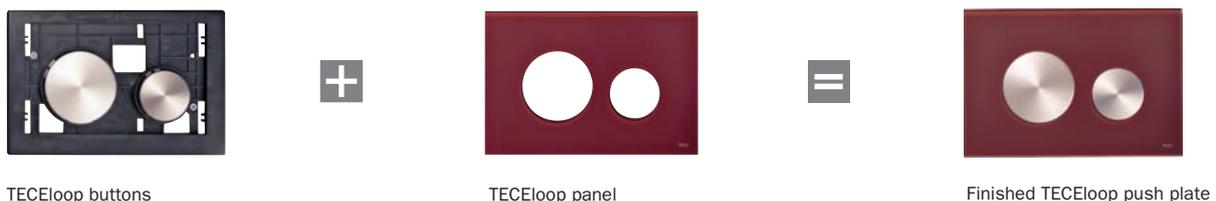
## INSTALLATION TECEsquare METAL

just 2 mm from the wall ...



## TECEloop MODULE SYSTEM – ONE HUNDRED AND FOUR POSSIBLE COMBINATIONS

The TECEloop modular system consists of a standard range of 8 push-buttons and 13 covers. This produces a total of 104 different possible combinations. The highlight: Some of the glass covers are colour coordinated with the products from Alape, Emco and Burgbad. So the bathroom planner always has the right toilet push plate at hand.



# TECE push plates

## TECE CISTERNS AND PUSH PLATES ARE ALWAYS COMPATIBLE WITH ONE ANOTHER!

Selection of the right toilet push plate is really not that easy with some cistern manufacturers. Even if the push plate and cistern come from the same manufacturer, it doesn't necessarily mean that they will fit together. It's different with TECE, where selection of the right toilet push plate is not a problem.



TECEsquare



TECEloop



TECEplanus



TECEambia



TECEbase



Toilet flush handles





	Page
Push plates TECEbase	84–85
Push plates TECEambia	86–87
Push plates TECEloop	88–93
Push plates TECEsquare	94–97
Push plates TECEplanus	98–99
Electronic flushing systems TECEplanus	100–104
Electronic flushing systems TECEplanus, accessories	105
Push plates spare parts	106–111
Flush handle	112

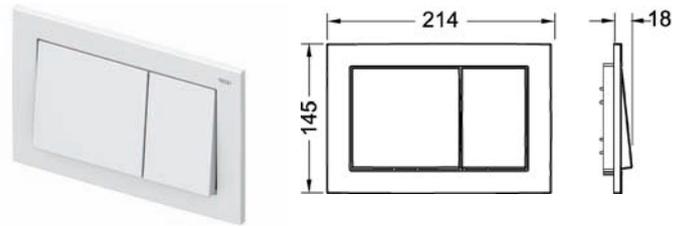


The TECEbase push plates with dual flush system form the "basis" for the TECE push plates. With their technical, clear design, they can be widely used. Simple operation is by means of buttons with switch technology. Like all TECE push plates, TECEbase push plates can be combined with all TECE cisterns.

## TECEbase toilet push plate for dual flush systems

Push plate for TECE cisterns, for front or top actuation.  
Plastic push plate including actuating rods  
and mounting material.

214 x 145 x 18 mm



Description	Colour	Exhibit**	Order No.	DU 1	DU 2	DU 3
TECEbase	White	—	9 240 700	1 pc.	10 pcs.	--
TECEbase	Bright chrome	—	9 240 701	1 pc.	10 pcs.	--
TECEbase	Matte chrome	—	9 240 702	1 pc.	10 pcs.	--

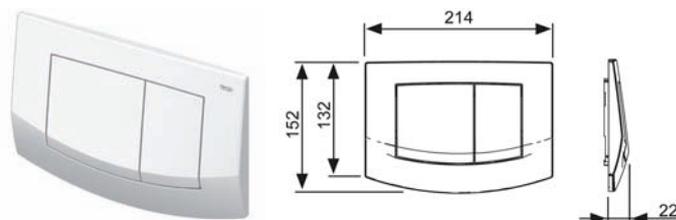


TECEambia push plates, with their single or dual flush system, are the universal plastic standard. Available in numerous variations, their compact dimensions fit harmoniously in every bathroom environment. Double-sided rubber buffers reliably prevent rattling noises. In the antibacterial version of TECEambia, the growth of germs on the surface is inhibited by silver ions - ideal for public sanitary areas.

## TECEambia toilet push plate for dual flush systems

Push plate for TECE cisterns, for front or top actuation. Plastic push plate with push-buttons buffered with rubber on both sides. Including actuating rods and mounting material.

214 x 152 x 22 mm

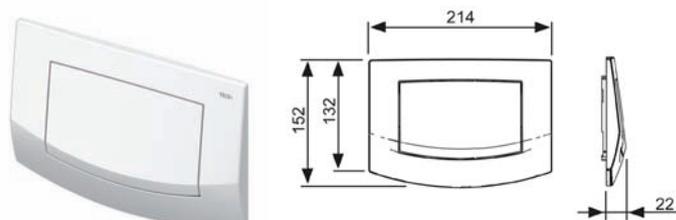


Description	Colour	Exhibit**	Order No.	DU 1	DU 2	DU 3
TECEambia	White	✓	9 240 200	1 pc.	10 pcs.	--
TECEambia	White, antibacterial	✓	9 240 240	1 pc.	10 pcs.	--
TECEambia	Pergamon grey	✓	9 240 201	1 pc.	10 pcs.	--
TECEambia	Matte chrome	✓	9 240 225	1 pc.	10 pcs.	--
TECEambia	Bright chrome	✓	9 240 226	1 pc.	10 pcs.	--
TECEambia	Matte chrome frame, bright chrome buttons	✓	9 240 253	1 pc.	10 pcs.	--
TECEambia	Bright chrome frame, matte chrome buttons	✓	9 240 254	1 pc.	10 pcs.	--

## TECEambia toilet push plate for single flush systems

Push plate for TECE cisterns, for front or top actuation. Plastic push plate with push-button buffered with rubber on both sides. Including actuating rod and mounting material.

214 x 152 x 22 mm



Description	Colour	Exhibit**	Order No.	DU 1	DU 2	DU 3
TECEambia	White	--	9 240 100	1 pc.	10 pcs.	--
TECEambia	White, antibacterial	--	9 240 140	1 pc.	10 pcs.	--
TECEambia	Pergamon grey	--	9 240 101	1 pc.	10 pcs.	--
TECEambia	Matte chrome	--	9 240 125	1 pc.	10 pcs.	--
TECEambia	Bright chrome	--	9 240 126	1 pc.	10 pcs.	--

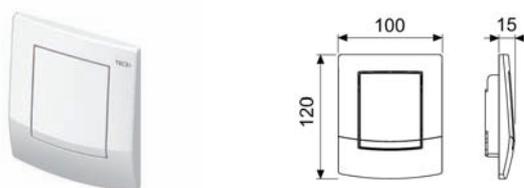
## TECEambia urinal push plate including cartridge

Fine assembly set for TECE flush valve housing  
Flush valve in accordance with DIN EN 12541, category 1.5 and 4  
Adjustable flush volume 1, 2 and 4 litres  
Usable from 0.5 bar minimum flow pressure

Components:

- Flush valve cartridge with automatic jet cleaning needle
- plastic screw-down push plate
- Actuating rod and mounting material

100 x 120 x 15 mm



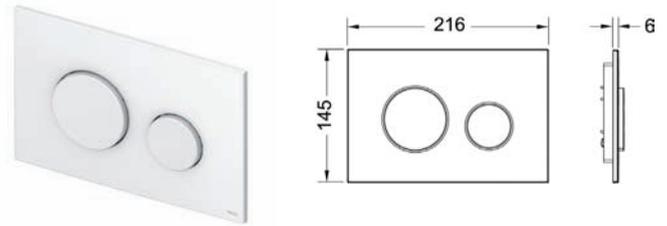
Description	Colour	Exhibit**	Order No.	DU 1	DU 2	DU 3
TECEambia	White	✓	9 242 100	1 pc.	15 pcs.	--
TECEambia	White, antibacterial	✓	9 242 140	1 pc.	15 pcs.	--
TECEambia	Pergamon grey	✓	9 242 101	1 pc.	15 pcs.	--
TECEambia	Bright chrome	--	9 242 126	1 pc.	15 pcs.	--



TECEloop push plates with dual flush systems are reduced to a minimum in their formal appearance. Numerous design possibilities are ensured by the different material and colour combinations for frames and push buttons, which have now been extended with the TECEloop modular system. All glass variants offer the unique option of flush-mounted installation.

## TECEloop toilet push plate for dual flush systems, plastic

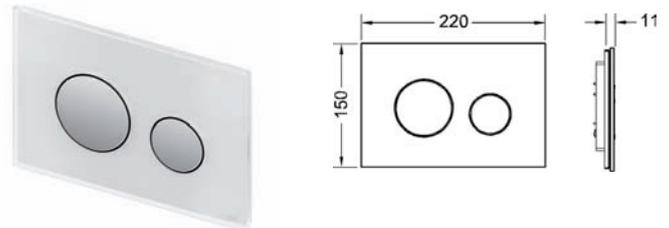
Push plate for TECE cisterns, for front or top actuation. Very flat plastic push plate with two spring-mounted push-buttons.  
216 x 145 x 6 mm



Description	Colour	Exhibit**	Order No.	DU 1	DU 2	DU 3
TECEloop	White	✓	9 240 600	1 pc.	10 pcs.	--
TECEloop	White, antibacterial	–	9 240 640	1 pc.	10 pcs.	--
TECEloop	White, bright chrome push-buttons	✓	9 240 627	1 pc.	10 pcs.	--
TECEloop	Pergamon grey	✓	9 240 601	1 pc.	10 pcs.	--
TECEloop	Matte chrome	✓	9 240 625	1 pc.	10 pcs.	--
TECEloop	Bright chrome	✓	9 240 626	1 pc.	10 pcs.	--

## TECEloop glass toilet push plate for dual flush systems

Push plate for TECE cisterns, for front or top actuation. Flat glass push plate with two spring-mounted push buttons. Suitable for flush-mounted installation in combination with TECEloop installation frame.  
220 x 150 x 11 mm



**Toilet installation frame (page 91) not contained in the scope of delivery.**

Description	Colour	Exhibit**	Order No.	DU 1	DU 2	DU 3
TECEloop	White glass, white buttons	✓	9 240 650	1 pc.	10 pcs.	--
TECEloop	Glass white, matte chrome buttons	✓	9 240 659	1 pc.	10 pcs.	--
TECEloop	White glass, bright chrome buttons	✓	9 240 660	1 pc.	10 pcs.	--
TECEloop	Mint green glass, white buttons	✓	9 240 651	1 pc.	10 pcs.	--
TECEloop	Mint green glass, matte chrome buttons	✓	9 240 652	1 pc.	10 pcs.	--
TECEloop	Mint green glass, bright chrome buttons	✓	9 240 653	1 pc.	10 pcs.	--
TECEloop	Glass black, white buttons	✓	9 240 654	1 pc.	10 pcs.	--
TECEloop	Glass black, buttons matte chrome buttons	✓	9 240 655	1 pc.	10 pcs.	--
TECEloop	Black glass, bright chrome buttons	✓	9 240 656	1 pc.	10 pcs.	--
TECEloop	Black glass, black buttons	✓	9 240 657	1 pc.	10 pcs.	--
TECEloop	Black glass, gold buttons	✓	9 240 658	1 pc.	10 pcs.	--

# TECEloop push plates – modular system

"Use our configurator for TECE push plates at [www.tece.com](http://www.tece.com)!"

## TECEloop modular system.

The TECEloop modular system can be used to individually combine the covers and push-buttons. The choice of twelve (glass) cover colours and a slate slab as well as eight different push-button colours produces a multitude of combinations. By harmonising the cover colours to the colours of manufacturers, such as Alape, EMCO or Burgbad the bathroom can be designed harmoniously.

In combination with the installation frame for toilet push plates (page 197) suitable for flush mounting.

Modular system consisting of:

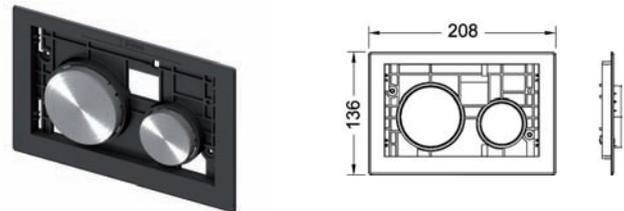
- Actuation unit with push-button for TECEloop toilet push plate.
- Cover for TECEloop toilet push plate.



## Actuation unit for TECEloop toilet push plate

Actuation unit with push-buttons for TECEloop push plate for front or top actuation, for combination with the cover of the TECEloop modular system.

**Cover not contained in the scope of delivery.**

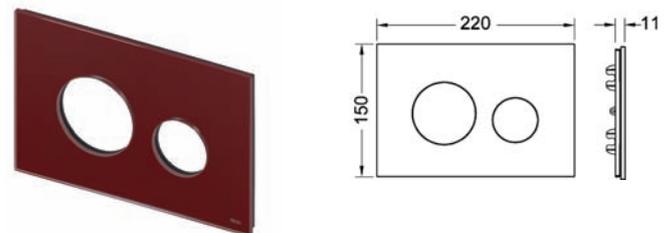


Description	Colour	Exhibit**	Order No.	DU 1	DU 2	DU 3
TECEloop	White buttons	✓	9 240 663	1 pc.	10 pcs.	--
TECEloop	buttons white antibac	--	9 240 664	1 pc.	10 pcs.	--
TECEloop	Matte chrome buttons	✓	9 240 665	1 pc.	10 pcs.	--
TECEloop	Bright chrome buttons	✓	9 240 666	1 pc.	10 pcs.	--
TECEloop	Black buttons	--	9 240 667	1 pc.	10 pcs.	--
TECEloop	Goldbuttons	--	9 240 668	1 pc.	10 pcs.	--
TECEloop	Buttons brushed stainless steel (with anti-fingerprint)	✓	9 240 669	1 pc.	10 pcs.	--
TECEloop	Pergamon grey buttons	--	9 240 684	1 pc.	10 pcs.	--

## Cover for TECEloop toilet push plate

Cover for TECEloop push plate for front or top actuation, for combination with the actuation unit of the TECEloop modular system.

**Actuation unit not contained in the scope of delivery.**



Description	Colour	Suitable for	Exhibit**	Order No.	DU 1	DU 2	DU 3
TECEloop	Glass, mint green		--	9 240 670	1 pc.	10 pcs.	--
TECEloop	Glass, white	Emco	--	9 240 671	1 pc.	10 pcs.	--
TECEloop	Glass, Asis green	Emco	✓	9 240 672	1 pc.	10 pcs.	--
TECEloop	Glass, orange		--	9 240 673	1 pc.	10 pcs.	--
TECEloop	Glass, black	Alape and Emco	--	9 240 674	1 pc.	10 pcs.	--
TECEloop	Slate slab		✓	9 240 675	1 pc.	10 pcs.	--
TECEloop	Glass, silvery grey	Alape	✓	9 240 676	1 pc.	10 pcs.	--
TECEloop	Glass, bluish grey		--	9 240 677	1 pc.	10 pcs.	--
TECEloop	Glass, coffee brown		✓	9 240 678	1 pc.	10 pcs.	--
TECEloop	Glass, ruby red	Alape	✓	9 240 679	1 pc.	10 pcs.	--
TECEloop	Glass ivory	Alape	--	9 240 680	1 pc.	10 pcs.	--
TECEloop	Mirror		--	9 240 683	1 pc.	10 pcs.	--
TECEloop	Glass, grass green	Burgbad	✓	9 240 685	1 pc.	10 pcs.	--

## Installation frame for flush-mounted installation

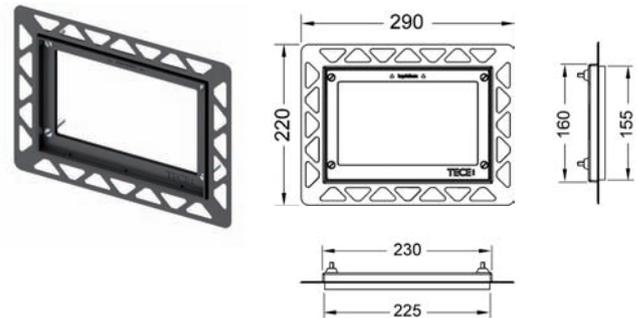
Installation kit for flush-mounted installation of the TECEloop/TECESquare glass toilet push plates as well as for the installation of TECESquare metal (installation height 2 mm).  
Depth-adjustable tile frame for wall coverings from 5 to 18 mm (from 18 to 33 mm with adjustment bolt 9 820 181).  
Including disassembly tool for push plate.

### Installation frame required during shell assembly!

#### Caution:

**Suitable for TECEprofil dry-wall toilet modules; also for brick-wall constructions in combination with the bare-wall protection system (9 030 029).**

**To obtain a clean edge, please use a water jet cutter to prepare the tile cut-out.**



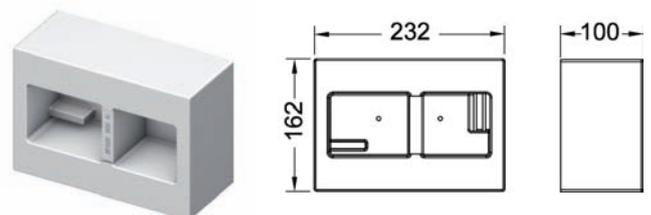
Description	Exhibit**	Order No.	DU 1	DU 2	DU 3
Tile frame, white	✓	9 240 646	1 pc.	20 pcs.	--
Tile frame, black	✓	9 240 647	1 pc.	20 pcs.	--
Tile frame bright chrome	✓	9 240 649	1 pc.	20 pcs.	--
Tile frame gold-plated	–	9 240 648	1 pc.	20 pcs.	--

## Bare-wall protection system for brick-wall constructions for flush-mounted installation

Larger bare-wall protection system to prepare the installation of the installation frame for toilet push plates. Suitable for use with TECE brick-wall-mounted cisterns (Order No. 9 370 000, 9 371 000, 9 375 000)

#### Caution:

**Thickness of finish at least 25 mm!**



Order No.	DU 1
9 030 029	1 pc.

# TECEloop push plates

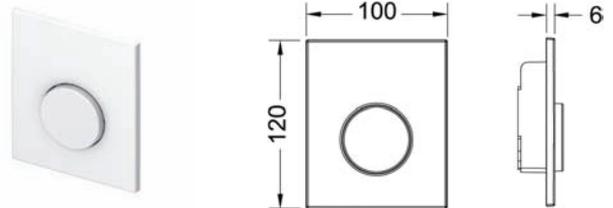
## TECEloop plastic urinal push plate including cartridge

Fine assembly set for TECE flush valve housing  
 Flush valve in accordance with DIN EN 12541, category 1.5 and 4  
 Adjustable flush volume 1, 2, 4 litres usable as of minimum flow pressure of 0.5 bar

Components:

- Flush valve cartridge with automatic jet cleaning needle
- Very flat push plate made of plastic
- Actuating rod and mounting material

100 x 120 x 6 mm



Description	Colour	Exhibit**	Order No.	DU 1	DU 2	DU 3
TECEloop	White	✓	9 242 600	1 pc.	15 pcs.	--
TECEloop	White, antibacterial	–	9 242 640	1 pc.	15 pcs.	--
TECEloop	White, button bright chrome	✓	9 242 627	1 pc.	15 pcs.	--
TECEloop	Pergamon grey	✓	9 242 601	1 pc.	15 pcs.	--
TECEloop	Matte chrome	✓	9 242 625	1 pc.	15 pcs.	--
TECEloop	Bright chrome	✓	9 242 626	1 pc.	15 pcs.	--

## TECEloop glass urinal push plate including cartridge

Fine assembly set for TECE flush valve housing  
 Flush valve in accordance with DIN EN 12541, category 1.5 and 4  
 Adjustable flush volume 1, 2 and 4 litres.  
 Usable from 0.5 bar minimum flow pressure.

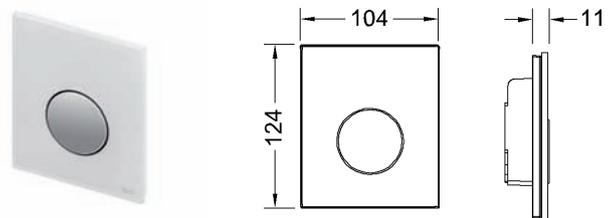
Components:

- Flush valve cartridge with automatic jet cleaning needle
- Flat glass actuation
- Actuating rod and mounting material

Suitable for flush-mounted installation in combination with urinal installation frame.

104 x 124 x 11 mm

**Urinal installation frame for flush-mounted installation not contained in the scope of delivery (see page 93).**



Description	Colour	Exhibit**	Order No.	DU 1	DU 2	DU 3
TECEloop	Glass white, button white	✓	9 242 650	1 pc.	15 pcs.	--
TECEloop	Glass white, push-button matte chrome	✓	9 242 659	1 pc.	15 pcs.	--
TECEloop	Glass white, button bright chrome	✓	9 242 660	1 pc.	15 pcs.	--
TECEloop	White glass, buttons brushed stainless steel (with anti-fingerprint)	–	9 242 661	1 pc.	15 pcs.	--
TECEloop	Mint green glass, button white	✓	9 242 651	1 pc.	15 pcs.	--
TECEloop	Mint green glass, button matte chrome	✓	9 242 652	1 pc.	15 pcs.	--
TECEloop	Mint green glass, button bright chrome	✓	9 242 653	1 pc.	15 pcs.	--
TECEloop	Mint green glass, buttons brushed stainless steel (with anti-fingerprint)	–	9 242 662	1 pc.	15 pcs.	--
TECEloop	Glass black, button white	✓	9 242 654	1 pc.	15 pcs.	--
TECEloop	Glass black, push-button matte chrome	✓	9 242 655	1 pc.	15 pcs.	--
TECEloop	Glass black, button bright chrome	✓	9 242 656	1 pc.	15 pcs.	--
TECEloop	Black glass, buttons brushed stainless steel (with anti-fingerprint)	–	9 242 663	1 pc.	15 pcs.	--
TECEloop	Glass black, button black	✓	9 242 657	1 pc.	15 pcs.	--
TECEloop	Glass black, button gold	✓	9 242 658	1 pc.	15 pcs.	--

## Urinal installation frame for flush-mounted installation

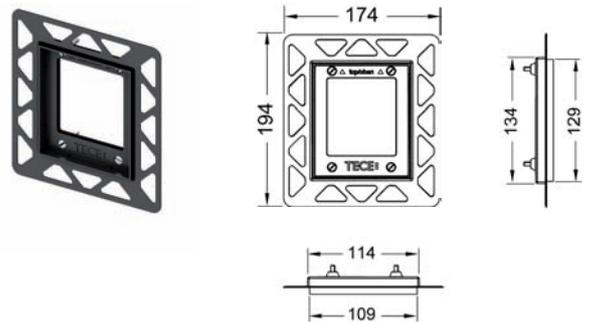
Installation kit for flush-mounted installation of the urinal push plate TECEloop/TECESquare glass and for the installation of TECESquare metal in a dry-wall construction. Depth-adjustable tile frame for wall coverings from 5 to 18 mm (from 18 to 33 mm with adjustment bolt 9 820 181).

Including disassembly tool for TECE push plate.

**Required during shell assembly.**

**Caution: For dry-wall installation only!**

**To obtain a clean edge, please use a water jet cutter to prepare the tile cut-out.**



Description	Exhibit**	Order No.	DU 1	DU 2	DU 3
Tile frame, white	–	9 242 646	1 pc.	40 pcs.	--
Tile frame, black	–	9 242 647	1 pc.	40 pcs.	--
Tile frame bright chrome	✓	9 242 649	1 pc.	40 pcs.	--
Tile frame gold-plated	–	9 242 648	1 pc.	40 pcs.	--

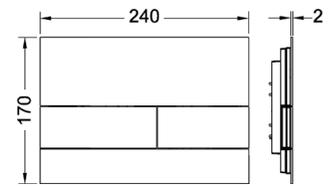
\*\* The order number can be found in the "Exhibits/Samples" section



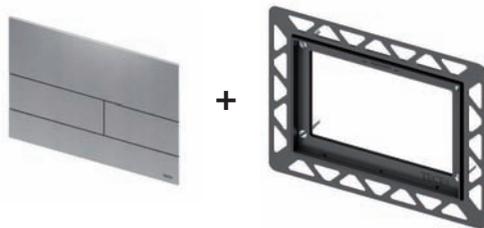
TECEsquare metal push plates with a dual flush system – natural effect in pure stainless steel. The push plates with a minimalist design have an extremely flat structure and three narrow joints. Equipped with a special switch technology and an abrasion-resistant protective layer against fingerprints on the stainless steel version, the push plates ensure a perfect appearance in a modern bathroom architecture.

## TECEsquare metal toilet push plate for dual flush systems

Push plate for TECE cisterns, for front or top actuation.  
Flat metal push plate with two spring-mounted actuation rocker buttons, installation height 2 mm.  
240 x 170 x 2 mm



**Important notes:**  
**Installation only in combination with the toilet installation frame for flush-mounted installation, please order separately!**



reddot design award  
winner 2010

DESIGN PLUS

Description	Colour	Exhibit**	Order No.	DU 1	DU 2	DU 3
TECEsquare	Brushed stainless steel (with anti-fingerprint)	✓	9 240 810	1 pc.	10 pcs.	--
TECEsquare	Bright chrome	✓	9 240 811	1 pc.	10 pcs.	--
TECEsquare	White	✓	9 240 812	1 pc.	10 pcs.	--

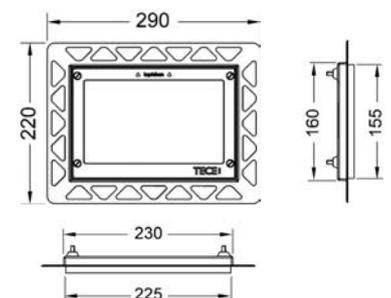
## Installation frame for flush-mounted installation

Installation kit for flush-mounted installation of the TECEloop/TECEsquare glass toilet push plates as well as for the installation of TECEsquare metal (installation height 2 mm).  
Depth-adjustable tile frame for wall coverings from 5 to 18 mm (from 18 to 33 mm with adjustment bolt 9 820 181).  
Including disassembly tool for push plate.

**Installation frame required during shell assembly!**

**Caution:**  
**Suitable for TECEprofil dry-wall toilet modules; also for brick-wall constructions in combination with the bare-wall protection system (9 030 029).**

**To obtain a clean edge, please use a water jet cutter to prepare the tile cut-out.**



Description	Exhibit**	Order No.	DU 1	DU 2	DU 3
Tile frame, white	✓	9 240 646	1 pc.	20 pcs.	--
Tile frame, black	✓	9 240 647	1 pc.	20 pcs.	--
Tile frame bright chrome	✓	9 240 649	1 pc.	20 pcs.	--
Tile frame gold-plated	--	9 240 648	1 pc.	20 pcs.	--

# TECEsquare push plates

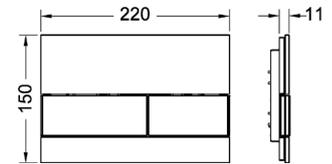
"Use our configurator for TECE push plates at [www.tece.com](http://www.tece.com)!"

## TECEsquare glass toilet push plate for dual flush systems

Push plate for TECE cisterns, for front or top actuation. Flat glass push plate with two spring-mounted buttons. Suitable for flush-mounted installation in combination with installation frame for flush mounting.

220 x 150 x 11 mm

**Toilet installation frame for flush-mounted installation (s. page 95) not contained in the scope of delivery; please order separately!**

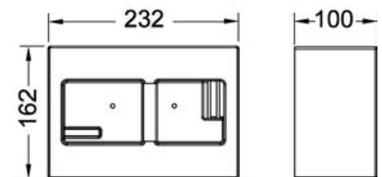


Description	Colour	Exhibit**	Order No.	DU 1	DU 2	DU 3
TECEsquare	White glass, white buttons	✓	9 240 800	1 pc.	10 pcs.	--
TECEsquare	White glass, buttons brushed stainless steel (with anti-fingerprint)	✓	9 240 801	1 pc.	10 pcs.	--
TECEsquare	White glass, bright chrome buttons	✓	9 240 802	1 pc.	10 pcs.	--
TECEsquare	Mint green glass, white buttons	--	9 240 803	1 pc.	10 pcs.	--
TECEsquare	Mint greenglass, buttons brushed stainless steel (with anti-fingerprint)	✓	9 240 804	1 pc.	10 pcs.	--
TECEsquare	Mint greenglass, bright chrome buttons	--	9 240 805	1 pc.	10 pcs.	--
TECEsquare	Glass black, buttons brushed stainless steel (with anti-fingerprint)	✓	9 240 806	1 pc.	10 pcs.	--
TECEsquare	Black glass, bright chrome buttons	✓	9 240 807	1 pc.	10 pcs.	--
TECEsquare	Black glass, gold buttons	--	9 240 808	1 pc.	10 pcs.	--
TECEsquare	Black glass, black buttons	✓	9 240 809	1 pc.	10 pcs.	--

## Bare-wall protection system for brick-wall constructions for flush-mounted installation

Larger bare-wall protection system to prepare the installation of the installation frame for toilet push plates. Suitable for use with TECE brick-wall-mounted cisterns (Order No. 9 370 000, 9 371 000, 9 375 000)

**Thickness of finish at least 25 mm!**



Order No.	DU 1
9 030 029	1 pc.

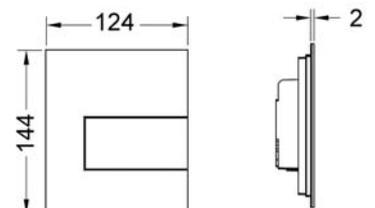
## TECEsquare metal urinal push plate including cartridge

Fine assembly set for TECE flush valve housing  
Flush valve in accordance with DIN EN 12541, category 1.5 and 4  
Adjustable flush volume 1, 2, 4 litres  
usable as of minimum flow pressure of 0.5 bar

Components:

- Flush valve cartridge with automatic jet cleaning needle
- Extremely flat metal push plate, installation height 2 mm
- Actuating rod and mounting material

124 x 144 x 2 mm



**Important notes:**  
**Installation only in combination with the urinal installation frame for flush-mounted installation, please order separately!**

Description	Colour	Exhibit**	Order No.	DU 1	DU 2	DU 3
TECEsquare	Brushed stainless steel (with anti-fingerprint)	✓	9 242 810	1 pc.	10 pcs.	--
TECEsquare	Bright chrome	✓	9 242 811	1 pc.	10 pcs.	--
TECEsquare	White	✓	9 242 812	1 pc.	10 pcs.	--

## TECEsquare glass urinal push plate including cartridge

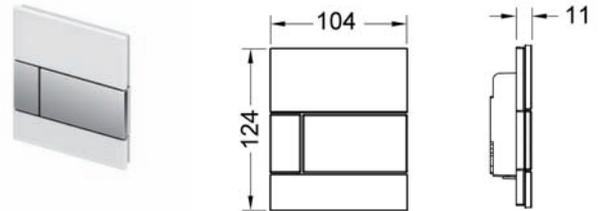
Fine assembly set for TECE flush valve housing  
 Flush valve in accordance with DIN EN 12541, category 1.5 and 4  
 Adjustable flush volume 1, 2, 4 litres  
 usable as of minimum flow pressure of 0.5 bar

Components:

- Flush valve cartridge with automatic jet cleaning needle
- Flat glass actuation
- Actuating rod and mounting material

Suitable for flush-mounted installation in combination with urinal installation frame.

104 x 124 x 11 mm



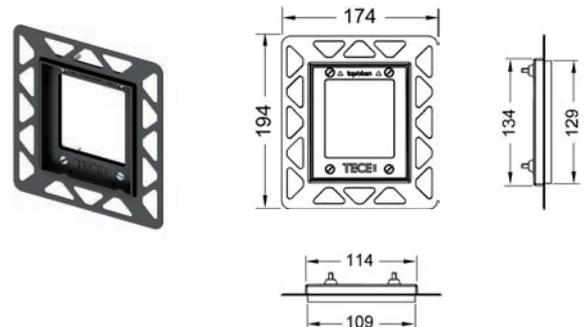
## Urinal installation frame for flush-mounted installation not contained in the scope of delivery.

Description	Colour	Exhibit**	Order No.	DU 1	DU 2	DU 3
TECEsquare	Glass white, button white	✓	9 242 800	1 pc.	15 pcs.	--
TECEsquare	White glass, buttons brushed stainless steel (with anti-fingerprint)	–	9 242 801	1 pc.	15 pcs.	--
TECEsquare	Glass white, button bright chrome	✓	9 242 802	1 pc.	15 pcs.	--
TECEsquare	Mint green glass, button white	–	9 242 803	1 pc.	15 pcs.	--
TECEsquare	Mint green glass, buttons brushed stainless steel (with anti-fingerprint)	–	9 242 804	1 pc.	15 pcs.	--
TECEsquare	Mint green glass, button bright chrome	–	9 242 805	1 pc.	15 pcs.	--
TECEsquare	Glass black, buttons brushed stainless steel (with anti-fingerprint)	✓	9 242 806	1 pc.	15 pcs.	--
TECEsquare	Glass black, button bright chrome	–	9 242 807	1 pc.	15 pcs.	--
TECEsquare	Glass black, button gold	–	9 242 808	1 pc.	15 pcs.	--
TECEsquare	Glass black, button black	–	9 242 809	1 pc.	15 pcs.	--

## Urinal installation frame for flush-mounted installation

Installation kit for flush-mounted installation of the urinal push plates TECEloop/TECEsquare glass and for the installation of TECEsquare metal in a dry-wall construction. Depth-adjustable tile frame for wall coverings from 5 to 18 mm (from 18 to 33 mm with adjustment bolt 9 820 181).

Including disassembly tool for TECE push plate.



**Required during shell assembly.**

**Caution: For dry-wall installation only!**

**To obtain a clean edge, please use a water jet cutter to prepare the tile cut-out.**

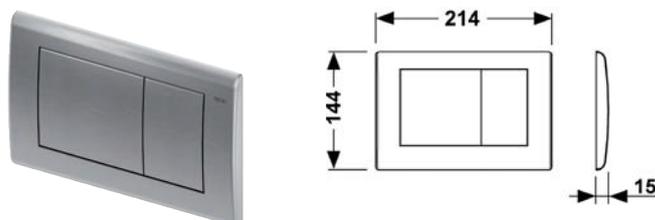
Description	Exhibit**	Order No.	DU 1	DU 2	DU 3
Tile frame, white	–	9 242 646	1 pc.	40 pcs.	--
Tile frame, black	–	9 242 647	1 pc.	40 pcs.	--
Tile frame bright chrome	✓	9 242 649	1 pc.	40 pcs.	--
Tile frame gold-plated	–	9 242 648	1 pc.	40 pcs.	--



TECEplanus made of stainless steel are robust, vandal-proof and, with a single or dual flush system, they are ideal for high operational demands. A concealed screw further protects it against theft. So they are particularly suitable for public sanitary areas, restaurants or hotels. Their especially compact dimensions and elegant design harmonise with any mood.

## TECEplanus toilet push plate for dual flush systems

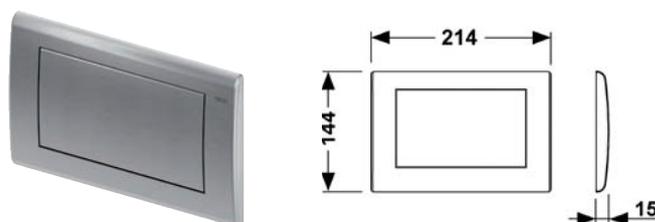
Stainless steel push plate for TECE cisterns, for front or top actuation, attached with concealed screws.  
Stop collar buffered with rubber on both sides.  
Including actuating rods and mounting material.  
214 x 144 x 15 mm



Description	Colour	Exhibit**	Order No.	DU 1	DU 2	DU 3
TECEplanus	White, silk-mat	✓	9 240 322	1 pc.	10 pcs.	--
TECEplanus	Bright white	✓	9 240 324	1 pc.	10 pcs.	--
TECEplanus	Brushed stainless steel	✓	9 240 320	1 pc.	10 pcs.	--
TECEplanus	Bright chrome	✓	9 240 321	1 pc.	10 pcs.	--

## TECEplanus toilet push plate for single-flush technology

Stainless steel push plate for TECE cisterns, for front or top actuation, attached with concealed screws.  
Stop collar buffered with rubber on both sides.  
Including actuating rod and mounting material.  
214 x 144 x 15 mm



Description	Colour	Exhibit**	Order No.	DU 1	DU 2	DU 3
TECEplanus	White, silk-mat	✓	9 240 312	1 pc.	10 pcs.	--
TECEplanus	Bright white	✓	9 240 314	1 pc.	10 pcs.	--
TECEplanus	Brushed stainless steel	✓	9 240 310	1 pc.	10 pcs.	--
TECEplanus	Bright chrome	✓	9 240 311	1 pc.	10 pcs.	--

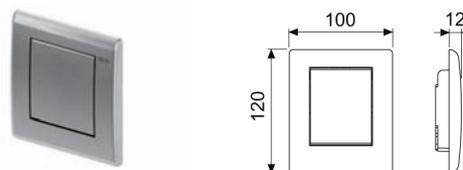
## TECEplanus urinal push plate including cartridge

Fine assembly set for TECE flush valve housing  
Flush valve in accordance with DIN EN 12541, category 1.5 and 4  
Adjustable flush volume 1, 2 and 4 litres  
Usable from 0.5 bar minimum flow pressure

Components:

- Flush valve cartridge with automatic jet cleaning needle
- Stainless steel screw-down push plate
- Actuating rod and mounting material

100 x 120 x 12 mm



Description	Colour	Exhibit**	Order No.	DU 1	DU 2	DU 3
TECEplanus	White, silk-mat	✓	9 242 312	1 pc.	15 pcs.	--
TECEplanus	Bright white	✓	9 242 314	1 pc.	15 pcs.	--
TECEplanus	Brushed stainless steel	✓	9 242 310	1 pc.	15 pcs.	--
TECEplanus	Bright chrome	✓	9 242 311	1 pc.	15 pcs.	--



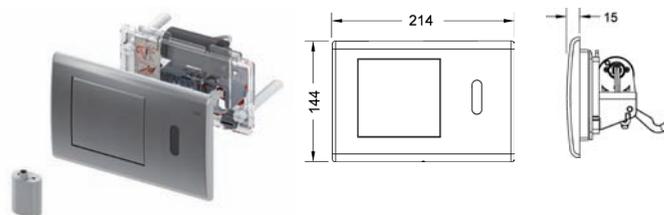
Toilet and urinal electronics from TECE – in brushed stainless steel or bright chrome based on the TECEplanus push plates. These vandal-proof push plates, equipped with an infrared sensor, can be used for a wide range of applications. The sensor enables hygienic, non-contact actuation of the flush on the toilet and urinal.

## TECEplanus toilet electronics with IR sensor, 6 V battery

For non-contact actuation flush function of TECE cisterns. Suitable for all TECE cisterns with front actuation and an actuationheight of about 1 m.

### Components:

- Autofocus infra-red sensor with two recognition areas for the recognition of standing or sitting persons
- Push plate made of stainless steel for optional manual flush triggering
- Water-proof battery compartment including lithium battery, type 2CR5, 6 VDC
- Electric lifting device with servo-motor completely mounted on the actuation block
- Pre-set flush volume 4.5/6/7.5/9 litres
- Actuating rod and mounting material
- Programming key
- Hygiene function can be configured



Description	Colour	Order No.	DU 1	DU 2	DU 3
TECEplanus	Brushed stainless steel	9 240 350	1 pc.	--	--
TECEplanus	Bright chrome	9 240 351	1 pc.	--	--
TECEplanus	Bright white	9 240 361	1 pc.	--	--

## TECEplanus toilet electronics with IR sensor, 12 V mains

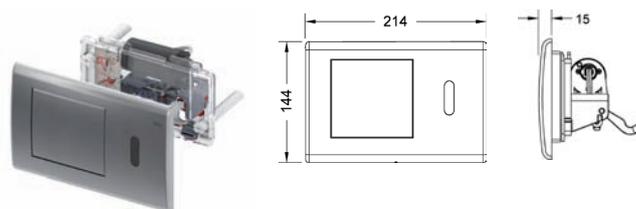
as for 9 240 350/9 240 351

but with

- mains operation by external 230/12 V transformer (not contained in the scope of delivery)

Please order separately:

- Transformer TECEplanus 230/12 V – order number 9 810 003 (see page 105)
- Connection cable TECEplanus 12 V – order number 9 810 004 (see page 105)



Description	Colour	Order No.	DU 1	DU 2	DU 3
TECEplanus	Brushed stainless steel	9 240 352	1 pc.	--	--
TECEplanus	Bright chrome	9 240 353	1 pc.	--	--
TECEplanus	Bright white	9 240 362	1 pc.	--	--

# TECEplanus electronic flushing systems

## TECEplanus toilet remote release for safety support arms, 6 V battery

For barrier-free construction, for remote triggering of TECE cisterns by radio switch in the safety support arm. Suitable for all TECE cisterns with actuation from the front

Additional manual flush triggering by single-volume push plate is possible

Suitable for safety support arms with radio triggering:

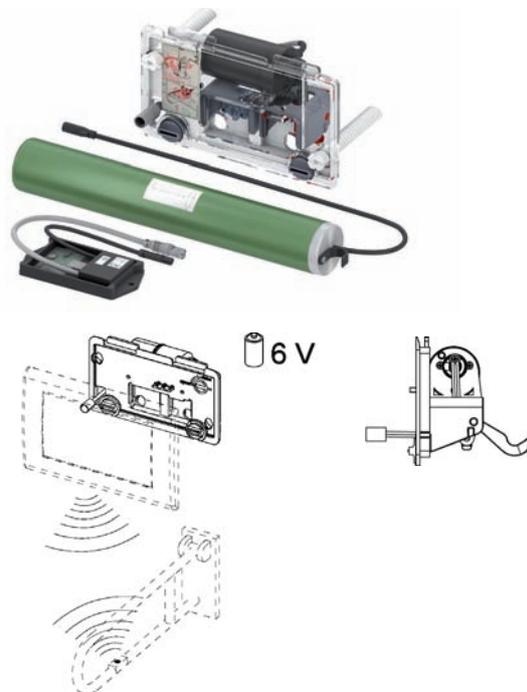
- HEWI series LifeSystem safety support arms 802.50..
- with upgrade kit HEWI 802.50.060R (right) or HEWI 802.50.060L (left)
- HEWI series 801 safety support arms 801.50.., with upgrade kit HEWI 801.50.060
- HEWI series 805 safety support arms 805.50.., with upgrade kit HEWI 801.50.060
- KEUCO Plan Care 34903 and 34905 with radio triggering

Components:

- Retrofittable battery-operated radio receiver
- Electric lifting device with servo-motor completely mounted on the actuation block
- Adjustable flush volume 6 or 9 litres
- Water-tight battery compartment for installation in the cistern
- Four batteries, type Mono/D/LR20

Please order separately:

- Single-flush actuation, e.g. TECEplanus stainless steel order number. 9 240 310 (see page 99)



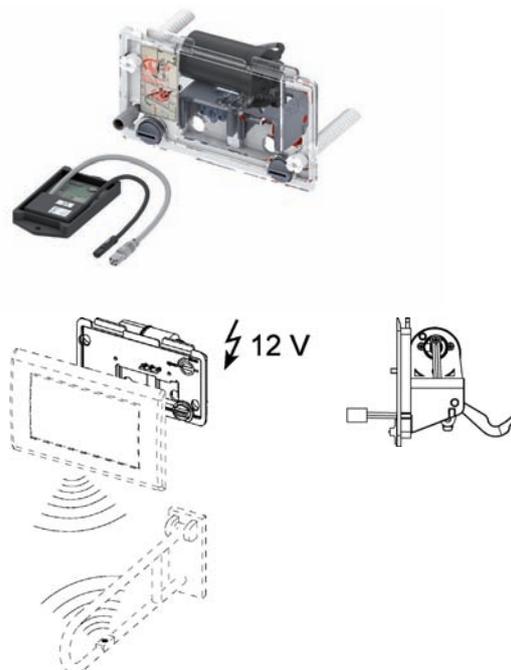
Order No.	DU 1	DU 2	DU 3
9 240 354	1 pc.	--	--

## TECEplanus toilet remote release for safety support arms, 12 V mains

like 9 240 354, however for power supply by external 230/12 V transformer (transformer not contained in the scope of delivery).

Please order separately:

- Transformer TECEplanus 230/12 V – order number 9 810 003 (see page 105)
- Connection cable TECEplanus 12 V – order number 9 810 004 (see page 105)
- Single-flush actuation, e.g. TECEplanus stainless steel order number. 9 240 310 (see page 99)



Order No.	DU 1	DU 2	DU 3
9 240 355	1 pc.	--	--

## TECEplanus toilet remote release for cable-connected electric push-button, 6 V battery

For barrier-free construction, for remote triggering of TECE cisterns by cable-connected electric push-button in the lift-bar handle or in the wall.

Suitable for all TECE cisterns with actuation from the front

Additional manual flush triggering by single-volume push plate is possible (not contained in the scope of delivery).

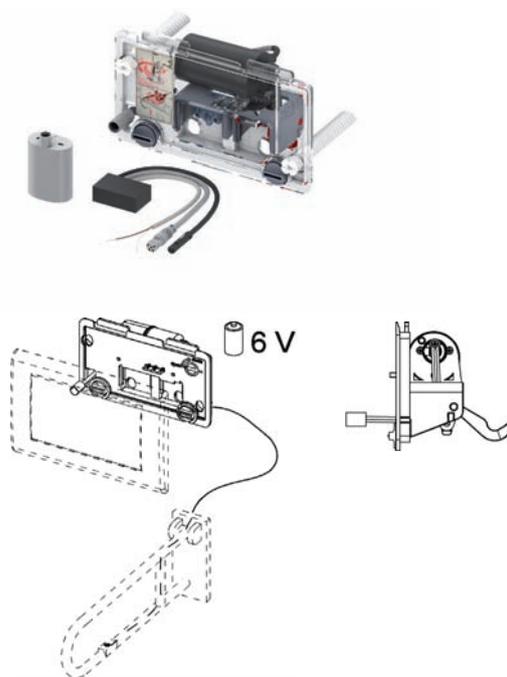
Components:

- Retrofittable, battery-operated lifting device with servo-motor completely mounted on the actuation block
- Adjustable flush volume 6 or 9 litres
- Water-proof battery compartment including lithium battery, type 2CR5, 6 VDC

Please order separately:

- Single-flush actuation, e.g. TECEplanus stainless steel order number. 9 240 310 (see page 99)

Order No.	DU 1	DU 2	DU 3
9 240 356	1 pc.	--	--



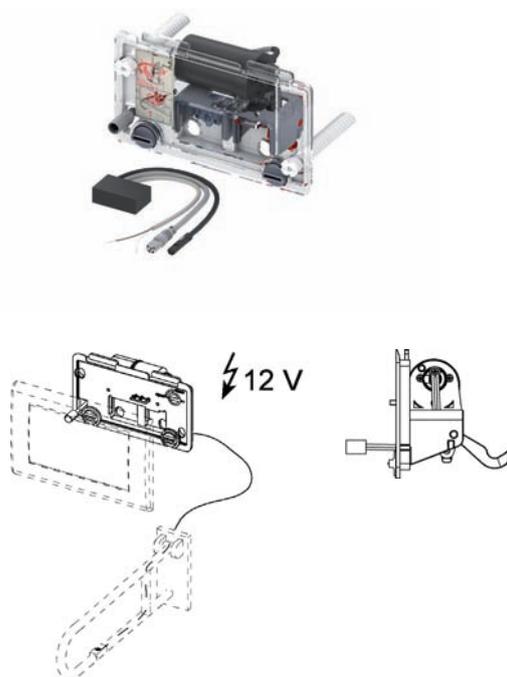
## TECEplanus toilet remote actuation for cable-connected electronic push-button, 12 V mains

like 9 240 356, however for power supply by external 230/12 V transformer (transformer not contained in the scope of delivery).

Please order separately:

- Transformer TECEplanus 230/12 V – order number 9 810 003 (see page 105)
- Connection cable TECEplanus 12 V – order number 9 810 004 (see page 105)
- Single-flush actuation, e.g. TECEplanus stainless steel order number. 9 240 310 (see page 99)

Order No.	DU 1	DU 2	DU 3
9 240 357	1 pc.	--	--



# TECEplanus electronic flushing systems

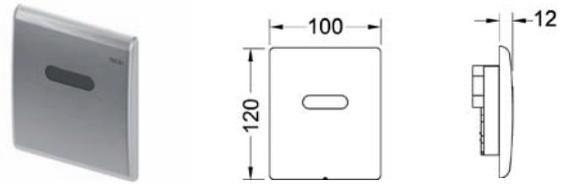
## TECEplanus urinal electronics, 6 V battery

Fine assembly set for contact-free infrared flush device suitable for TECE urinal flush valve housing, usable as of minimum flow pressure of 0.5 bar; flush time, water-saving break function, cleaning mode, pre-flush and hygienic flushing can be set.

Components:

- Solenoid valve with large dirt filter
- 6 V DC battery
- Screw-down metal cover with sensor field
- Mounting materials
- Programming key

100 x 120 x 12 mm



Description	Colour	Exhibit**	Order No.	DU 1	DU 2	DU 3
TECEplanus	White, silk-mat	✓	9 242 354	1 pc.	10 pcs.	--
TECEplanus	Brushed stainless steel	✓	9 242 350	1 pc.	10 pcs.	--
TECEplanus	Bright chrome	✓	9 242 351	1 pc.	10 pcs.	--
TECEplanus	Bright white	--	9 242 356	1 pc.	10 pcs.	--

## TECEplanus urinal electronics, 12 V mains

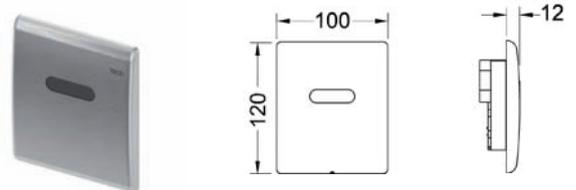
As for 9 242 350/9 242 351/9 242 354

but with

- mains operation by external 230/12 V transformer (not contained in the scope of delivery)

Please order separately:

- Transformer TECEplanus 230/12 V – order number 9 810 003 (see page 105)
- Connection cable TECEplanus 12 V – order number 9 810 004 (see page 105)



Description	Colour	Exhibit**	Order No.	DU 1	DU 2	DU 3
TECEplanus	White, silk-mat	✓	9 242 355	1 pc.	10 pcs.	--
TECEplanus	Brushed stainless steel	✓	9 242 352	1 pc.	10 pcs.	--
TECEplanus	Bright chrome	✓	9 242 353	1 pc.	10 pcs.	--
TECEplanus	Bright white	--	9 242 357	1 pc.	10 pcs.	--

## TECEplanus transformer for 230/12 V mains electronics, toilet/urinal

For assembly in standard flush-mounted 60 mm dia. sockets, up to 5 urinal or toilet power connections  
 Power: 230 V  
 Output: 12 VDC



Order No.	DU 1	DU 2	DU 3
9 810 003	1 pc.	--	--

## TECEplanus transformer for 12 V mains electronics, toilet/urinal

Twin-core power cable, length 10 m



Order No.	DU 1	DU 2	DU 3
9 810 004	1 pc.	--	--

## TECEplanus radio push-button

Retrofit kit for safety support arms, suitable for TECE toilet radio triggering system



Order No.	DU 1	DU 2	DU 3
9 240 360	1 pc.	--	--

## Inlet chute for cleaning cubes

For inserting cleaning cubes into the TECE cistern.  
 In combination with the TECE push plate or TECElux upper glass facing, installation from front  
 In brick-wall construction, to be used as of 16 mm wall thickness.

**NEW**



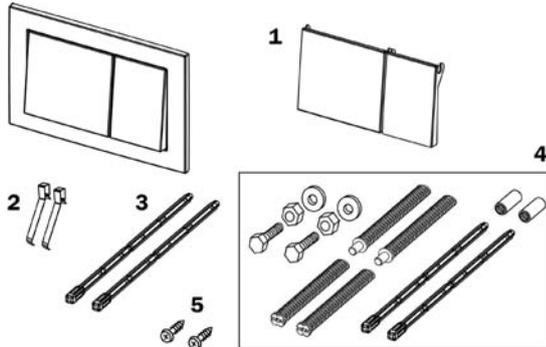
Order No.	DU 1	DU 2	DU 3
9 240 950* NEW	1 pc.	--	--

\* Expected availability: May 2014

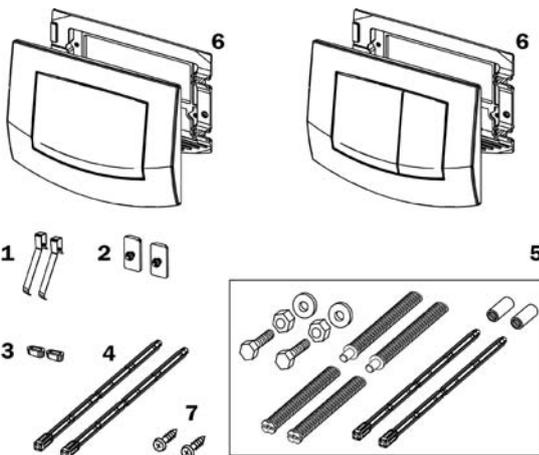
# TECE push plates – spare parts

## Toilet push plates

### TECEbase toilet push plate

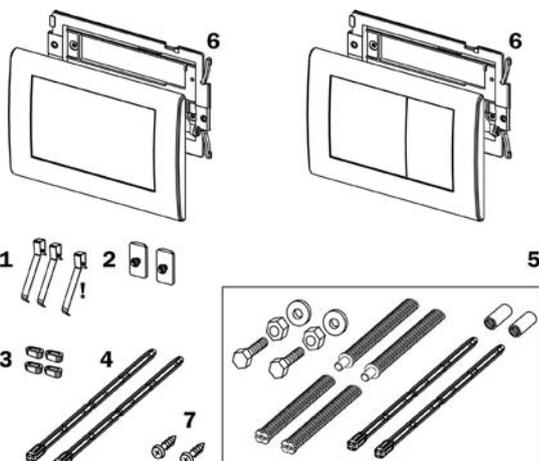


Item	Order No.	Description
1	9 820 241	Button set, white
2	9 820 020	Push-button springs, set of two
3	9 820 022	Actuation rods
4	9 820 030	Extension set (extension by max. 12 cm)
5	9 820 263	Support screws NEW



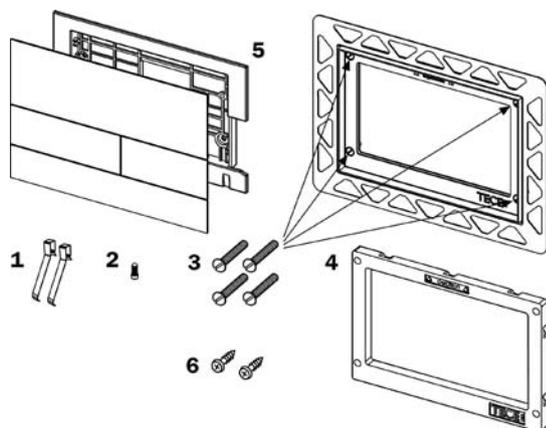
### TECEambia toilet push plate

Item	Order No.	Description
1	9 820 020	Push-button springs, set of two
2	9 820 021	Locking rubber
3	9 820 024	Rubber buffer, set of two
4	9 820 022	Actuation rods
5	9 820 030	Extension set (extension by max. 12 cm)
6	9 820 326	Support frame TECEambia NEW
7	9 820 263	Support screws NEW



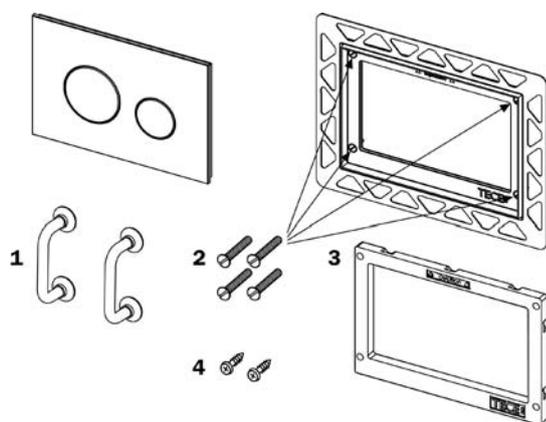
### TECEplanus toilet push plate

Item	Order No.	Description
1	9 820 020	Push-button springs, set of two
2	9 820 021	Locking rubber
3	9 820 024	Rubber buffer, set of two
4	9 820 022	Actuation rods
5	9 820 030	Extension set (extension by max. 12 cm)
6	9 820 327	Support frame TECEplanus NEW
7	9 820 263	Support screws NEW



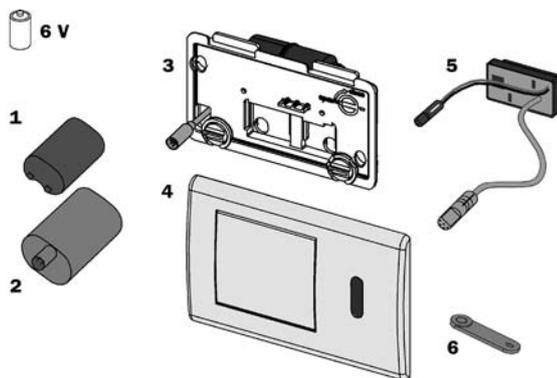
## Toilet push plate TECEsquare

Item	Order No.	Description
1	9 820 253	Push-button springs, set of two
2	9 820 249	Safety bolt
3	9 820 181	Adjustment bolt 18 to 33 mm (extension)
4	9 820 196	Toilet support frame for flush-mounted installation
5	9 820 328	Support frame TECEsquare NEW
6	9 820 263	Support screws NEW



## TECEloop toilet push plate, glass

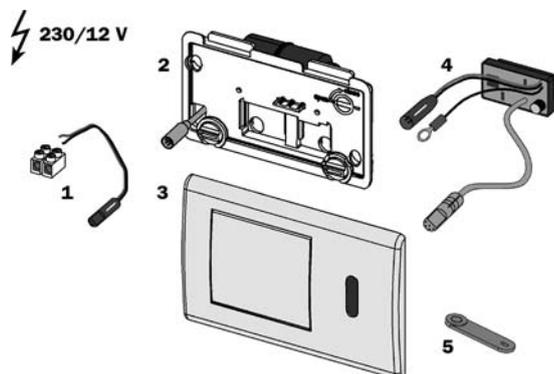
Item	Order No.	Description
1	9 820 180	Bow-type handles
2	9 820 181	Adjustment bolt 18 to 33 mm (extension)
3	9 820 196	Toilet support frame for flush-mounted installation
4	9 820 263	Support screws NEW



## Toilet electronics

### TECEplanus IR electronics, 6 V battery

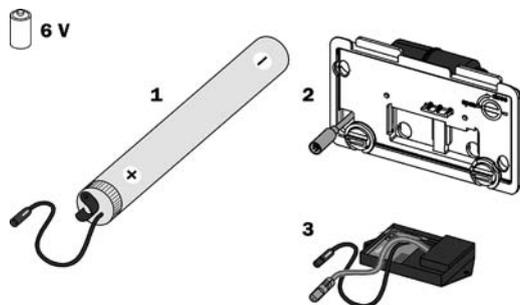
Item	Order No.	Description
1	9 820 092	6 V battery 2CR5
2	9 820 195	Battery housing
3	9 820 140	Motor with splash guard
4	9 820 199	TECEplanus push plate Brushed stainless steel
	9 820 200	Bright chrome
5	9 820 198	IR sensor 6 V
6	9 820 080	Programming stick



### TECEplanus IR electronics, 12 V mains

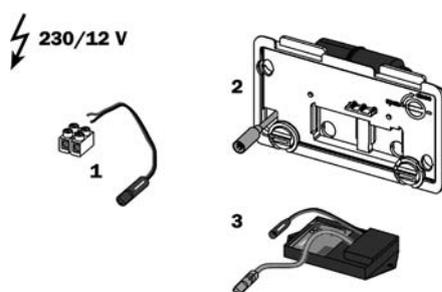
Item	Order No.	Description
1	9 820 094	Mains connection adapter
2	9 820 140	Motor with splash guard
3	9 820 199	TECEplanus push plate Brushed stainless steel
	9 820 200	Bright chrome
4	9 820 201	IR sensor 12 V
5	9 820 080	Programming stick

# TECE push plates – spare parts



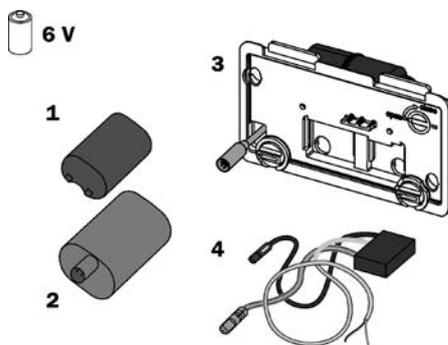
## TECEplanus toilet remote wireless release, 6 V battery

Item	Order No.	Description
1	9 820 202	Battery housing, long
2	9 820 140	Motor with splash guard
3	9 820 203	Radio electronics 6 V



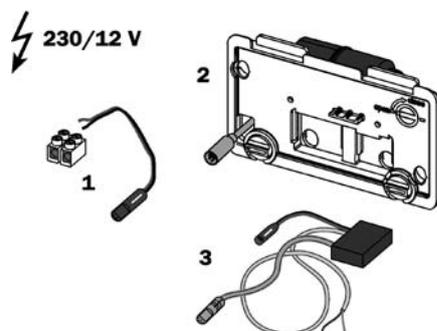
## TECEplanus toilet remote wireless release, 12 V mains

Item	Order No.	Description
1	9 820 094	Mains connection adapter
2	9 820 140	Motor with splash guard
3	9 820 204	Radio electronics 12 V



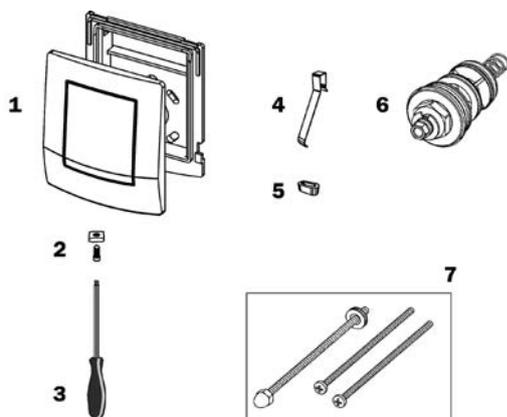
## TECEplanus toilet remote triggering for cable-connected electronic push-button, 6 V battery

Item	Order No.	Description
1	9 820 092	6 V battery 2CR5
2	9 820 195	Battery housing
3	9 820 140	Motor with splash guard
4	9 820 205	Electronics 6 V, cable-connected



## TECEplanus toilet remote triggering for cable-connected electronic push-button, 12 V mains

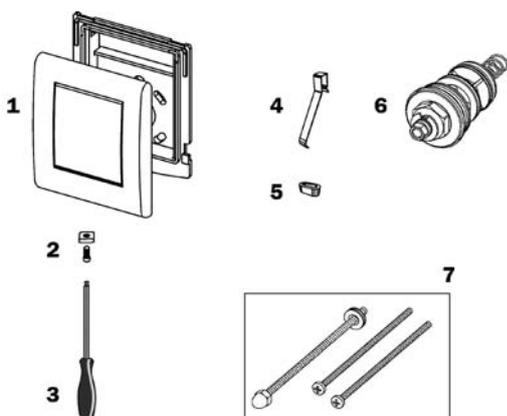
Item	Order No.	Description
1	9 820 094	Mains connection adapter
2	9 820 140	Motor with splash guard
3	9 820 206	Electronics 12 V, cable-connected



## Urinal push plates

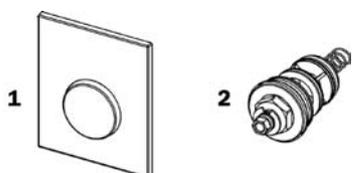
### TECEambia urinal push plate

Item	Order No.	Description
1		TECEambia push plate
	9 820 081	White
	9 820 129	White, antibacterial
	9 820 130	Pergamon grey
2	9 820 097	Fastening screw
3	9 820 091	Hollow hexagon wrench
4	9 820 020	Push-button springs, set of two
5	9 820 024	Rubber buffer, set of two
6	9 820 031	Cartridge
7	9 820 095	Extension set (max. 13 cm)



### TECEplanus urinal push plate

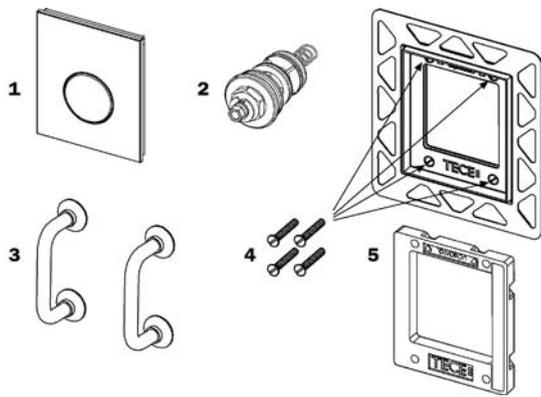
Item	Order No.	Description
1		TECEplanus push plate
	9 820 082	White, silk-mat
	9 820 083	Brushed stainless steel
	9 820 084	Bright chrome
2	9 820 097	Fastening screw
3	9 820 091	Hollow hexagon wrench
4	9 820 020	Push-button springs, set of two
5	9 820 024	Rubber buffer, set of two
6	9 820 031	Cartridge
7	9 820 095	Extension set (max. 13 cm)



### TECEloop urinal push plate, plastic

Item	Order No.	Description
1		TECEloop push plate
	9 820 182	white
	9 820 186	white antibacterial
	9 820 187	white, button bright chrome
	9 820 183	Pergamon grey
	9 820 184	Matte chrome
	9 820 185	Bright chrome
2	9 820 031	Cartridge

# TECE push plates – spare parts

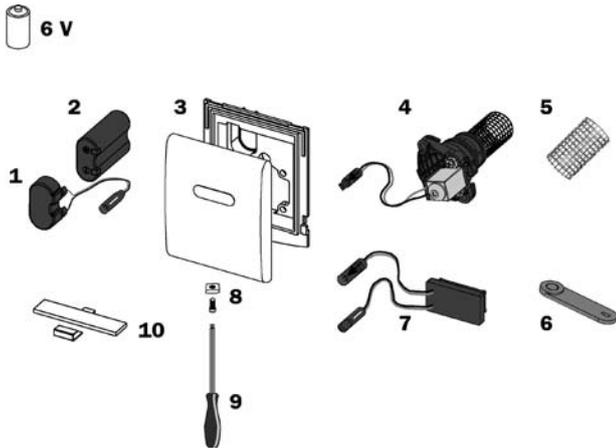


## TECEloop urinal push plate, glass

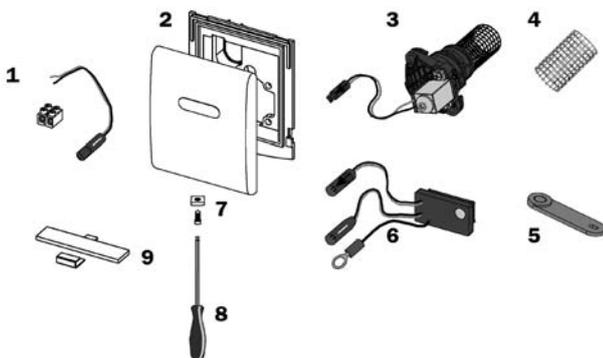
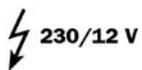
Item	Order No.	Description
1		TECEloop actuation unit
	9 820 169	White glass white button,
	9 820 178	White glass, chrome matte button
	9 820 179	White glass, bright chrome button
	9 820 170	Green glass, white button
	9 820 171	Green glass, chrome matte button
	9 820 172	Green glass, bright chrome button
	9 820 173	Black glass, white button
	9 820 174	Black glass, chrome matte button
	9 820 175	Glass black, button bright chrome
9 820 176	Black glass, button black	
9 820 177	Black glass, button bright gold	
2	9 820 031	Cartridge
3	9 820 180	Bow-type handles
4	9 820 181	Adjustment bolt 18 to 33 mm (extension)
5	9 820 197	Urinal support frame for flush-mounted installation

## Urinal electronics

### TECEplanus urinal electronics, 6 V battery



Item	Order No.	Description
1	9 820 093	Battery connection adapter
2	9 820 092	6 V battery
3		TECEplanus cover plate
	9 820 098	White, silk-mat
	9 820 085	Brushed stainless steel
	9 820 086	Bright chrome
4	9 820 089	Urinal cartridge, electric
5	9 820 090	Grate bar
6	9 820 080	Programming key
7	9 820 087	Infra-red sensor 6 V battery
8	9 820 097	Fastening screw
9	9 820 091	Hollow hexagon wrench
10	9 820 211	Additional vandal-proofing



### TECEplanus urinal electronics, 12 V mains

Item	Order No.	Description
1	9 820 094	Mains connection adapter
2		TECEplanus cover plate
	9 820 098	White, silk-mat
	9 820 085	Brushed stainless steel
	9 820 086	Bright chrome
3	9 820 089	Urinal cartridge, electric
4	9 820 090	Grate bar
5	9 820 080	Programming key
6	9 820 088	Infra-red sensor 12 V mains
7	9 820 097	Fastening screw
8	9 820 091	Hollow hexagon wrench
9	9 820 211	Additional vandal-proofing

# Toilet flush handle

## TECE flushing technology – the flush handle with a rotary mechanism

Why should attractive bathroom design stop when it comes to the toilet flush? The rotary mechanism developed by TECE makes toilet flushes matching the design of high-quality handle series possible for the first time.

All flush handles operate like a top-level bathroom fitting with high-quality ease of operation – don't press - turn. For the first time, it is possible to operate the dual-flush function using a single control element.



The toilet flush handle - the idea underlying the series

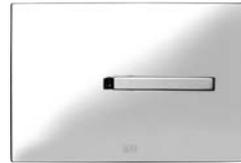
The various handle manufacturers fit TECE's rotary mechanism with a faceplate and control element to match the design of the handle series.



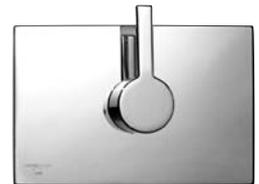
Company: **Jado**  
Series: **Lighthouse**



Company: **Jado**  
Series: **Glance, Geometry, IQ**



Company: **Dornbracht**  
applicable for all series



Company: **Oras**  
Series: **Il Bagno Alessi by Oras**



Company: **Kludi**  
Series: **Kido**



Company: **Kludi**  
Series: **Amphora**



Company: **Kludi**  
Series: **JOOP**

## TECE flush handle partners:





TECElux

**TECElux**  
**Assortment List**



## TECElux – IT'S ALL ON THE INSIDE, RATHER THAN ON THE OUTSIDE ...

The toilet terminal TECElux hides the working parts behind the wall. An extremely flat glass facing closes the inspection opening and conceals the cistern, connections for water and power and, depending on the version, an odour extraction or height adjustment for the ceramics.

With its simple aesthetics, TECElux blends in with the architecture of any bathroom. The terminal's large glass surface consists of two parts that give the appearance of a single unit. The glass facing serves as a splash guard for the wall and means the wall does not have to be tiled. The toilet terminal can be combined with practically any ceramics and even with shower toilets.



reddot design award  
winner 2011



product  
design award

2012



INNOVATIONSPREIS

ARCHITEKTUR+TECHNIK



Designpreis  
Deutschland  
2012  
NOMINIERT

DESIGN PLUS

TECElux has already received numerous awards for its intelligent combination of design and function.

**"sen-Touch"**

The buttons light up when you get closer. The flush is actuated by a slight touch or without contact.

**"m-Lift"**

The toilet for large and small – the height of the toilet ceramic can be adjusted within an eight-centimetre range.

**"ceramic-Air"**

The air is always fresh thanks to "ceramic-Air" by ceramic activated carbon filter.

**"smart-Connect"**

The toilet terminal can be combined with practically any ceramics and with shower toilets.

## TECElux "SEN-TOUCH" – FLUSH LIKE PURE MAGIC

### The electronic flush actuation TECElux "sen-Touch":

A sensor detects when a person is approaching the toilet, and only illuminates the flush buttons then. A slight touch with the finger is all that is needed to actuate the flush. Non-contact flush actuation is even possible in a 10 mm range. The electronic flush actuation is illuminated with energy-saving LEDs.

### Mechanical actuation:

With the mechanical actuation option, the flush is actuated by buttons.



## TECElux "CERAMIC-AIR" – AN END TO BAD ODOURS

An end to bad odours in the bathroom and toilet:

The „ceramic-Air“ air purification system uses a new kind of ceramic activated carbon filter.

Odours are drawn away at the source and cleaned air is passed back into the room. There is no need for any extra fresh air which would first have to be warmed. The air purification system starts when a person approaches and stops automatically after a short run-on time, which avoids unnecessary power consumption. The ceramic activated carbon filter has a long life and only has to be replaced after around five years.



## TECElux "M-LIFT" – THE TOILET FOR LARGE AND SMALL

TECElux enables the height of the toilet ceramics to be adjusted at any time, even after installation. The ceramics do not have to be removed. The height of the ceramics can be continuously adjusted in an eight centimetre range with an adjusting spindle. The glass front moves with the ceramics, so the overall appearance is not marred by joints or gaps.



## TECElux "SMART-CONNECT" – OPEN FOR ALL TECHNOLOGIES

Additional functions on the toilet require space, and frequently also a power or extra water connection. Up until now, the elements were simply added on to the ceramics and the water and power lines installed visibly next to the toilet. These makeshift solutions are now a thing of the past: The new toilet terminal takes equal account of aesthetic and functional factors. TECElux integrates the system components in the pre-wall module invisibly and safely. The large inspection opening is covered by a flat glass facing that permits quick access to the system parts behind it at any time.



## TECElux "SEN-TOUCH" – PROGRAMMED COMFORT

The programming options of the "sen-Touch" electronics enable the advanced version of TECElux to be adapted to individual needs and a range of requirements.

The following programs can be programmed: Sensor recognition range, illumination brightness of the display, hygiene flush, safety flush, subsequent odour extraction, intensity of the odour extraction and cleaning function.





	Page
Product range overview	118–119
Module	120–122
Glass facings	123–125
Accessories	126–127
Spare parts	128–129
Assembly	131–132

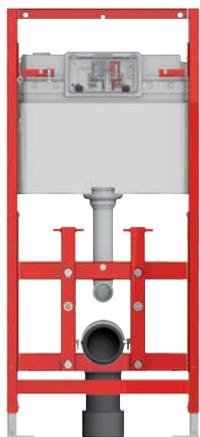
You can find an overview of valid declaration of performance (DOP) at [www.tece.com](http://www.tece.com)

# TECElux – product range overview

## How to order correctly:

A TECElux terminal always consists of: (A) a TECElux module, (B) an upper glass facing and (C) a lower glass facing with notches for different power and water connections.

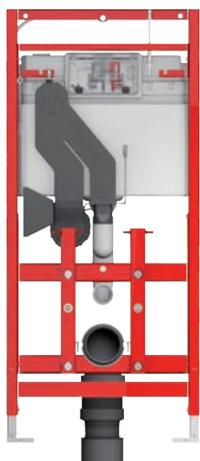
### A TECElux module



TECElux 100  
Order No. 9 600 100



TECElux 200  
Order No. 9 600 200



TECElux 400  
Order No. 9 600 400

### B Upper glass facing white



"sen-Touch"  
Order No. 9 650 002

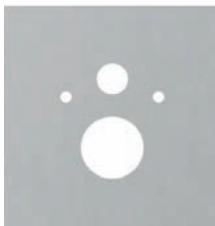


White buttons  
Order No. 9 650 000

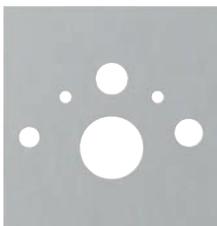


Chrome gloss buttons  
Order No. 9 650 001

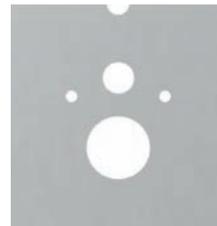
### C Lower glass facing white



Standard toilet  
Order No. 9 650 100



Shower toilet  
Order No. 9 650 101  
Order No. 9 650 103  
Order No. 9 650 104



Shower toilet seat  
Order No. 9 650 102

### B Upper glass facing black\*



"sen-Touch"  
Order No. 9 650 003

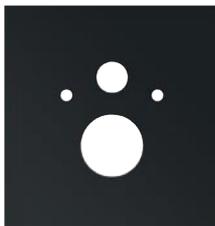


Black buttons  
Order No. 9 650 005

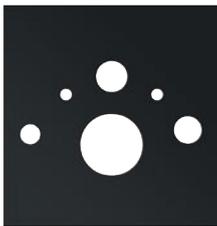


Bright chrome buttons  
Order No. 9 650 004

### C Lower glass facing black\*



Standard toilet  
Order No. 9 650 105



Shower toilet  
Order No. 9 650 106



Shower toilet  
Order No. 9 650 107  
Order No. 9 650 108

## C Overview of lower facing and accessories for toilets and shower toilets



TECElux toilet terminal white



TECElux toilet terminal black

	Standard ceramics (180 mm connection dimension)	TOTO Washlet Neorest AC **	TOTO Washlet Neorest EW **	TOTO Washlet EK	TOTO Washlet GL	TOTO Washlet SG	TOTO Washlet Giovanni	Duravit D-Code	Duravit Sensowash C	Villeroy & Boch Viclean U	Geberit AquaClean 8000 Geberit AquaClean 8000 plus	Geberit AquaClean 6000 Geberit AquaClean 6000 plus	Geberit AquaClean Sela
 9 650 100 (w) 9 650 105 (s)	X												
 Connection for shower toilet 9 650 001		X	X	X	X	X	X	X		X			
 9 650 101 (w) 9 650 106 (s)		X	X								X	X	
 9 650 102 (w)				X	X	X	X	X		X			
 9 650 103 (w) 9 650 107 (s)									X				
 9 650 104 (w) 9 650 108 (s)													X

\*\* If the "sen-Touch" upper facing is used, the remote actuation of the TOTO Neorest does not function.

(w) = glass white,

(s) = glass black

# TECElux-module

## TECElux toilet module 100, installation height 1120 mm

Dry construction element for fitting to TECEprofil section tubes or for installation in metal or wooden post-and-beam walls and as a pre-wall or corner module.

For TECElux glass facing with actuation unit and glass facing with toilet unit.

Fully pre-assembled unit, consisting of:

TECE-UP cistern:

- Safety tank made of impact-resistant plastic
- Cistern fully pre-assembled and sealed
- Corner valve and cistern connection pre-assembled.  
Cistern connection with 1/2" female thread
- 10-litre tank volume; 6-litre pre-set standard flush volume, 9, 7.5, 4.5 litre flush volume can be optimally set at any time; 3-litre partial-flush volume for dual flush technology. Residual volume available for immediate cleaning rinse.
- Insulated for condensation water
- tested to DIN EN 14055
- Fitting group 1 in accordance with DIN 4109 - test certificate P-IX3837/1
- Low-noise hydraulic filling valve LAP ≤ 17 dB(A) at a flow pressure of 3 bar.

Module:

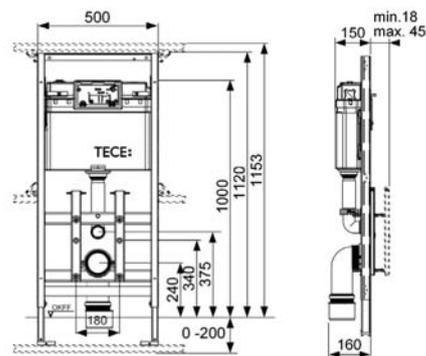
- Self-supporting assembly frame with powder-coated surface.
- depth-adjustable retainer for upper glass facing with actuation unit and lower glass facing with toilet unit.
- Two adjustable supports for floor projections of 0–200 mm.
- Two M 12 retaining bolts and M 12 nuts.
- Retainer for toilet ceramics with spacing of 180 mm
- Toilet drain bend DN 90 with transition piece DN 90/100, material PP
- Transition piece also suitable for horizontal installation
- DN 90 toilet connection fittings, including protective plug
- Large bare-wall protection
- Suitable for wall structures up to 45 mm
- Dimensions 1120 mm x 500 mm x 140 mm

Please order separately:

- Upper glass facing with actuation unit
- Lower glass facing with toilet unit
- Fitting for individual pre-wall, corner or wooden post-and-beam structures

Optional accessories:

TECElux upgrade set odour extraction ceramic-Air (9 660 000), only in conjunction with the "sen-Touch" upper glass facing with actuation unit.



Order No.	DU 1	DU 2	DU 3
9 600 100	1 pc.	6 pcs.	12 pcs.

**TECElux toilet module 200, installation height 1120 mm with subsequent height adjustment**

Dry construction element for fitting to TECEprofil section tubes or for installation in metal or wooden post-and-beam walls and as a pre-wall or corner module.

For TECElux glass facing with actuation unit and glass facing with toilet unit, height can subsequently be manually adjusted in an 8 cm range.

Fully pre-assembled unit, consisting of:

**TECE-UP cistern:**

- Safety tank made of impact-resistant plastic
- Cistern fully pre-assembled and sealed.
- Corner valve and cistern connection pre-assembled.  
Cistern connection with 1/2" male thread
- 10-litre tank volume; 6-litre pre-set standard flush volume, 9, 7.5, 4.5 litre flush volume can be optimally set at any time; 3-litre partial-flush volume for dual flush technology.  
Residual volume available for immediate cleaning rinse.
- Insulated for condensation water
- tested to DIN EN 14055
- Fitting group 1 in accordance with DIN 4109 - test certificate P-IX3837/I
- Low-noise hydraulic filling valve  $LAP \leq 17 \text{ dB(A)}$  at a flow pressure of 3 bar.

**Module:**

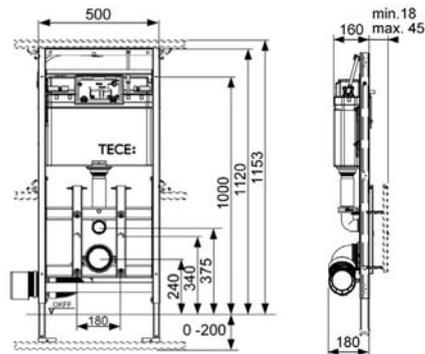
- Self-supporting assembly frame with powder-coated surface
- depth-adjustable retainer for upper glass facing with actuation unit and lower glass facing with toilet unit, height can also be subsequently manually adjusted
- Two adjustable supports for floor projections of 0 – 200 mm
- Two M 12 retaining bolts and M 12 nuts
- Retainer for toilet ceramics with spacing of 180 mm
- Flex. Toilet drain bend DN 90, connection piece material PE-HD (weldable), incl. transition piece DN 90/100 made of PP
- DN 90 toilet connection fittings, including protective plug
- Large bare-wall protection
- Suitable for wall structures up to 45 mm
- Dimensions 1120 mm x 500 mm x 140 mm

**Please order separately:**

- Upper glass facing with actuation unit
- Lower glass facing with toilet unit
- Fitting for individual pre-wall, corner or wooden post-and-beam structures

**Optional accessories:**

TECElux upgrade set odour extraction ceramic-Air (9 660 000), only in conjunction with the "sen-Touch" upper glass facing with actuation unit.



Order No.	DU 1	DU 2	DU 3
9 600 200	1 pc.	6 pcs.	12 pcs.

# TECElux-module

## TECElux toilet module 400, installation height 1120 mm with subsequent height adjustment and odour extraction

Dry construction element for fitting to TECEprofil section tubes or for installation in metal or wooden post-and-beam walls and as a pre-wall or corner module.

For TECElux glass facing with actuation unit "sen-Touch" and glass facing with toilet unit, height can subsequently be manually adjusted in an 8 cm range, incl. "ceramic-Air" odour extraction.

Fully pre-assembled unit, consisting of:

### TECE-UP cistern:

- Safety tank made of impact-resistant plastic
- Cistern fully pre-assembled and sealed
- Corner valve and cistern connection pre-assembled.  
Cistern connection with 1/2" male thread
- 10-litre tank volume; 6-litre pre-set standard flush volume, 9, 7.5, 4.5 litre flush volume can be optimally set at any time; 3-litre partial-flush volume for dual flush technology.  
Residual volume available for immediate cleaning rinse.
- Insulated for condensation water
- tested to DIN EN 14055
- Fitting group 1 in accordance with DIN 4109 - test certificate P-IX3837/I
- Low-noise hydraulic filling valve  $LAP \leq 17 \text{ dB(A)}$  at a flow pressure of 3 bar.

### Module:

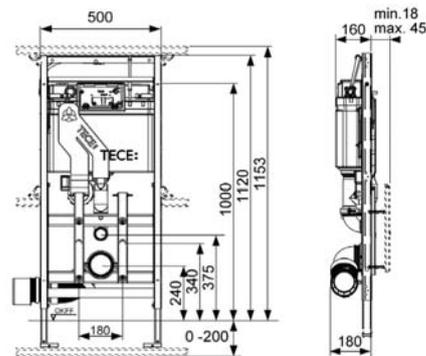
- Self-supporting assembly frame with powder-coated surface.
- depth-adjustable retainer for upper glass facing with actuation unit and lower glass facing with toilet unit, height can also be subsequently manually adjusted
- Two adjustable supports for floor projections of 0 – 200 mm
- Two M 12 retaining bolts and M 12 nuts
- Retainer for toilet ceramics with spacing of 180 mm
- Flex. Toilet drain bend DN 90, connection piece material PE-HD (weldable), incl. transition piece DN 90/100 made of PP
- DN 90 toilet connection fittings, including protective plug
- Large bare-wall protection
- Suitable for wall structures up to 45 mm
- Dimensions 1120 mm x 500 mm x 140 mm

Low-noise odour extraction "ceramic-Air" with long-term filter cartridge.

Please order separately:

- Upper glass facing with actuation unit "sen-Touch"
- Lower glass facing with toilet unit
- Fitting for individual pre-wall, corner or wooden post-and-beam structures

Order No.	DU 1	DU 2	DU 3
9 600 400	1 pc.	6 pcs.	12 pcs.



## TECElux glass facing with manual actuation

Upper glass glass facing with actuation unit for TECElux module with two spring-mounted push-buttons.

Including actuating rods and mounting material.

Assembly only in conjunction with the lower glass facing with toilet unit.

Dimensions: 430 x 555 x 16 mm



Description	Colour	Exhibit**	Order No.	DU 1	DU 2
TECElux	White glass, white buttons	✓	9 650 000	1 pc.	20 pcs.
TECElux	White glass, bright chrome buttons	✓	9 650 001	1 pc.	20 pcs.
TECElux	Black glass, bright chrome buttons	✓	9 650 004* NEW	1 pc.	20 pcs.
TECElux	Black glass, black buttons	✓	9 650 005* NEW	1 pc.	20 pcs.

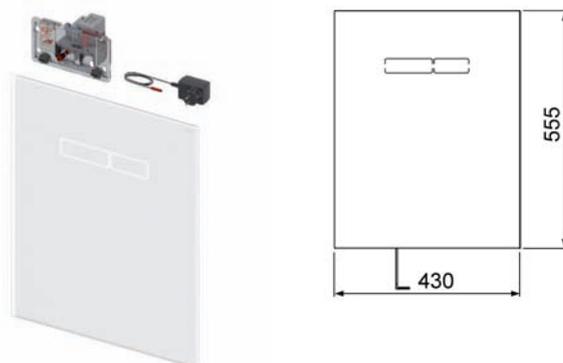
## TECElux glass facing with electronic "sen-Touch" actuation

Upper glass facing with actuation unit for TECElux module with electronic "sen-Touch" actuation in combination with mounting material.

Incl. plug-in power pack (connection voltage 230 V) with dual-flush actuation motor

Assembly only in conjunction with the lower glass facing with toilet unit.

Dimensions: 430 x 555 x 16 mm



Function of the "sen-Touch" electronics:

The sensor detects when a person is approaching the toilet, and only illuminates the flush buttons then. The flush is actuated by a slight touch or without contact.

The "sen-Touch" electronics can be adjusted to meet individual requirements by programming.

Programmable functions

- The sensor's recognition area
- The sensor's recognition area
- Hygienic flushing
- Subsequent odour extraction
- Intensity odour extraction
- Cleaning function

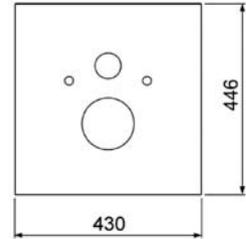
Description	Colour	Exhibit**	Order No.	DU 1	DU 2
TECElux	White glass	✓	9 650 002	1 pc.	20 pcs.
TECElux	Black glass	✓	9 650 003* NEW	1 pc.	20 pcs.

# TECElux – glass facings

## TECElux glass facing for standard toilet

Lower glass facing with toilet unit for combination with toilet ceramics distance 180 mm, incl. sound insulation kit.

Dimensions: 430 x 446 x 16 mm



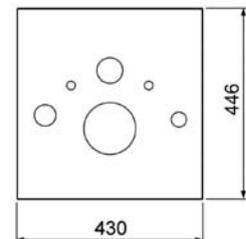
Description	Colour	Exhibit**	Order No.	DU 1	DU 2
TECElux	White glass	✓	9 650 100	1 pc.	20 pcs.
TECElux	Black glass	✓	9 650 105* NEW	1 pc.	20 pcs.

## TECElux glass facing for shower toilet (Toto, Geberit)

Lower glass facing with toilet unit for combination with shower toilet TOTO Neorest and Geberit AquaClean 8000/ 8000 plus, incl. sound insulation kit and reinforced pipe for cistern.

If a TOTO shower toilet is installed, please use connection set for shower toilet (9 660 001).

Dimensions: 430 x 446 x 16 mm

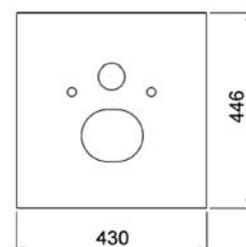
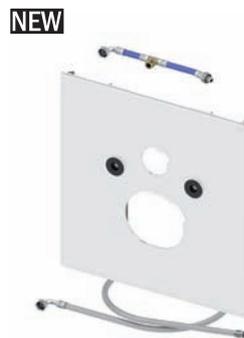


Description	Colour	Exhibit**	Order No.	DU 1	DU 2
TECElux	White glass	–	9 650 101	1 pc.	20 pcs.
TECElux	Black glass	–	9 650 106* NEW	1 pc.	20 pcs.

## TECElux glass facing for shower toilet Duravit

Lower glass facing for combination with shower toilet Duravit SensoWash C, incl. sound insulation kit, replacement reinforced pipe for cistern, and long reinforced pipe with connection.

Dimensions: 430 x 446 x 16 mm



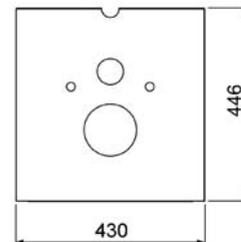
Description	Colour	Exhibit**	Order No.	DU 1	DU 2
TECElux	White glass	–	9 650 103 NEW	1 pc.	20 pcs.
TECElux	Black glass	–	9 650 107* NEW	1 pc.	20 pcs.

## TECElux glass facing for shower toilet seat

Lower glass facing for combination with shower toilet seat TOTO Washlet or Aquaclean 5000/5000 plus, incl. sound absorption set and replacement reinforced pipe for cistern.

If a TOTO shower toilet seat is installed, please use connection set for shower toilet (9 660 001).

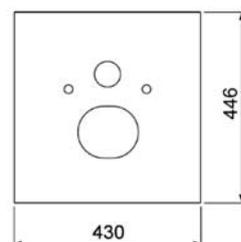
Dimensions: 430 x 446 x 16 mm



Description	Colour	Exhibit**	Order No.	DU 1	DU 2
TECElux	White glass	—	9 650 102	1 pc.	--

## TECElux glass facing for shower toilet Geberit Sela

Lower toilet glass facing for combination with shower toilet Geberit Sela, incl. sound insulation kit and replacement reinforced pipe for cistern.



Description	Colour	Exhibit**	Order No.	DU 1	DU 2
TECElux	White glass	—	9 650 104 NEW	1 pc.	20 pcs.
TECElux	Black glass	—	9 650 108* NEW	1 pc.	20 pcs.

## TECElux – accessories

### Upgrade set extraction "ceramic-Air"

Upgrade set for subsequent installation of "ceramic-Air" odour extraction for toilet terminal TECElux 100 or TECElux 200.

The upgrade set consists of:

- Odour extraction housing incl. fan and air outlet
- Filter cartridge
- Mounting material
- Flush pipe with connection for odour extraction
- Drain valve



Order No.	DU 1
9 660 000	1 pc.

### Connection set for shower toilet

Long reinforced pipe with connection for TOTO Neorest or TOTO Washlet.



Order No.	DU 1
9 660 001	1 pc.

### Connection set for electrical connection

For fixed electrical connection of the "sen-Touch" glass facing in protection area II.

The connection set consists of:

- Empty socket protection class IP 44
- Transformer 230/12 V.
- "sen-Touch" connection cable



Order No.	DU 1
9 660 002	1 pc.

**Sound insulation kit**

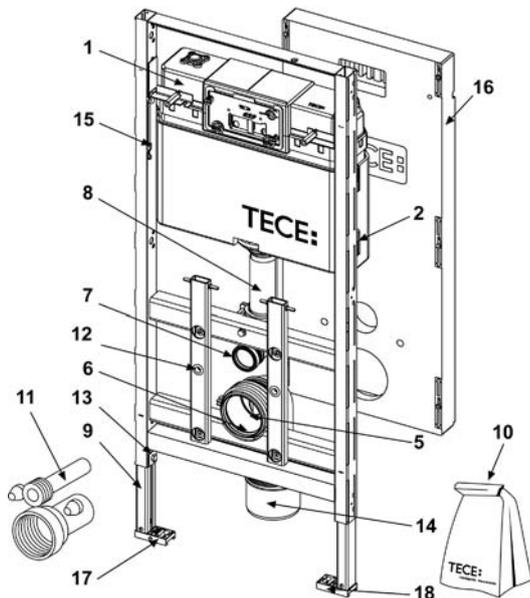
For sound insulation between the toilet and lower glass facing.

**NEW**



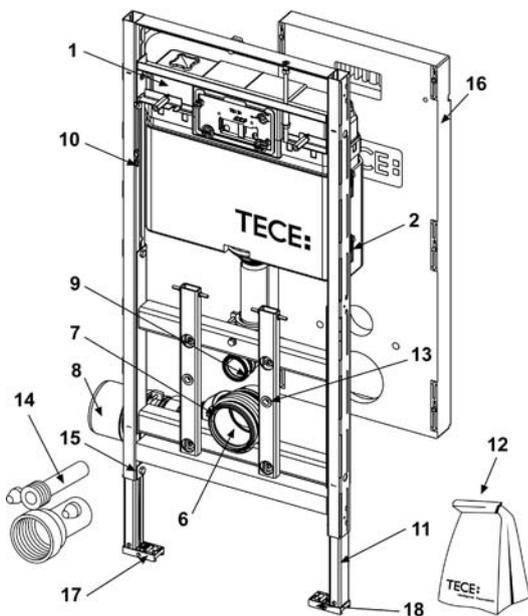
Order No.	DU 1
9 820 294 NEW	1 pc.

# TECElux – spare parts



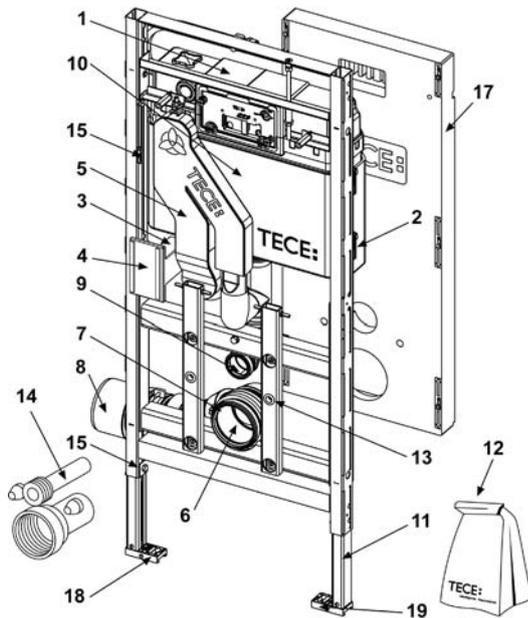
## 9 600 100 – toilet module 100, installation height 1120 mm

Item	Order No.	Description
1	See ET	Cistern, front-actuated cistern (page 65 ff.)
2	9 820 040	Assembly kit for cistern
5	9 820 134	Toilet drain bend DN 90 (PP)
6	9 820 139	Seal for toilet drain bend/adaptor
7	9 820 015	Flush pipe seal
8	9 820 011	Flush pipe with O-ring
9	9 820 335	C-profile for modul foot <b>NEW</b>
10	9 820 043	By-pack for toilet module
11	9 820 057	Connection set DN 90 for toilet
12	9 820 071	Insert nut
13	9 820 072	Service brake
14	9 820 136	Adapter DN 90/DN 100 (PP)
15	9 820 329	Securing cable <b>NEW</b>
16	9 820 330	Bare wall protection <b>NEW</b>
17	9 820 332	Modul foot w. toggle left <b>NEW</b>
18	9 820 333	Modul foot w. toggle right <b>NEW</b>



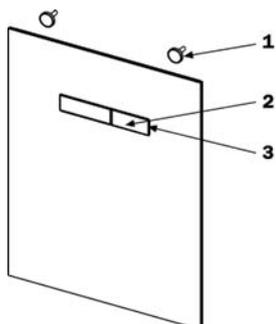
## 9 600 200 – toilet module 200, installation height 1120 mm

Item	Order No.	Description
1	See ET	Cistern, front-actuated cistern (page 65 ff.)
2	9 820 040	Assembly kit for cistern
6	9 820 317	flexible drain bend <b>NEW</b>
7	9 820 139	Seal for toilet drain bend/adaptor
8	9 820 136	Adapter DN 90/DN 100 (PP)
9	9 820 015	Flush pipe seal
10	9 820 329	Securing cable
11	9 820 335	C-profile for modul foot <b>NEW</b>
12	9 820 043	By-pack for toilet module
13	9 820 071	Insert nut
14	9 820 057	Connection set DN 90 for toilet
15	9 820 072	Service brake
16	9 820 330	Bare wall protection <b>NEW</b>
17	9 820 332	Modul foot w. toggle left <b>NEW</b>
18	9 820 333	Modul foot w. toggle right <b>NEW</b>



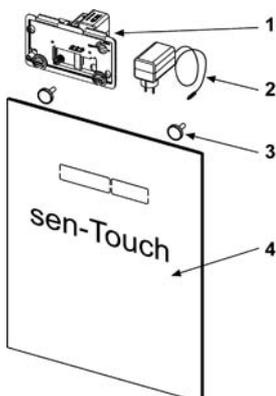
## 9 600 400 – toilet module 400, installation height 1120 mm

Item	Order No.	Description
1	See ET	Cistern, front-actuated cistern (page 65 ff.)
2	9 820 040	Assembly kit for cistern
3	9 820 301	Filter cartridge
4	9 820 300	Air outlet
5	9 820 311	ceramic-Air odour extraction <b>NEW</b>
6	9 820 317	flexible drain bend <b>NEW</b>
7	9 820 139	Seal for toilet drain bend/adaptor
8	9 820 136	Adapter DN 90/DN 100 (PP)
9	9 820 015	Flush pipe seal
10	9 820 302	Drain valve TECElux
11	9 820 335	C-profile for modul foot <b>NEW</b>
12	9 820 043	By-pack for toilet module
13	9 820 071	Insert nut
14	9 820 057	Connection set DN 90 for toilet
15	9 820 072	Service brake
16	9 820 329	Securing cable <b>NEW</b>
17	9 820 330	Bare wall protection <b>NEW</b>
18	9 820 332	Modul foot w. toggle left <b>NEW</b>
19	9 820 333	Modul foot w. toggle right <b>NEW</b>



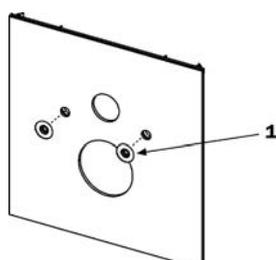
### Glass facing with manual actuation

Item	Order No.	Description
1	9 820 287	Adjusting magnets
2	9 820 288	Button set, white
	9 820 289	Button set, bright chrome
3	9 820 290	Button set accessories



### Glass facing with electronic "sen-Touch" actuation

Item	Order No.	Description
1	9 820 284	Actuation motor
2	9 820 286	Plug-in power pack
3	9 820 287	Adjusting magnets
4	9 820 285	"sen-Touch" glass facing

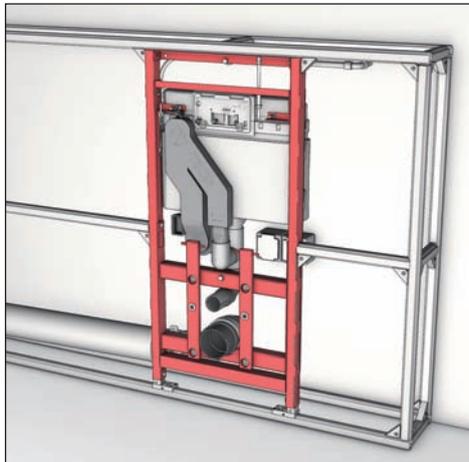


### Glass facing for toilet

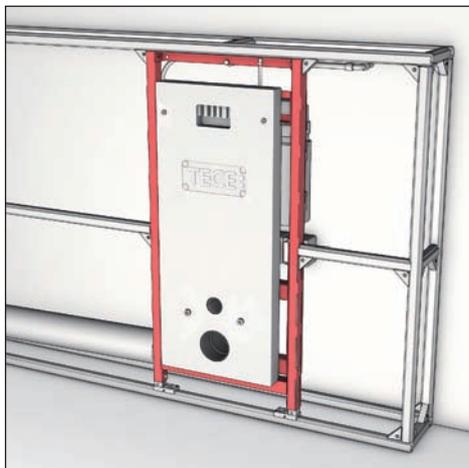
Item	Order No.	Description
1	9 820 291	Glass protection caps



Despite the functional variety of the TECElux module, assembly can be carried out in just a few simple work steps. Thanks to the sophisticated TECE pre-wall technology the wheel does not need to be reinvented.



Installation of the module, e.g. in a TECEprofil pre-wall. Water, waste water and electricity (socket) are then connected.

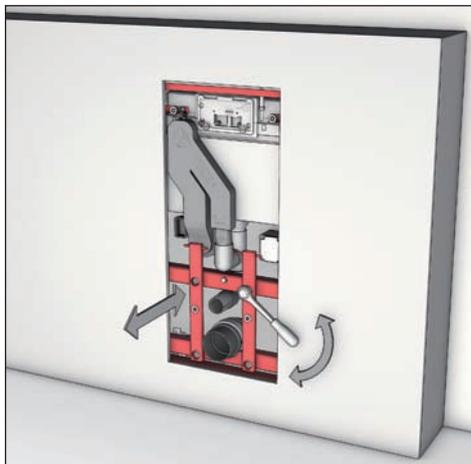


The bare-wall protection is installed before panelling.

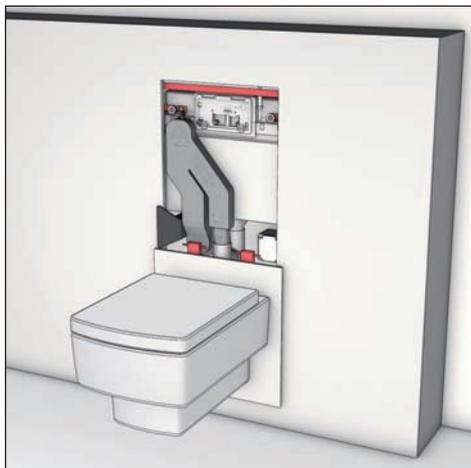


The pre-wall is covered with conventional wet room boards. The wall is then covered with tiles or plaster.

## TECElux – assembly



After removal of the bare-wall protection, the retainer for the lower glass facing is adapted to the wall thickness.



The lower glass facing and ceramics – with sound insulation kit – are then mounted.



When the upper glass facing has been installed, assembly is complete.



TECEdrainline



**TECEdrainline**  
**Assortment List**

**TECE:**

Intelligente Haustechnik



TECEdrainline tileable channel

## TECEdrainline – PERFECT PLEASURE WHEN TAKING A SHOWER

TECEdrainline frees the bathroom from disturbing separations such as the shower trays and allows a uniform floor design. This produces barrier-free bathrooms with a generous character – real space for living. TECEdrainline shower channels come either with stainless steel/glass covers or with the "plate" tileable channel where a plain slot in the floor is the only thing that can be seen.



## HYGIENE CAN BE THIS EASY ...

Lift up, wipe, finished!

The channel body is made of stainless steel, does not have any gaps and screws, and is therefore easy to clean.

## THE TECEdrainline MODULAR SYSTEM

The TECEdrainline range is a modular system consisting of numerous covers, channels and drains. This can be combined with each other as desired. There are five different drains for different requirements and construction situations: e.g. drains with a particularly low installation height for the renovation of old buildings, or drains with a very high drainage capacity for power showers.

The range also includes solutions for fire protection. Accessories such as levelling feet, odour traps or sound insulation mats are available as optional extras.

TECEdrainline grates are available in nominal lengths of 700, 800, 900, 1000, 1200 and 1500 mm and as an angled channel to 1200 mm.





TECEDrainline channel installed close to the wall

## FOR INSTALLATION AT THE WALL THE TECEDrainline CHANNEL WITH WALL UPSTAND

In addition to the flange of the TECEDrainline shower channel with an edge that can be turned up manually, a channel with the edge turned up in the factory is now available in all the usual lengths.

**NEW**



TECEDrainline tileable channel

## TILEABLE CHANNEL "PLATE II"

Tileable channel made of stainless steel as insert for the channel body, for the attachment of tiles.

This allows a uniform design of the shower area. All that remain are two narrow openings. In the "plate II" tileable channel, the otherwise usual hollow feet made of plastic are not necessary.

As a result, the product is more high-class, easier to clean, and visually more elegant.

**NEW**



## TECEDrainline MEMBRANE ODOUR TRAP

The new, two-stage membrane odour trap prevents unpleasant odours more reliably than the conventional siphons, which only operate with water.

It prevents the sealing water from evaporating and also works as a vermin barrier.

It is therefore ideal for properties such as hotels, holiday homes and so on.

The immersion pipe made of plastic with an inner sealing lip membrane can be retrofitted at any time, even in channels that are already in use.

**NEW**

## POINT, LINE – SEALED!

Seal System – the new sealing standard or TECE drains and shower channels



### What is Seal System?

Seal System offers TECE installers and tilers tested safety when connecting composite seals to TECEdrainline channels and TECEdrainpoint S drains. The testing was done by the independent testing institute Kiwa TBU, and was performed according to the building authorities test criteria applicable in Germany. 50 sealing products from well-known manufacturers were successfully tested and certified. For this purpose, the functional safety (water-tightness) of the composite sealing products was tested with the TECE drainage products.

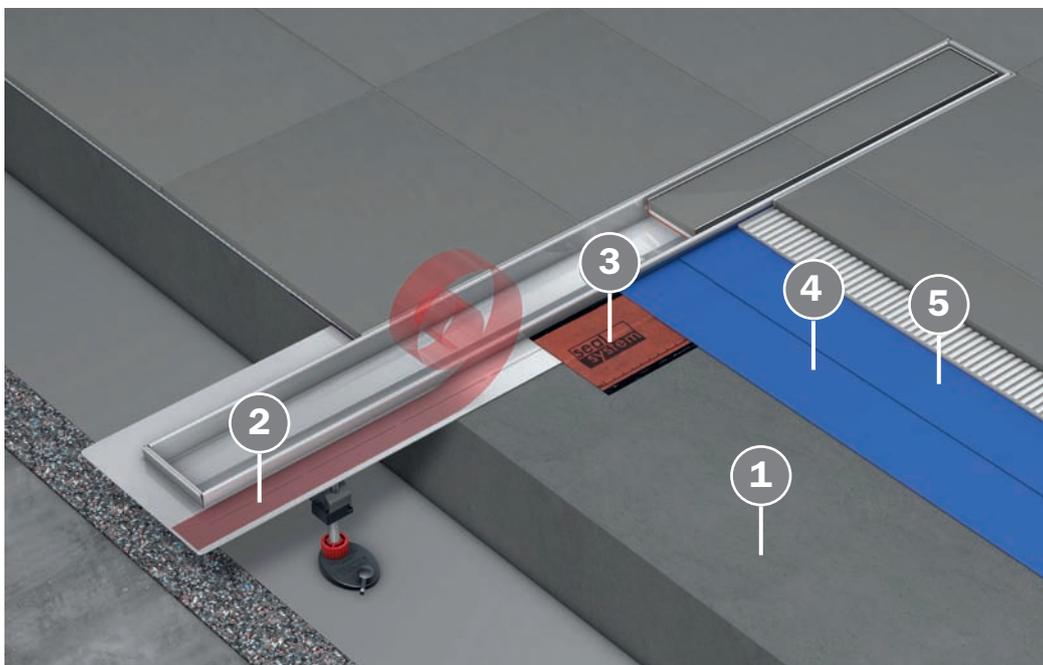
A list of all the certified composite seals can be called up at [www.sealsystem.net](http://www.sealsystem.net).



The shower channel Seal System consists of the following components:

1. TECEdrainline shower channel
2. Seal System sealing tape
3. one of the 50 tested and certified sealing products

Example of Seal System sealing of a TECEdrainline channel with a certified sealing product. A certificate is available for each product which passed the test.



- 1 Screed
- 2 Protective film Channel flange
- 3 Seal System sealing tape
- 4 First coat slurry seal
- 5 Second coat slurry seal



	Page
Channel, straight	138
Channel, straight with wall upstand	139
Design covers, straight	140–143
Angled channel	144
Design covers for angled channel	145
Channels for natural stone	146
Drains, accessories	147–151
Spare parts	152
Measurement sheets custom channels	153–154
Measurement sheets custom channels for natural stones	155–156

You can find an overview of valid declaration of performance (DOP) at [www.tece.com](http://www.tece.com)



## THE NEW STANDARD REFERENCE WORK ON COMPOSITE SEALING

The 272 page standard reference work for the certified composite seal. With more than 100 basic testing certificates issued by KIWA TBU in Greven relating to point and linear drains, at a price of 36 euros incl. VAT, available from booksellers, ISBN 978-3-00-040275-3. This book is only available in German language.

### POINT. LINE. SEALED!

by Martin Krabbe, Reinhold P. Bäder et al.

With information to help with the planning and installation of sealing systems in sanitary facilities, notes on the waterproofing of buildings and floor structures incorporating drainage solutions and explanatory notes on the relevant standards.

# TECEdrainline – channels, straight

## TECEdrainline channel, straight, with Seal System\* sealing tape

Straight shower channel for installation in the screed, with flange and Seal System sealing tape for creating a tested and certified connection of the TECEdrainline channel to the composite seal.

Components:

- Channel body with flange made of polished stainless steel, material 1.4301 (304)
- Seal System\* sealing tape with matting for installation by the customer in the liquid or strip composite seal
- Connecting clip for anchoring on plaster floor and fitting of optional assembly feet
- With central connection trim for drain
- with internal incline for improved water drainage and self-cleaning effect
- Seals

Length in unfinished state incl. flange = 711, 811, ... mm  
 Visible length after installation = 651, 751, ... mm  
 Width in unfinished state incl. flange = 151 mm  
 Visible width after installation = 71 mm  
 installation height to upper edge of finished floor (depending on drain):

- 65 mm "vertical" drain
- 67 mm "extra-flat" drain
- 95 mm "flat" drain"
- 120 mm "standard" drain
- 148 mm "max" drain

Please order separately:

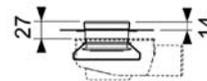
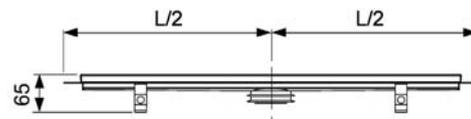
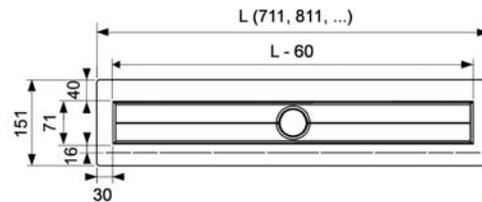
- Design grate or tileable channel
- Outlet
- Assembly feet (optional)
- Drainbase sound insulation mat (optional), for adherence to installation noise level according to DIN 4109 and VDI 4100 sound protection levels (SSt) I to III

Nominal length	Total length L	Visible dimensions after installation L - 60 mm	Order No.	DU 1	DU 2
700 mm	711 mm	651 mm	6 007 00	1 pc.	55 pcs.
800 mm	811 mm	751 mm	6 008 00	1 pc.	55 pcs.
900 mm	911 mm	851 mm	6 009 00	1 pc.	55 pcs.
1000 mm	1011 mm	951 mm	6 010 00	1 pc.	55 pcs.
1200 mm	1211 mm	1151 mm	6 012 00	1 pc.	55 pcs.
1500 mm	1511 mm	1451 mm	6 015 00	1 pc.	55 pcs.

### Custom lengths, exclusive designs

We will be happy to produce custom lengths or a grate design to suit your own specifications. We will advise you of the costs when you submit your enquiry. The delivery time is about four to six weeks after approval and clarification of all details- Custom lengths and custom finishes cannot be cancelled after approval is given, and cannot be returned.

Maximum length to order: 1500 mm.



# TECEdrainline – channel, straight with wall upstand

## TECEdrainline channel, straight, with wall upstand and Seal System\* sealing tape

Straight shower channel with wall upstand for installation in the screed against the wall, with flange and Seal System\* sealing tape, for creating a tested and certified connection of the TECEdrainline channel to the composite seal.

Components:

- Channel body with flange made of polished stainless steel, material 1.4301 (304)
- Seal System\* sealing tape with matting for installation by the customer in the liquid or strip composite seal
- Connecting clip for anchoring on plaster floor and fitting of optional assembly feet
- With central connection trim for drain
- with internal incline for improved water drainage and self-cleaning effect
- Seals

Length in unfinished state incl. flange = 711, 811, ... mm

Visible length after installation = 651, 751, ... mm

Width in unfinished state incl. flange = 124 mm

Visible width after installation = 69 mm

installation height to upper edge of finished floor (depending on drain):

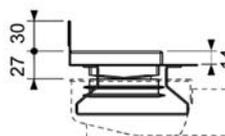
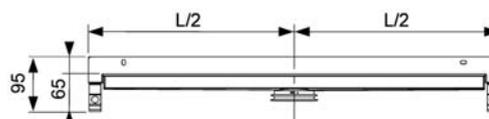
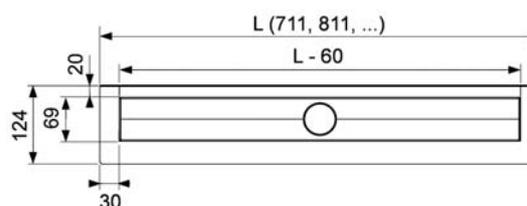
- 65 mm "vertical" drain
- 67 mm "extra-flat" drain
- 95 mm "flat" drain"
- 120 mm "standard" drain

**Caution: Not compatible with the "max" drain.**

Please order separately:

- Design grate or tileable channel
- Outlet
- Assembly feet (optional)
- Drainbase sound insulation mat (optional), for adherence to installation noise level according to DIN 4109 and VDI 4100 sound protection levels (SSt) I to III

**NEW**



TECEdrainline

Nominal length	Total length L	Visible dimensions after installation L - 60 mm	Order No.	DU 1	DU 2
700 mm	711 mm	651 mm	6 007 01 NEW	1 pc.	40 pcs.
800 mm	811 mm	751 mm	6 008 01 NEW	1 pc.	40 pcs.
900 mm	911 mm	851 mm	6 009 01 NEW	1 pc.	40 pcs.
1000 mm	1011 mm	951 mm	6 010 01 NEW	1 pc.	40 pcs.
1200 mm	1211 mm	1151 mm	6 012 01 NEW	1 pc.	40 pcs.
1500 mm	1511 mm	1451 mm	6 015 01 NEW	1 pc.	40 pcs.

# TECEdrainline – design covers, straight

## TECEdrainline "plate" tileable channel for channel, straight

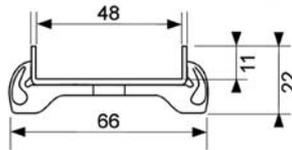
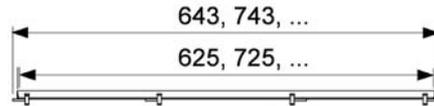
Tileable channel for TECEdrainline shower channel, for fitting into the channel body, made of stainless steel with polished visible edges. Maximum text load 300 kg based on load class K3. Tiles can be attached by the customer using elastic adhesive, e.g. silicon or epoxy resin adhesive.

Caution: Check the adhesive to ensure tile tolerance!

Design version = "plate"

Nominal length	Surface	Order No.	DU 1
700 mm	polished	6 007 70	1 pc.
800 mm	polished	6 008 70	1 pc.
900 mm	polished	6 009 70	1 pc.
1000 mm	polished	6 010 70	1 pc.
1200 mm	polished	6 012 70	1 pc.
1500 mm	polished	6 015 70	1 pc.

## Design "plate"



## TECEdrainline "plate II" tileable channel for channel, straight

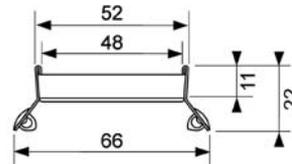
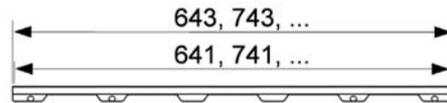
Tileable channel for TECEdrainline shower channel, for fitting into the channel body, made of stainless steel. Maximum text load 300 kg based on load class K3. Tiles can be attached by the customer using elastic adhesive, e.g. silicon or epoxy resin adhesive.

Caution: Check the adhesive to ensure tile tolerance!

Design version = "plate"

Nominal length	Surface	Order No.	DU 1
700 mm	polished	6 007 72 NEW	1 pc.
800 mm	polished	6 008 72 NEW	1 pc.
900 mm	polished	6 009 72 NEW	1 pc.
1000 mm	polished	6 010 72 NEW	1 pc.
1200 mm	polished	6 012 72 NEW	1 pc.
1500 mm	polished	6 015 72 NEW	1 pc.

## Design "plate II" **NEW**



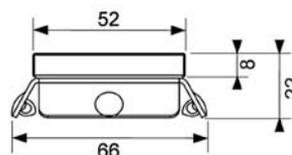
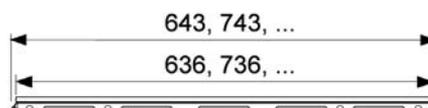
## Glass cover TECEdrainline for channel, straight

Design grate for TECEdrainline shower channel, made of stainless steel with a glass surface, for fitting into the channel body. Maximum test load 300 kg based on load class K3, three different colour designs

Note: Production of special lengths not possible.

Nominal length	Surface	Order No.	DU 1
700 mm	Glass, green	6 007 90	1 pc.
700 mm	Glass, white	6 007 91	1 pc.
700 mm	Glass, black	6 007 92	1 pc.
800 mm	Glass, green	6 008 90	1 pc.
800 mm	Glass, white	6 008 91	1 pc.
800 mm	Glass, black	6 008 92	1 pc.
900 mm	Glass, green	6 009 90	1 pc.
900 mm	Glass, white	6 009 91	1 pc.
900 mm	Glass, black	6 009 92	1 pc.
1000 mm	Glass, green	6 010 90	1 pc.
1000 mm	Glass, white	6 010 91	1 pc.
1000 mm	Glass, black	6 010 92	1 pc.
1200 mm	Glass, green	6 012 90	1 pc.
1200 mm	Glass, white	6 012 91	1 pc.
1200 mm	Glass, black	6 012 92	1 pc.
1500 mm	Glass, green	6 015 90	1 pc.
1500 mm	Glass, white	6 015 91	1 pc.
1500 mm	Glass, black	6 015 92	1 pc.

"glass"

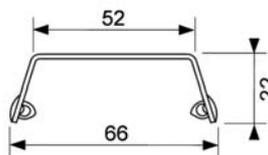
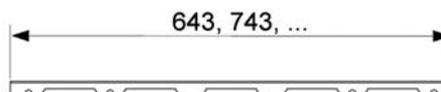


## TECEdrainline design grate "steel II", polished or brushed stainless steel for channel, straight

Design grate for TECEdrainline shower channel (straight version), made of polished or brushed stainless steel, for fitting into the channel body, load capacity pursuant to Load Class K3 – test load 300 kg.

Nominal length	Surface	Order No.	DU 1
700 mm	polished	6 007 82	1 pc.
700 mm	brushed	6 007 83	1 pc.
800 mm	polished	6 008 82	1 pc.
800 mm	brushed	6 008 83	1 pc.
900 mm	polished	6 009 82	1 pc.
900 mm	brushed	6 009 83	1 pc.
1000 mm	polished	6 010 82	1 pc.
1000 mm	brushed	6 010 83	1 pc.
1200 mm	polished	6 012 82	1 pc.
1200 mm	brushed	6 012 83	1 pc.
1500 mm	polished	6 015 82	1 pc.
1500 mm	brushed	6 015 83	1 pc.

Design "steel II"

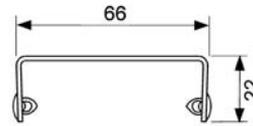
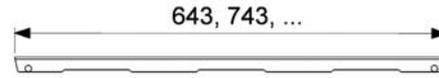


# TECEdrainline – design covers, straight

## TECEdrainline design grate, polished or brushed stainless steel for shower channel, straight

Design grate for TECEdrainline shower channel (straight version), made of polished or brushed stainless steel, for fitting into the channel body.

Maximum test load 300 kg based on load class K3, various designs available



Nominal length	Surface	Order No.	DU 1
700 mm	polished	6 007 10	1 pc.
700 mm	brushed	6 007 11	1 pc.
800 mm	polished	6 008 10	1 pc.
800 mm	brushed	6 008 11	1 pc.
900 mm	polished	6 009 10	1 pc.
900 mm	brushed	6 009 11	1 pc.
1000 mm	polished	6 010 10	1 pc.
1000 mm	brushed	6 010 11	1 pc.
1200 mm	polished	6 012 10	1 pc.
1200 mm	brushed	6 012 11	1 pc.
1500 mm	polished	6 015 10	1 pc.
1500 mm	brushed	6 015 11	1 pc.

Nominal length	Surface	Order No.	DU 1
700 mm	polished	6 007 20	1 pc.
700 mm	brushed	6 007 21	1 pc.
800 mm	polished	6 008 20	1 pc.
800 mm	brushed	6 008 21	1 pc.
900 mm	polished	6 009 20	1 pc.
900 mm	brushed	6 009 21	1 pc.
1000 mm	polished	6 010 20	1 pc.
1000 mm	brushed	6 010 21	1 pc.
1200 mm	polished	6 012 20	1 pc.
1200 mm	brushed	6 012 21	1 pc.
1500 mm	polished	6 015 20	1 pc.
1500 mm	brushed	6 015 21	1 pc.

Nominal length	Surface	Order No.	DU 1
700 mm	polished	6 007 30	1 pc.
700 mm	brushed	6 007 31	1 pc.
800 mm	polished	6 008 30	1 pc.
800 mm	brushed	6 008 31	1 pc.
900 mm	polished	6 009 30	1 pc.
900 mm	brushed	6 009 31	1 pc.
1000 mm	polished	6 010 30	1 pc.
1000 mm	brushed	6 010 31	1 pc.
1200 mm	polished	6 012 30	1 pc.
1200 mm	brushed	6 012 31	1 pc.
1500 mm	polished	6 015 30	1 pc.
1500 mm	brushed	6 015 31	1 pc.

Design "basic"



Design "lines"



Design "drops"



**Design "royal"**



**Design "quadratum"**



**Design "organic"**



Nominal length	Surface	Order No.	DU 1
700 mm	polished	6 007 40	1 pc.
700 mm	brushed	6 007 41	1 pc.
800 mm	polished	6 008 40	1 pc.
800 mm	brushed	6 008 41	1 pc.
900 mm	polished	6 009 40	1 pc.
900 mm	brushed	6 009 41	1 pc.
1000 mm	polished	6 010 40	1 pc.
1000 mm	brushed	6 010 41	1 pc.
1200 mm	polished	6 012 40	1 pc.
1200 mm	brushed	6 012 41	1 pc.
1500 mm	polished	6 015 40	1 pc.
1500 mm	brushed	6 015 41	1 pc.

Nominal length	Surface	Order No.	DU 1
700 mm	polished	6 007 50	1 pc.
700 mm	brushed	6 007 51	1 pc.
800 mm	polished	6 008 50	1 pc.
800 mm	brushed	6 008 51	1 pc.
900 mm	polished	6 009 50	1 pc.
900 mm	brushed	6 009 51	1 pc.
1000 mm	polished	6 010 50	1 pc.
1000 mm	brushed	6 010 51	1 pc.
1200 mm	polished	6 012 50	1 pc.
1200 mm	brushed	6 012 51	1 pc.
1500 mm	polished	6 015 50	1 pc.
1500 mm	brushed	6 015 51	1 pc.

Nominal length	Surface	Order No.	DU 1
700 mm	polished	6 007 60	1 pc.
700 mm	brushed	6 007 61	1 pc.
800 mm	polished	6 008 60	1 pc.
800 mm	brushed	6 008 61	1 pc.
900 mm	polished	6 009 60	1 pc.
900 mm	brushed	6 009 61	1 pc.
1000 mm	polished	6 010 60	1 pc.
1000 mm	brushed	6 010 61	1 pc.
1200 mm	polished	6 012 60	1 pc.
1200 mm	brushed	6 012 61	1 pc.
1500 mm	polished	6 015 60	1 pc.
1500 mm	brushed	6 015 61	1 pc.

# TECEdrainline – angled channel

## TECEdrainline angled channel with Seal System\* sealing tape

Shower channel with 90° angle for installation in the screed, with flange and Seal System\* sealing tape for creating a tested and certified connection of the TECEdrainline channel to the composite seal.

Components:

- Channel body with flange made of polished stainless steel, material 1.4301 (304)
- Seal System\* sealing tape with matting for installation by the customer in the liquid or strip composite seal
- Connecting clip for anchoring on plaster floor and fitting of optional assembly feet
- with two connection trims for drain
- with internal incline for improved water drainage and self-cleaning effect
- Seals

Length in unfinished state incl. flange = 944, 1044, ... mm

Visible length after installation = 874, 974, ... mm

Width in unfinished state incl. flange = 151 mm

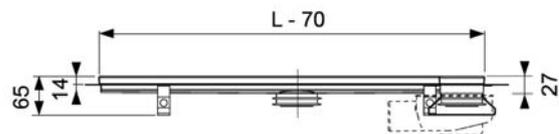
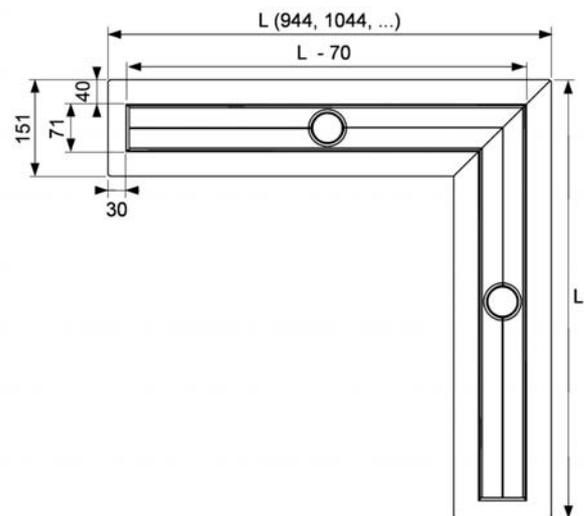
Visible width after installation = 71 mm

installation height to upper edge of finished floor (depending on drain):

- 65 mm "vertical" drain
- 67 mm "extra-flat" drain
- 95 mm "flat" drain"
- 120 mm "standard" drain
- 148 mm "max" drain

Please order separately:

- Design grate or tileable channel
- 2 drains
- 2 sets assembly feet (optional)
- Drainbase sound insulation mat (optional), for adherence to installation noise level according to DIN 4109 and VDI 4100 sound protection levels (SSt) I to III



Nominal length	Total length L	Visible dimensions after installation L - 70 mm	Order No.	DU 1
900 x 900 mm	944 x 944 mm	874 x 874 mm	6 109 00	1 pc.
1000 x 1000 mm	1044 x 1044 mm	974 x 974 mm	6 110 00	1 pc.
1200 x 1200 mm	1244 x 1244 mm	1174 x 1174 mm	6 112 00	1 pc.

# TECEdrainline – design covers, for angled channel

## TECEdrainline tileable channel "plate" for angled channel 90°

Tileable channel for TECEdrainline shower channel, for fitting into the channel body, made of stainless steel, with polished visible edges, load capacity pursuant to Load Class K3 – test load 300 kg can be attached by the customer using elastic adhesive, e.g. silicon or epoxy resin adhesive.

Caution: Check the adhesive to ensure tile tolerance!

Grate version= "plate", in two parts

Nominal length	Surface	Order No.	DU 1
900 x 900 mm	polished	6 109 70	1 pc.
1000 x 1000 mm	polished	6 110 70	1 pc.
1200 x 1200 mm	polished	6 112 70	1 pc.



Design "plate"

## TECEdrainline design grate, polished stainless steel for angled shower channel (90°)

Design grate for TECEdrainline shower channel (90° angled version), made of polished stainless steel, for fitting into the channel body, load capacity pursuant to Load Class K3 – test load 300 kg.

various designs, two parts

Brushed grates available on request

Nominal length	Surface	Order No.	DU 1
900 x 900 mm	polished	6 109 82	1 pc.
1000 x 1000 mm	polished	6 110 82	1 pc.
1200 x 1200 mm	polished	6 112 82	1 pc.



Design "steel II"

Nominal length	Surface	Order No.	DU 1
900 x 900 mm	polished	6 109 10	1 pc.
1000 x 1000 mm	polished	6 110 10	1 pc.
1200 x 1200 mm	polished	6 112 10	1 pc.



Design "basic"

# TECEdrainline – shower channel for natural stone

## TECEdrainline shower channel for natural stone, straight, with Seal System\* sealing set and stainless steel support as a set

Straight shower channel and support sheet for TECEdrainline shower channel, for installation in the screed and application by the customer of large tiles/natural stone slabs, with flange and Seal System\* sealing tape, for creating a tested and certified connection of the TECEdrainline channel to the composite seal.

### Components:

- Channel body with flange made of polished stainless steel, material 1.4301 (304)
- Seal System\* sealing tape with matting for installation by the customer in the liquid or strip composite seal
- Connecting clip for anchoring on plaster floor and fitting of optional assembly feet
- With central connection trim for drain
- with internal incline for improved water drainage and self-cleaning effect
- Support sheet made of stainless steel – material 1.4301 (304) – for insertion in the channel body
- Seals

Minimal installation height (without covering) to upper edge of channel:

- 51 mm "vertical" drain
- 60 mm "extra-flat" drain
- 87 mm "flat" drain"
- 112 mm "standard" drain
- 140 mm "max" drain

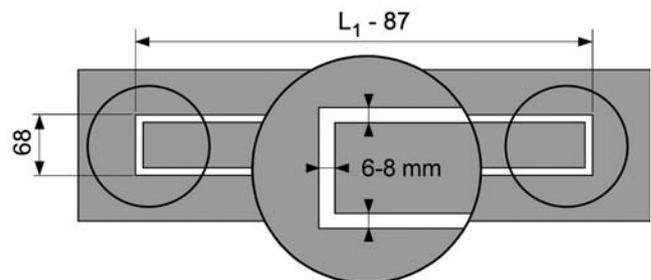
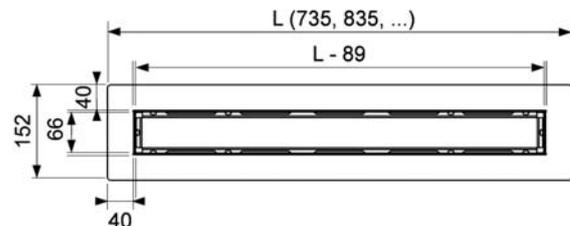
Covering cut-out length x width: (L - 87 mm) x 68 mm

Width of the surrounding drain opening: 6 to 8 mm (see drawing right)

Please order separately:

- Outlet
- Assembly feet (optional)
- Drainbase sound insulation mat (optional), for adherence to installation noise level according to DIN 4109 and VDI 4100 sound protection levels (SSt) I to III

**Caution: "steel II" design grate possible as custom-produced grate (see dimension sheet for natural stone special channel); all other design covers (tileable channel, glass covers, design grates) are unsuitable.**



Nominal length	Total length L	Support sheet length L - 89	Covering cut-out length L - 87	Order No.	DU 1	DU 2
700 mm	735 mm	646 mm	648 mm	6 507 00	1 pc.	55 pcs.
800 mm	835 mm	746 mm	748 mm	6 508 00	1 pc.	55 pcs.
900 mm	935 mm	846 mm	848 mm	6 509 00	1 pc.	55 pcs.
1000 mm	1035 mm	946 mm	948 mm	6 510 00	1 pc.	40 pcs.
1200 mm	1235 mm	1146 mm	1148 mm	6 512 00	1 pc.	40 pcs.
1500 mm	1535 mm	1446 mm	1448 mm	6 515 00	1 pc.	40 pcs.

## TECEdrainline drain "extra-flat", DN 50 side drain, 0.5 l/s\*\*

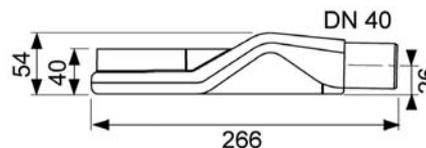
Extra-low drain for the TECEdrainline shower channel for rotatable fitting to the channel body and lateral connection to DN 40 drain pipe, with removable siphon immersion pipe.

- Installation height from bottom edge of drain to upper edge of shower channel = 67 mm
- Drainage capacity of shower channel with design grate "Basic" = 0,5 l/s (without immersion pipe 0,6 l/s)
- reduced sealing water height = 30 mm (without immersion pipe 20 mm)

### Caution:

Because of the low installation height, sufficient screed cover is not possible in the area of the drain. Therefore only use large tiles and fabric to bridge cracks.

Not suitable for wheelchairs!

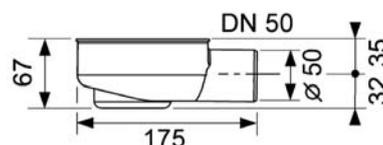


Order No.	DU 1
6 500 04	1 pc.

## Extra-low TECEdrainline drain, DN 50 side drain, 0.7 l/s\*\*

Drain for the TECEdrainline shower channel for rotatable fitting to the channel body and lateral connection to DN 50 drain pipe, with removable siphon immersion pipe

- Installation height from bottom edge of drain to upper edge of shower channel = 95 mm
- Drainage capacity of shower channel with design grate "Basic" = 0,7 l/s
- Reduced sealing water height = 25 mm

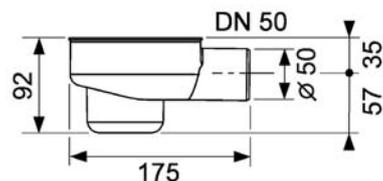


Order No.	DU 1
6 500 00	1 pc.

## Standard TECEdrainline drain, DN 50 side drain, 0.8 l/s\*\*

Standard drain for the TECEdrainline shower channel for rotatable fitting to the channel body and lateral connection to DN 50 drain pipe, with removable siphon immersion pipe

- Assembled height from bottom edge of drain to upper edge of shower channel = 120 mm
- Drainage capacity of shower channel with design grate "Basic" = 0,8 l/s
- Sealing water height = 50 mm in keeping with German/European standard DIN EN 1253



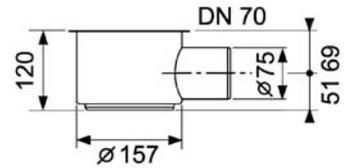
Order No.	DU 1
6 500 01	1 pc.

# TECEdrainline – drains, accessories

## TECEdrainline drain "Max", DN 70 side drain, 1.2 l/s\*\*

Large drain for the TECEdrainline shower channel for rotatable fitting to the channel body and lateral connection to DN 70 drain pipe, with removable siphon immersion pipe

- Installation height from bottom edge of drain to upper edge of shower channel = 148 mm
- Drainage capacity of shower channel with design grate "Basic" = 1,5 l/s
- Sealing water height = 60 mm in keeping with German/European standard DIN EN 1253 > 50 mm

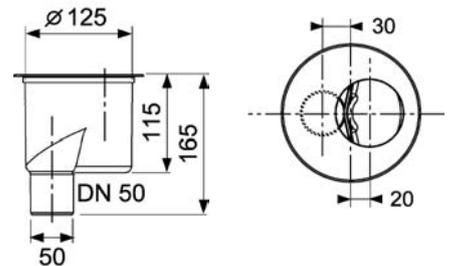


Order No.	DU 1
6 500 02	1 pc.

## TECEdrainline drain vertical, DN 50, 1.3 l/s.\*\*

Vertical drain for the TECEdrainline shower channel for rotatable fitting to the channel body and for vertical connection to DN 50 drain pipe, with removable siphon immersion pipe.

- Minimum installation height from upper edge of channel to lower edge of stirrup = 65 mm.
- Drainage capacity of shower channel with design grate "Basic" = 1,4 l/s
- Sealing water height = 50 mm in keeping with German/European standard DIN EN 1253
- Coring required = 130 mm



Order No.	DU 1
6 500 03	1 pc.

## TECEdrainline Fire Protection Set Fire Stop EI 120 DN 50

Fire protection set for direct installation on the TECEdrainline DN 50 drain vertically for highly fire resistant partitioning of ceiling bushings in solid ceilings up to 120 min. Classification in accordance with DIN EN 13501 for fire protection class EI 120.

- Set consisting of: Fire protection sleeve, 2 cross-recessed screws, identification plate
- Required core drill hole: Ø 130 mm (Ø min = 129 mm, Ø max = 133 mm)
- Application area: Solid ceilings from 150 mm to 325 mm ceiling thickness
- Connection lead PP-HT pipe according to DIN EN 1451 (minimum length 100 mm)
- No grouting or filling of the gap is necessary
- Compatible with all TECEdrainline channels and covers



Order No.	DU 1
6 600 06	1 pc.

## PVC adapter

Adapter for connection to PVC waste water pipes, DN 40.

Dimension	Order No.	DU 1	DU 2	DU 3
DN 40/DN 40	369 00 00	1 pc.	70 pcs.	1120 pcs.



## PVC adapter

Adapter for connection to PVC waste water pipes, DN 50 to DN 40.

Dimension	Order No.	DU 1	DU 2	DU 3
DN 50/DN 40	369 00 01	1 pc.	70 pcs.	1120 pcs.



## PVC adapter

Adapter for connection to PVC waste water pipes, DN 50 to DN 50.

Dimension	Order No.	DU 1	DU 2	DU 3
DN 50/DN 50	369 00 02	1 pc.	70 pcs.	1120 pcs.



## Hair trap TECEdrainline

Made of stainless steel, for insertion in the TECEdrainline channel body

Order No.	DU 1
6 600 05	1 pc.



## Membrane odour trap for TECEdrainline drain

Plastic immersion pipe with inner sealing lip membrane as protection against evaporation, barrier against odour and vermin (two-stage siphon effect through sealing water and sealing lip membrane).

Order No.	DU 1
6 600 15 <b>NEW</b> for extremely flat drain	1 pc.
6 600 16 <b>NEW</b> for flat drain	1 pc.
6 600 17 <b>NEW</b> for max and vertical drain	1 pc.
6 600 18 <b>NEW</b> for standard drain	1 pc.



# TECEdrainline – drains, accessories

## TECEdrainline assembly feet, sound absorbing

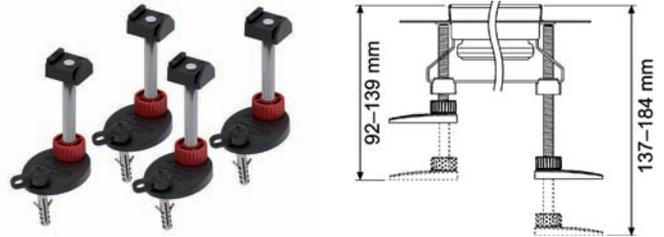
Assembly feet, for fitting to the TECEdrainline shower channel body, to make it easy to adjust the height of the channel body and fix the position during shell assembly.

Adjustment range, lower edge of the foot to the upper edge of the finished floor

- 92–139 mm – Order No. 6 600 03
- 137–184 mm – Order No. 6 600 04

Components:

- 4 x assembly feet incl. sound-proofing element and mounting material



Order No.		DU 1	DU 2
6 600 03	92–139 mm	1 set	54 set
6 600 04	137–184 mm	1 set	36 set

## Seal System\*\* sealing tape for TECEdrainline

Self-adhesive butyl sealing tape with matting for sealing the TECEdrainline shower channels. For direct adhesion by the customer on the stainless steel flange of the shower channel. With matting for installation in the liquid or strip composite seal.

Width 100 mm, roll length 3.9 m

Order No.		DU 1	DU 2
6 600 19 NEW		3.9 m	31.2 m

NEW



## Drainbase sound insulation mat for TECEdrainline and TECEdrainboard

Sound insulation mat for fitting under floating screed in the area of floor-level showers or throughout the bathroom.

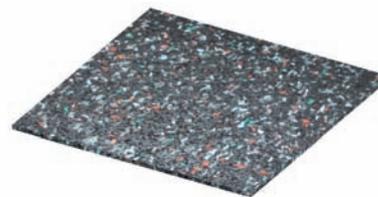
To reduce plumbing noises and impact sounds and for impact sound insulation for renovations and new buildings.

Installation noise level with normal shower setting: 22 dB(A) with TECEdrainline. Made from recycled high-tensile rubber granules bound with PUR elastomer.

Meets the sound insulation requirements in accordance with DIN 4109 edition 2001-01 and the higher sound insulation requirements in accordance with VDI 4100 edition 2007-08 (report from Fraunhofer IBP on request)

- Form of delivery: 1,25 m x 1,25 m x 6 mm and Fire class: B2 (DIN 4102)
- Thermal resistance: 0,05 (m<sup>2</sup>·K)/W
- Compression at 15 t/sqm. 0.6 mm

Order No.		DU 1	DU 2
6 600 01		1 pc.	12 pcs.



## Drainbase sound insulation (roll) for TECEdrainline and TECEdrainboard

Sound insulation mat for fitting under floating screed in the area of floor-level showers or throughout the bathroom.

To reduce plumbing noises and impact sounds and for impact sound insulation for renovations and new buildings.

Installation noise level with normal shower setting: 22 dB(A) with TECEdrainline. Made from recycled high-tensile rubber granules bound with PUR elastomer.

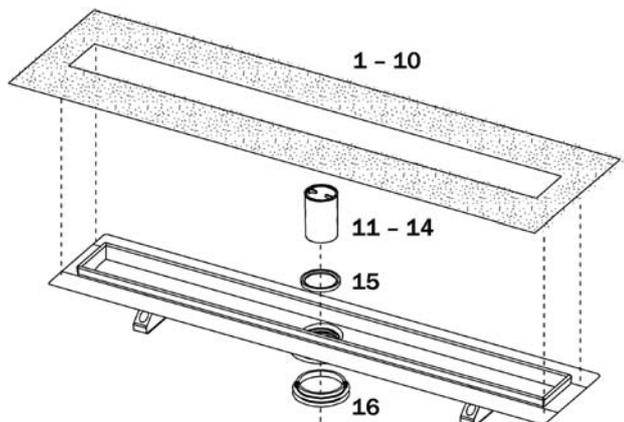
Meets the sound insulation requirements in accordance with DIN 4109 edition 2001-01 and the higher sound insulation requirements in accordance with VDI 4100 edition 2007-08 (report from Fraunhofer IBP on request)

- Form of delivery: 8,0 m x 1,25 m x 6 mm (roll, approx. 50 kg)
- Fire class: B2 (DIN 4102)
- Thermal resistance: 0,05 (m<sup>2</sup>·K)/W
- Compression at 15 t/sqm. 0.6 mm



Order No.	DU 1
6 600 02	8 m

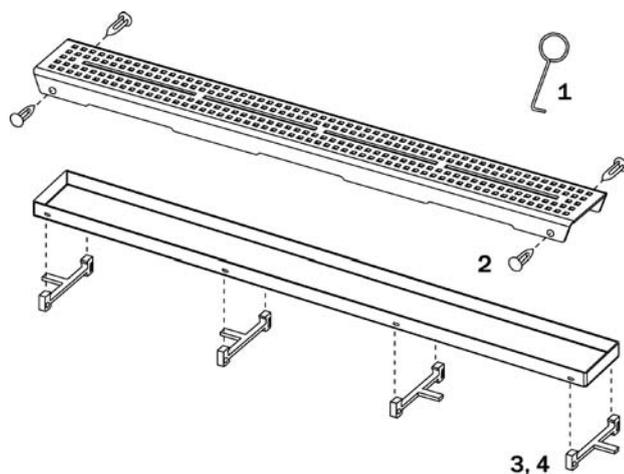
# TECEdrainline – spare parts



## Shower channel, drain

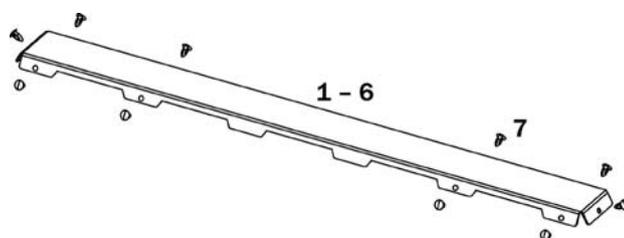
Item	Order No.	Description
1	6 680 00*	Seal sleeve, straight 700 mm
2	6 680 01*	Ditto 800 mm
3	6 680 02*	Ditto 900 mm
4	6 680 03*	Ditto 1000 mm
5	6 680 04*	Ditto 1200 mm
6	6 680 05*	Ditto 1500 mm
7	6 680 06*	Seal sleeve angle 900 x 900 mm
8	6 680 07*	Ditto 1,000 x 1,000 mm
9	6 680 08*	Ditto 1,200 x 1,200 mm
10	6 680 09*	Ditto 1,500 x 1,500 mm
11	6 680 25	Immersion pipe for extremely flat drain
12	6 680 10	Immersion pipe for flat drain
13	6 680 11	Immersion pipe for standard drain
14	6 680 19	Immersion pipe for max and vertical drain
15	6 680 12	Immersion pipe seal
16	6 680 13	Seal between channel and drain

\* for channels until end of January 2013



## Design cover, tileable channel

Item	Order No.	Description
1	6 680 14	Lift tool
2	6 680 16	Spacer clip (10 pc)
3	6 680 24	Hollow feet, stainless steel (until August 2007)
4	6 680 20	Hollow feet, grey (from August 2007)



## Natural stone channel

Item	Order No.	Description
1	6 680 26	Shower channel support sheet for natural stone 700 mm
2	6 680 27	Ditto 800 mm
3	6 680 28	Ditto 900 mm
4	6 680 29	Ditto 1000 mm
5	6 680 30	Ditto 1200 mm
6	6 680 31	Ditto 1500 mm
7	6 680 16	Spacer clip (10 pc)

# TECEdrainline custom-made channel – measurement sheet

Building project \_\_\_\_\_

TECE GmbH  
International Business  
Hollefeldstraße 57  
48282 Emsdetten  
Germany  
Fax +49 (0) 25 72/928 204

## Object description

Offer number \_\_\_\_\_  
Name \_\_\_\_\_  
Street, No. \_\_\_\_\_  
Postal code, town/city \_\_\_\_\_  
Delivery deadline \_\_\_\_\_ (about 4–6 weeks after technical release by customer)

## TECE field service/Agent

\_\_\_\_\_

## Participants

### Building client

Contact \_\_\_\_\_  
Street, town/city \_\_\_\_\_  
Phone/Fax. \_\_\_\_\_

### Planner

Contact \_\_\_\_\_  
Street, town/city \_\_\_\_\_  
Phone/Fax. \_\_\_\_\_

### Fitter

Contact \_\_\_\_\_  
Street, town/city \_\_\_\_\_  
Phone/Fax. \_\_\_\_\_

### Wholesaler

Contact \_\_\_\_\_  
Street, town/city \_\_\_\_\_  
Phone/Fax. \_\_\_\_\_

### Order No.

\_\_\_\_\_

# TECEdrainline custom-made channel – measurement sheet

Building project \_\_\_\_\_

Notes: Standard values are used for all non-indicated values.  
The maximum channel length ( $L_1$ ,  $L_4$ ,  $L_5$ ) is 1500 mm.

$L_1$  = \_\_\_\_\_ mm

$L_2$  = \_\_\_\_\_ mm\*  
 Centre drain

$L_3^{**}$  = \_\_\_\_\_ mm\*

\* max. distance between outer edge of channel and drain = 750 mm

\*\* only for second drain

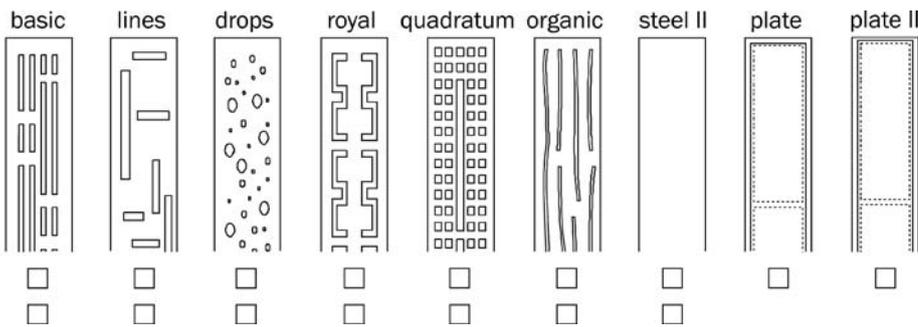
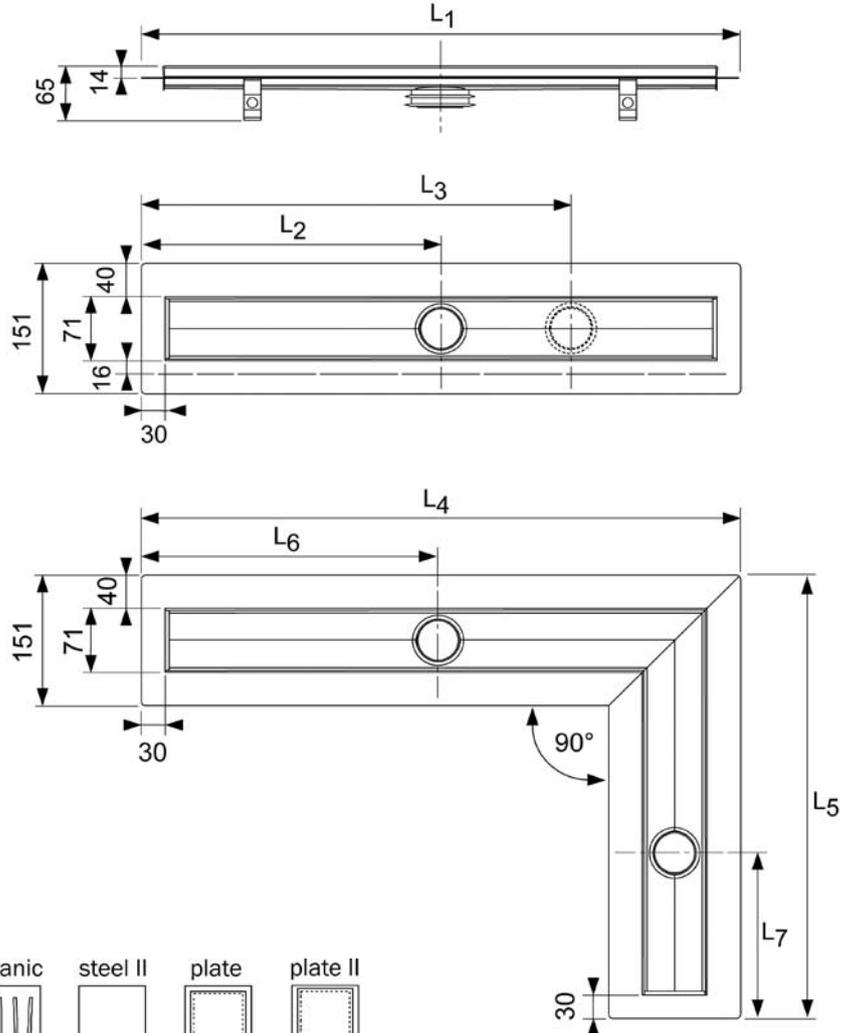
$L_4$  = \_\_\_\_\_ mm\*

$L_5$  = \_\_\_\_\_ mm\*

$L_6$  = \_\_\_\_\_ mm\*  
 Centre drain

$L_7$  = \_\_\_\_\_ mm\*  
 Centre drain

\* max. distance between outer edge of channel and drain = 750 mm



Please select drains and accessories and order separately.

TECEdrainline custom-made channel available incl. Seal System.

Approval \_\_\_\_\_

Date, signature \_\_\_\_\_



# TECEdrainline custom-made channel for natural stone – measurement sheet

Building project \_\_\_\_\_

TECE GmbH  
International Business  
Hollefeldstraße 57  
48282 Emsdetten  
Germany  
Fax +49 (0) 25 72/928 204

## Object description

Offer number \_\_\_\_\_  
Name \_\_\_\_\_  
Street, No. \_\_\_\_\_  
Postal code, town/city \_\_\_\_\_  
Delivery deadline \_\_\_\_\_ (about 4–6 weeks after technical release by customer)

## TECE field service/Agent

\_\_\_\_\_

## Participants

### Building client

\_\_\_\_\_

Contact \_\_\_\_\_  
Street, town/city \_\_\_\_\_  
Phone/Fax. \_\_\_\_\_

### Planner

\_\_\_\_\_

Contact \_\_\_\_\_  
Street, town/city \_\_\_\_\_  
Phone/Fax. \_\_\_\_\_

### Fitter

\_\_\_\_\_

Contact \_\_\_\_\_  
Street, town/city \_\_\_\_\_  
Phone/Fax. \_\_\_\_\_

### Wholesaler

\_\_\_\_\_

Contact \_\_\_\_\_  
Street, town/city \_\_\_\_\_  
Phone/Fax. \_\_\_\_\_

### Order No.

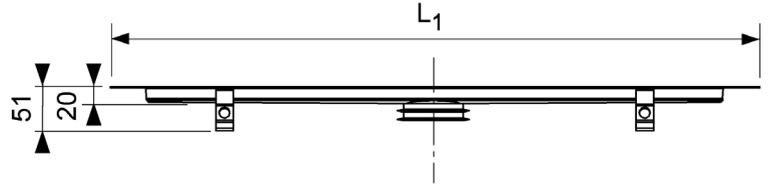
\_\_\_\_\_

# TECEdrainline custom-made channel for natural stone – measurement sheet

Building project \_\_\_\_\_

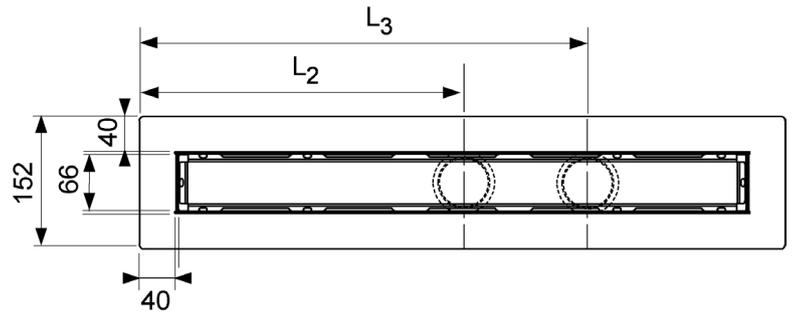
Standard values are used for all non-indicated values.  
The maximum channel length ( $L_1$ ) is 1535 mm.

$L_1 =$  \_\_\_\_\_ mm



$L_2^* =$  \_\_\_\_\_ mm  
 Centre drain

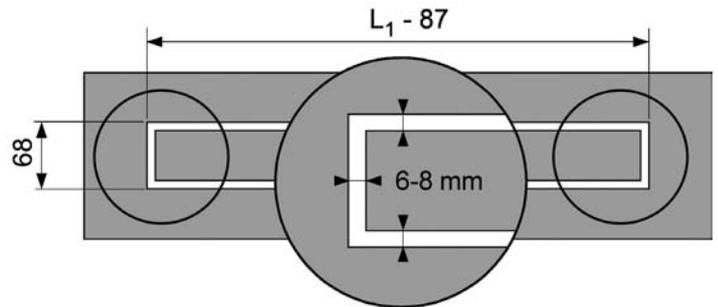
$L_3^{**} =$  \_\_\_\_\_ mm



\* max. distance between outer edge of channel and drain = 750 mm  
\*\* only second drain

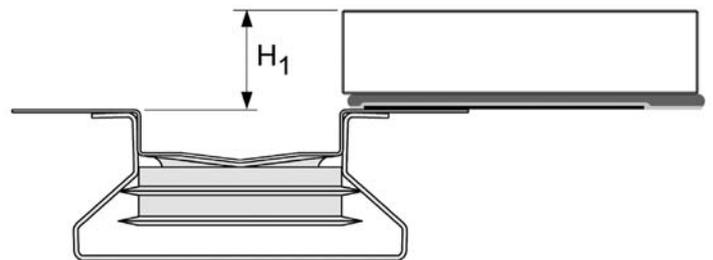
Please note:  
Mounting plate and Seal System sealing tape included in delivery.

Cover cut-out length x width: ( $L_1 - 87$  mm) x 68 mm  
Width of surrounding drainage slot: 6 to 8 mm



Only for orders of the design grate "steel II":  
Distance from top edge of flange to top edge of finished floor.

$H_1 =$  \_\_\_\_\_ mm



Please select drains and accessories and order separately.

Approval \_\_\_\_\_

Date, signature \_\_\_\_\_





TECEdrainpoint S

## TECEdrainpoint S Assortment List

**TECE:**

Intelligente Haustechnik

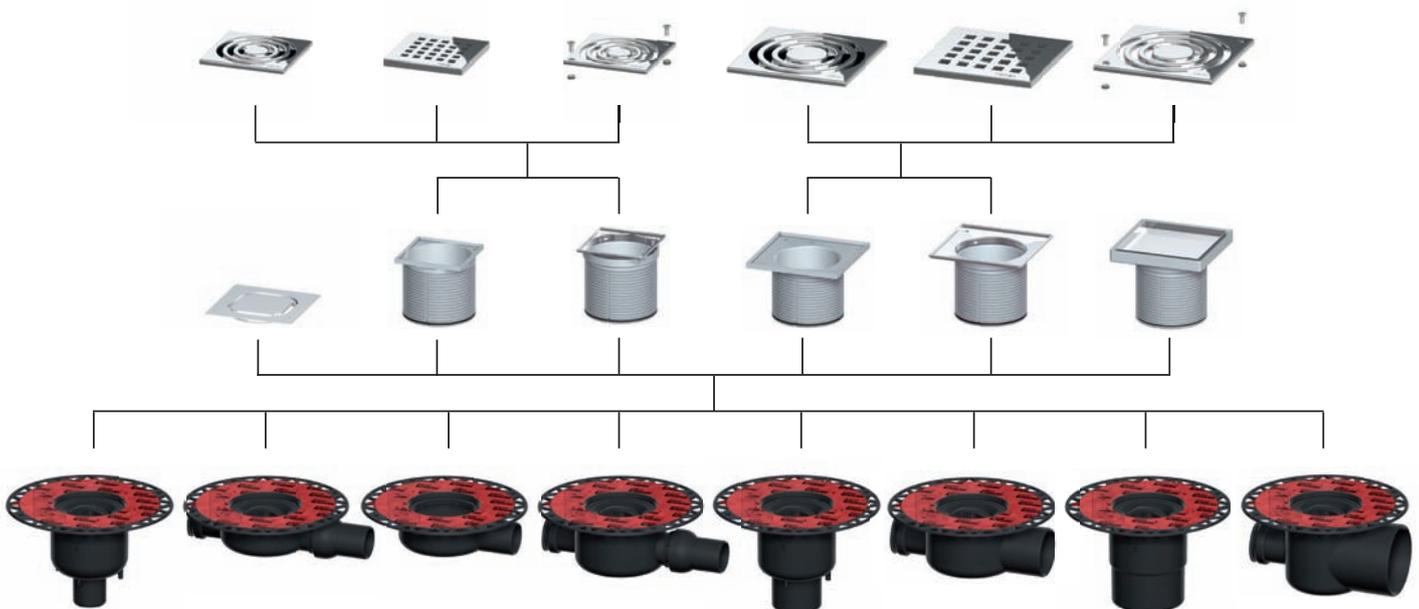
## TECEdrainpoint S – DRAINAGE RIGHT TO THE POINT

**TECEdrainpoint S: The streamlined alternative to confusing "complete ranges".**

- The modular system – small range, countless application areas:  
Put together "your" drain set from a simple modular system. Choose the drain, drain top, grate and accessories to meet your requirements. Everything fits together and can be combined any way you wish.
- Complete drain systems: it couldn't be easier! Four drain sets are available for the most common applications.
- Standardised Seal System universal flange. Just one flange design for liquid and strip composite seals or clamped flange connections.
- Certified seal safety through the "Seal System". More than 50 independent combination checks with sealing systems from renowned manufacturers set new standards for safety when connecting composite seals to the drain.

## THE TECEdrainpoint S MODULAR PRINCIPLE – INDIVIDUAL BUT STILL SIMPLE

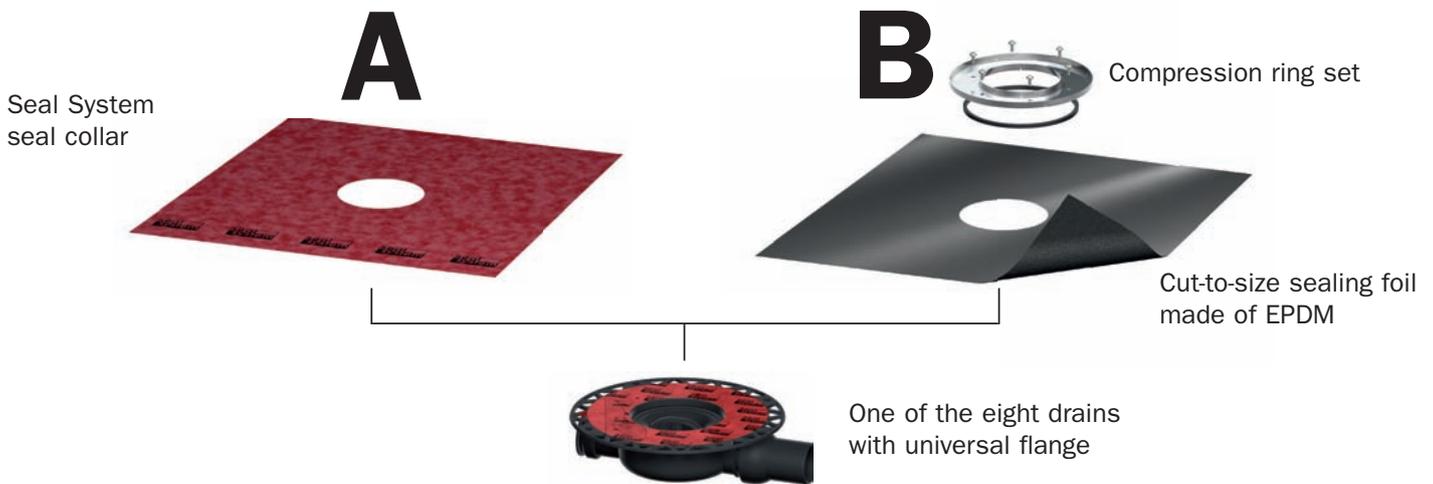
The free combination of all drains, drain tops and other accessories reduces the costs for storage and greatly simplifies ordering.



## THE SEAL SYSTEM UNIVERSAL FLANGE

The Seal System universal flange enables two sealing options to be connected with a flange.

Composite seals (A) or clamped flange connections (B) can be used e.g. to connect bitumen membrane sheets.



## TECEdrainpoint S FIRE PROTECTION SET FIRESTOP EI 120

TECEdrainpoint S fire protection set for direct installation at the TECEdrainpoint S DN 50 rain vertical for highly fire resistant partitioning of ceiling bushings in solid ceilings for up to 120 minutes. Classification in accordance with DIN EN 13501 for fire protection class EI 120.

**NEW**



## TECEdrainpoint S MEMBRANE ODOUR TRAP

The new two-stage odour trap (sealing lip membrane and sealing water) for all horizontal and vertical TECE drains reliably prevents unpleasant odours. The inner sealing lip membrane serves as protection against evaporation, an odour trap and vermin barrier. The membrane odour trap also works without water and is therefore superior to conventional odour traps.

**NEW**



## TECEdrainpoint S SOUND-INSULATED ASSEMBLY FEET

To make it easy to adjust the height and for fixing Drainpoint S drains with universal flange in the bare-wall fitting stage. The set of four assembly feet is delivered incl. sound-proofing element and mounting material.

**NEW**



# TECEdrainpoint S

## POINT, LINE – SEALED!

Seal System – the new sealing standard for TECE drains and shower channels



### What is Seal System?

Seal System offers TECE installers and tilers tested safety when connecting composite seals to TECEdrainpoint S drains and TECEdrainline channels. The testing was done by the independent testing institute Kiwa TBU, and was performed according to the building authorities test criteria applicable in Germany. 50 sealing products from well-known manufacturers were successfully tested and certified. For this purpose, the functional safety (water-tightness) of the composite sealing products was tested with the TECE drainage products.

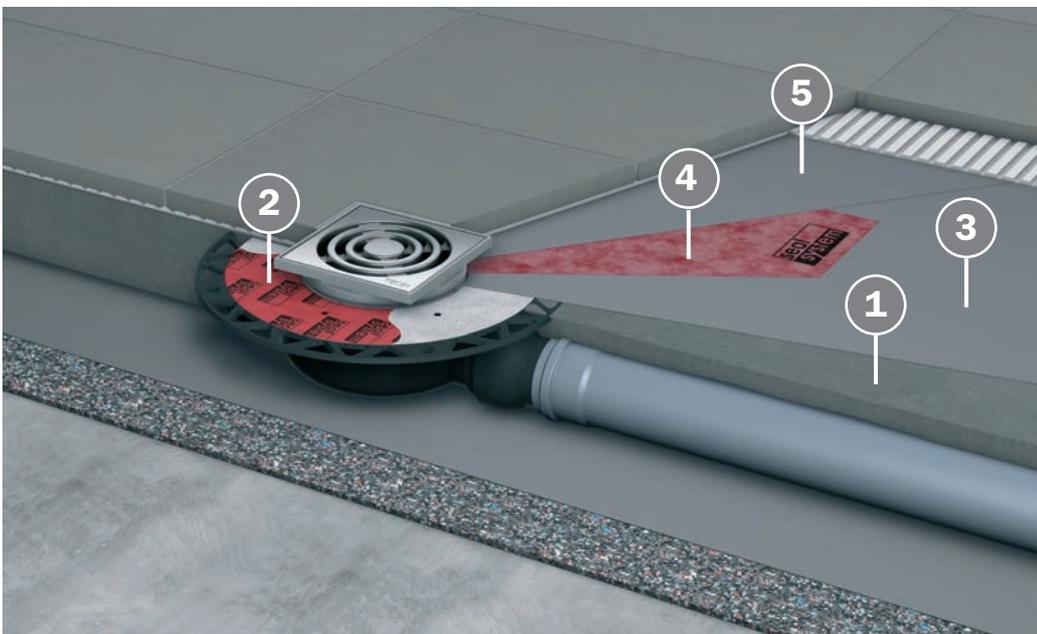
A list of all the certified composite seals can be called up at [www.sealsystem.net](http://www.sealsystem.net).



The TECEdrainpoint S Seal System consists of the following components:

1. TECEdrainpoint S drain
2. Seal System seal sleeve
3. one of the 50 tested and certified sealing products

Example of the Seal System seal of a TECEdrainpoint S drain with a certified sealing product. A certificate is available for each product which passed the test.



- 1 Screed
- 2 Protective film  
Drain flange
- 3 First coat  
slurry seal
- 4 Seal System  
Sealing sleeve
- 5 Second coat  
slurry seal



	Page
Drain sets	162–164
Drain modular system	165–168
Accessories	169–177
Spare parts	178

You can find an overview of valid declaration of performance (DOP) at [www.tece.com](http://www.tece.com)



## THE NEW STANDARD REFERENCE WORK ON COMPOSITE SEALING

The 272 page standard reference work for the certified composite seal. With more than 100 basic testing certificates issued by KIWA TBU in Greven relating to point and linear drains, at a price of 36 euros incl. VAT, available from booksellers, ISBN 978-3-00-040275-3. This book is only available in German language.

### POINT. LINE. SEALED!

by Martin Krabbe, Reinhold P. Bäder et al.

With information to help with the planning and installation of sealing systems in sanitary facilities, notes on the waterproofing of buildings and floor structures incorporating drainage solutions and explanatory notes on the relevant standards.

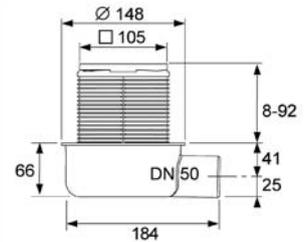
# TECEdrainpoint S – Drain sets

## TECEdrainpoint S 50 drain set extra-flat

Drain set TECEdrainpoint S 50 horizontal, extra-flat DN 50

Components:

- Drain body DN 50 horizontal extra-flat made of plastic (PP)
- With retaining edge
- With removable odour trap
- Drainage capacity from 0.81 to 1.12 l/s
- Reduced sealing water height = 30 mm
- Drain top with grate frame made of plastic (ABS) and O-ring seal
- TECEdrainpoint S design grate made of drawn stainless steel, material 1.4301 (304), dimension 100 x 100 mm polished surface, load class K3 (load of up to 300 kg)



Delivery incl. protective cap, foil for the construction site and assembly instructions.

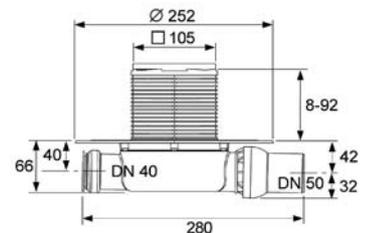
Order No.	DU 1	DU 2
360 10 50	1 pc.	10 pcs.

## TECEdrainpoint S 110 drain set extra-flat with Seal System\*\* universal flange

Drain set TECEdrainpoint S 110 horizontal, extra-flat DN 50

Components:

- Drain body DN 50 horizontal extra-flat made of plastic (PP)
- with universal flange to connect composite seals or clamped flange connections
- With ball joint
- With lateral inflow DN 40 incl. closure plug
- With removable 2-stage membrane odour trap
- Drainage capacity from 0.62 to 0.98 l/s
- Reduced sealing water height = 30 mm
- Drain top with grate frame made of plastic (ABS) and O-ring seal
- TECEdrainpoint S design grate made of drawn stainless steel, material 1.4301 (304), dimension 100 x 100 mm polished surface, load class K3 (load of up to 300 kg)



Delivery incl. protective cap and foil for the construction site and assembly instructions.

Please order separately – depending on the seal type:

- Seal System\*\* sealing sleeve for the execution of a tested and certified connection of the composite seal
- Compression ring set and cut-to-size sealing foil for clamped flange connections

Order No.	DU 1	DU 2
360 11 00	1 pc.	10 pcs.

## TECEdrainpoint S 112 drain set extra-flat with Seal System\*\* universal flange and membrane odour trap

Drain set TECEdrainpoint S 112 horizontal extra-flat DN 50, stainless steel grate frame with stainless steel design grate, 2-stage membrane odour trap DN 50

Components:

- Drain body DN 50 horizontal extra-flat made of plastic (PP)
- With universal flange to connect composite seals or clamped flange connections
- With ball joint
- With lateral inflow DN 40 incl. closure plug
- With removable 2-stage membrane odour trap
- Drainage capacity from 0.62 to 0.98 l/s
- Reduced sealing water height = 20 mm
- Drain top made of plastic (ABS) and O-ring seal
- Grate frame made of drawn stainless steel, material 1.4301 (304), for grate dimension 100 x 100 mm
- TECEdrainpoint S design grate made of drawn stainless steel, material 1.4301 (304), dimension 100 x 100 mm polished surface, load class K3 (load of up to 300 kg)

Delivery incl. protective cap and foil for the construction site and assembly instructions.

Please order separately – depending on the seal type:

- Seal System\*\* sealing sleeve for the execution of a tested and certified connection of the composite seal
- Compression ring set and cut-to-size sealing foil for clamped flange connections

Order No.	DU 1	DU 2
360 11 02* NEW	1 pc.	10 pcs.

## TECEdrainpoint S 120 drain set standard with Seal System\*\* universal flange

Floor drain set TECEdrainpoint S 120 horizontal, standard DN 50, tested to DIN EN 1253

Components:

- Drain body DN 50 horizontal standard made of plastic (PP)
- With universal flange to connect composite seals or clamped flange connections
- With ball joint
- With lateral inflow DN 40 incl. closure plug
- With removable odour trap
- Drainage capacity from 0.97 to 1.17 l/s
- Sealing water height = 50 mm in keeping with standard DIN EN 1253
- Drain top with grate frame made of plastic (ABS) and O-ring seal
- TECEdrainpoint design grate made of drawn stainless steel, material 1.4301 (304), dimension 100 x 100 mm polished surface, load class K3 (load of up to 300 kg)

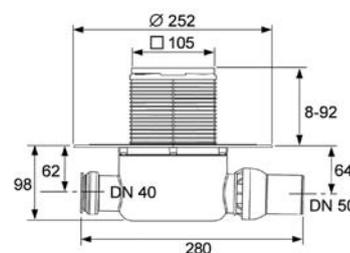
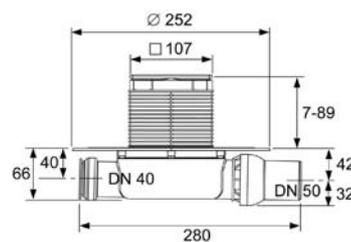
Delivery incl. protective cap and foil for the construction site and assembly instructions.

Please order separately – depending on the seal type:

- Seal System\*\* sealing sleeve for the execution of a tested and certified connection of the composite seal
- Compression ring set and cut-to-size sealing foil for clamped flange connections

Order No.	DU 1	DU 2
360 12 00	1 pc.	10 pcs.

**NEW**



# TECEdrainpoint S – Drain sets

## TECEdrainpoint S 122 drain set DN 50 standard with Seal System\*\* universal flange

Drain set TECEdrainpoint S 122 horizontal, standard DN 50, stainless steel grate frame with stainless steel design grate, 2-stage membrane odour traps

Components:

- Drain body DN 50 horizontal standard made of plastic (PP)
- With universal flange to connect composite seals or clamped flange connections
- With ball joint
- With lateral inflow DN 40 incl. closure plug
- With removable 2-stage membrane odour trap
- Drainage capacity from 0.97 to 1.17 l/s
- Sealing water height = 50 mm in keeping with standard DIN EN 1253
- Drain top made of plastic (ABS) and O-ring seal
- Grate frame made of drawn stainless steel, material 1.4301 (304), for grate dimension 100 x 100 mm
- TECEdrainpoint design grate made of drawn stainless steel, material 1.4301 (304), dimension 100 x 100 mm polished surface, load class K3 (load of up to 300 kg)

Delivery incl. protective cap and foil for the construction site and assembly instructions.

Please order separately – depending on the seal type:

- Seal System\*\* sealing sleeve for the execution of a tested and certified connection of the composite seal
- Compression ring set and cut-to-size sealing foil for clamped flange connections

Order No.	DU 1	DU 2
360 12 02* NEW	1 pc.	10 pcs.

## TECEdrainpoint S 130 drain set vertical with Seal System\*\* universal flange

Floor drain set TECEdrainpoint S 130 vertical DN 50, tested to DIN EN 1253

Components:

- Drain body DN 50 vertical made of plastic (PP)
- With universal flange to connect composite seals or clamped flange connections
- With removable odour trap
- Drainage capacity from 1.36 to 1.52 l/s
- Sealing water height = 50 mm in keeping with standard DIN EN 1253
- Drain top with grate frame made of plastic (ABS) and O-ring seal
- TECEdrainpoint design grate made of drawn stainless steel, material 1.4301 (304), dimension 100 x 100 mm polished surface, load class K3 (load of up to 300 kg)

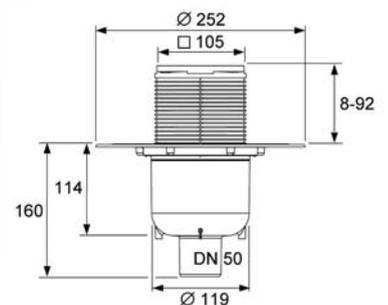
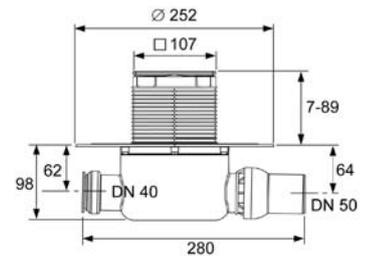
Delivery incl. protective cap and foil for the construction site and assembly instructions.

Please order separately – depending on the seal type:

- Seal System\*\* sealing sleeve for the execution of a tested and certified connection of the composite seal
- Compression ring set and cut-to-size sealing foil for clamped flange connections

Order No.	DU 1	DU 2
360 13 00	1 pc.	10 pcs.

NEW



## TECEdrainpoint S drain DN 50 extra-flat with Seal System\*\* universal flange

Floor drain TECEdrainpoint S DN 50 horizontal extra-flat made of plastic (PP)

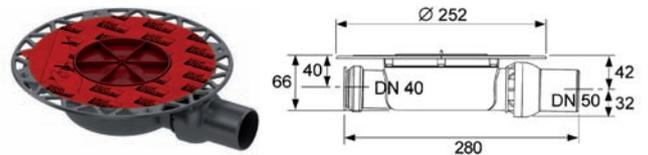
- With universal flange to connect composite seals or clamped flange connections
- With ball joint
- With lateral inflow DN 40 incl. closure plug
- With removable odour trap
- Drainage capacity from 0.61 to 0.98 l/s
- Reduced sealing water height = 30 mm

Delivery incl. protective cap and foil for the construction site and assembly instructions.

Please order separately – depending on the seal type:

- Seal System\*\* sealing sleeve for the execution of a tested and certified connection of the composite seal
- Compression ring set and cut-to-size sealing foil for clamped flange connections

Order No.	DU 1
360 14 00	1 pc.



## TECEdrainpoint S drain DN 50 terrace with Seal System\*\* universal flange

Floor drain TECEdrainpoint DN 50 as terrace or balcony drain, horizontal extra-flat made of plastic (PP)

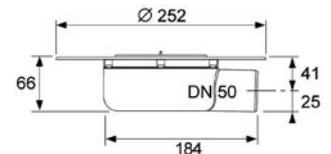
- With universal flange to connect composite seals or clamped flange connections
- Without odour trap
- Drainage capacity from 1.10 to 1.90 l/s

Delivery incl. protective cap and foil for the construction site and assembly instructions.

Please order separately – depending on the seal type:

- Seal System\*\* sealing sleeve for the execution of a tested and certified connection of the composite seal
- Compression ring set and cut-to-size sealing foil for clamped flange connections

Order No.	DU 1
360 14 01	1 pc.



# TECEdrainpoint S – drain modular system

## TECEdrainpoint S drain DN 50 standard with Seal System\*\* universal flange

Floor drain TECEdrainpoint S DN 50 horizontal standard made of plastic (PP) tested to DIN EN 1253

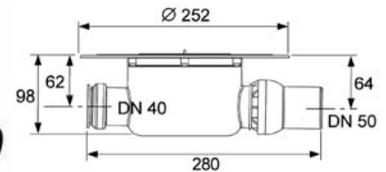
- With universal flange to connect composite seals or clamped flange connections
- With ball joint
- With lateral inflow DN 40 incl. closure plug
- With removable odour trap
- Drainage capacity from 0.97 to 1.17 l/s
- Sealing water height = 50 mm in keeping with standard DIN EN 1253

Delivery incl. protective cap and foil for the construction site and assembly instructions.

Please order separately – depending on the seal type:

- Seal System\*\* sealing sleeve for the execution of a tested and certified connection of the composite seal
- Compression ring set and cut-to-size sealing foil for clamped flange connections

Order No.	DU 1
360 15 00	1 pc.



## TECEdrainpoint S drain DN 50 vertical with Seal System\*\* universal flange

Floor drain TECEdrainpoint S DN 50 vertical made of plastic (PP) tested to DIN EN 1253

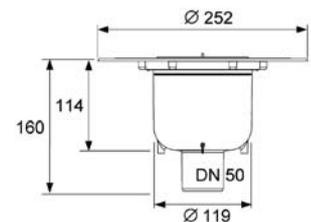
- With universal flange to connect composite seals or clamped flange connections
- With removable odour trap
- Drainage capacity from 1.36 to 1.52 l/s
- Sealing water height = 50 mm in keeping with standard DIN EN 1253

Delivery incl. protective cap and foil for the construction site and assembly instructions.

Please order separately – depending on the seal type:

- Seal System\*\* sealing sleeve for the execution of a tested and certified connection of the composite seal
- Compression ring set and cut-to-size sealing foil for clamped flange connections

Order No.	DU 1
360 16 00	1 pc.



## TECEdrainpoint S drain DN 70 with Seal System\*\* universal flange

Floor drain TECEdrainpoint S DN 70 horizontal made of plastic (PP) tested to DIN EN 1253

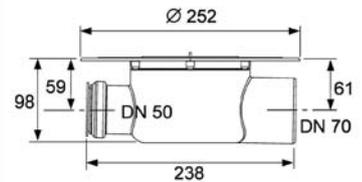
- With universal flange to connect composite seals or clamped flange connections
- With lateral inflow DN 50 incl. closure plug
- With removable odour trap
- Drainage capacity from 1.24 to 1.64 l/s
- Sealing water height = 50 mm in keeping with standard DIN EN 1253

Delivery incl. protective cap and foil for the construction site and assembly instructions.

Please order separately – depending on the seal type:

- Seal System\*\* sealing sleeve for the execution of a tested and certified connection of the composite seal
- Compression ring set and cut-to-size sealing foil for clamped flange connections

Order No.	DU 1
360 35 00	1 pc.



## TECEdrainpoint S drain DN 70 vertical with Seal System\*\* universal flange

Floor drain TECEdrainpoint S DN 70 vertical made of plastic (PP) tested to DIN EN 1253

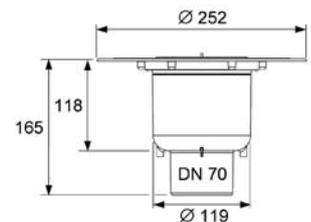
- With universal flange to connect composite seals or clamped flange connections
- With removable odour trap
- Drainage capacity from 1.49 to 2.07 l/s
- Sealing water height = 50 mm in keeping with standard DIN EN 1253

Delivery incl. protective cap and foil for the construction site and assembly instructions.

Please order separately – depending on the seal type:

- Seal System\*\* sealing sleeve for the execution of a tested and certified connection of the composite seal
- Compression ring set and cut-to-size sealing foil for clamped flange connections

Order No.	DU 1
360 36 00	1 pc.



# TECEdrainpoint S – drain modular system

## TECEdrainpoint S drain DN 100 with Seal System\*\* universal flange

Floor drain TECEdrainpoint S DN 100 horizontal made of plastic (PP)

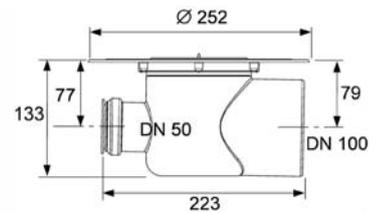
- With universal flange to connect composite seals or clamped flange connections
- With lateral inflow DN 50 incl. closure plug
- With removable odour trap
- Drainage capacity from 1.22 to 1.75 l/s
- Sealing water height = 50 mm in keeping with standard DIN EN 1253

Delivery incl. protective cap and foil for the construction site and assembly instructions.

Please order separately – depending on the seal type:

- Seal System\*\* sealing sleeve for the execution of a tested and certified connection of the composite seal
- Compression ring set and cut-to-size sealing foil for clamped flange connections

Order No.	DU 1
360 75 00	1 pc.



## TECEdrainpoint S drain DN 100 vertical with Seal System\*\* universal flange

Floor drain TECEdrainpoint S DN 100 horizontal made of plastic (PP)

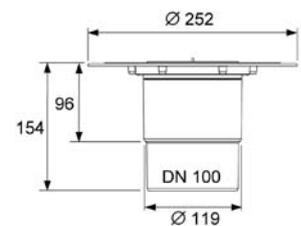
- With universal flange to connect composite seals or clamped flange connections
- With removable odour trap
- Drainage capacity from 1.11 to 1.62 l/s
- Sealing water height = 50 mm in keeping with standard DIN EN 1253

Delivery incl. protective cap and foil for the construction site and assembly instructions.

Please order separately – depending on the seal type:

- Seal System\*\* sealing sleeve for the execution of a tested and certified connection of the composite seal
- Compression ring set and cut-to-size sealing foil for clamped flange connections

Order No.	DU 1
360 76 00	1 pc.



## TECEdrainpoint S Fire Protection Set Fire Stop EI 120 DN 50

TECEdrainpoint S fire protection set for direct installation at the TECEdrainpoint S DN 50 drain vertical for highly fire resistant partitioning of ceiling bushings in solid ceilings for up to 120 minutes. Classification in accordance with DIN EN 13501 for fire protection class EI 120.

The set consists of fire protection sleeve, 2 cross-recessed screws, identification plate.

Required core drill hole:

Diameter 120 mm (min = 119 mm, max = 123 mm)

Application area:

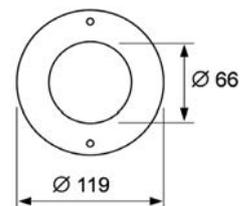
Solid ceilings from 150 mm to 325 mm ceiling thickness.

Connection lead:

PP-HT pipe according to DIN EN 1451 (minimum length 100 mm)

No grouting or filling of the gap is necessary.

**NEW**



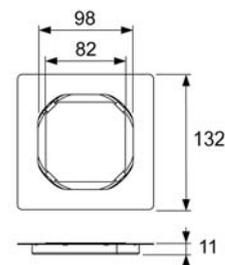
Order No.	DU 1
369 00 50 NEW	1 pc.

## TECEdrainpoint S grate frame stainless steel, 100 mm, incl. "frameless" tile base

Set with stainless steel grate frame and tileable, frameless tile base 100 x 100 mm

- Outer diameter = 110 mm
- Height adjustment = none, height 1 mm (suitable for all tile/natural stone thicknesses)
- Grate frame made of drawn stainless steel, material 1.4301 (304)
- Frameless tile base made of stainless steel, material 1.4301 (304),
- dDimension 100 x 100 mm polished surface, load class K3 (load of up to 300 kg)

**NEW**



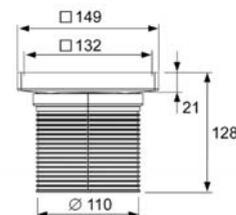
Order No.	DU 1
366 00 16 * NEW	1 pc.

## TECEdrainpoint S grate frame stainless steel, 150 mm, incl. "plate" tileable channel

Set consisting of drain top with stainless steel grate frame and "plate" tileable channel 142 x 142 mm

- Drain top made of plastic (ABS)
- O-ring seal
- Outer diameter = 110 mm
- Height adjustment = 23 to 118 mm
- Grate frame made of drawn stainless steel, material 1.4301 (304)
- "plate" stainless steel tileable channel, material 1.4301 (304), dimension 142 x 142 mm polished surface, load class K3 (load of up to 300 kg)

**NEW**



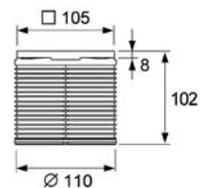
Order No.	DU 1
366 00 11* NEW	1 pc.

# TECEdrainpoint S – accessories

## TECEdrainpoint S drain grate frame plastic, 100 mm, incl. design grate

Set consisting of drain top with grate frame (plastic) and TECEdrainpoint S design grate 100 x 100 mm

- Drain top with grate frame made of plastic (ABS)
- O-ring seal
- Outer diameter = 110 mm
- Height adjustment = 8 to 92 mm
- TECEdrainpoint design grate made of drawn stainless steel, material 1.4301 (304), dimension 100 x 100 mm polished surface, load class K3 (load up to 300 kg)

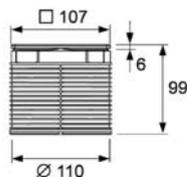


Order No.	DU 1
366 00 01	1 pc.

## TECEdrainpoint S drain grate frame stainless steel, 100 mm, incl. design grate

Set consisting of drain top with grate frame (stainless steel) and TECEdrainpoint S design grate 100 x 100 mm

- Drain top made of plastic (ABS)
- O-ring seal
- Outer diameter = 110 mm
- Height adjustment = 7 to 89 mm
- Grate frame made of drawn stainless steel, material 1.4301 (304)
- TECEdrainpoint design grate made of drawn stainless steel, material 1.4301 (304), dimension 100 x 100 mm polished surface, load class K3 (load up to 300 kg)



Order No.	DU 1
366 00 02	1 pc.

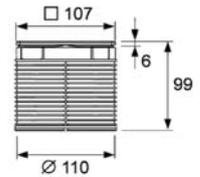
## TECEdrainpoint S drain grate frame stainless steel, 100 mm, incl. design grate, screw-down

Set consisting of drain top with grate frame (stainless steel) and TECEdrainpoint S design grate 100 x 100 mm

- Drain top made of plastic (ABS)
- O-ring seal
- Outer diameter = 110 mm
- Height adjustment = 7 to 89 mm
- Grate frame made of drawn stainless steel, material 1.4301 (304)
- TECEdrainpoint design grate made of drawn stainless steel, material 1.4301 (304), dimension 100 x 100 mm polished surface, load class K3 (load up to 300 kg)
- 2 stainless steel countersunk screws and self-cutting threaded bushes

Order No.	DU 1
366 00 09 NEW	1 pc.

**NEW**

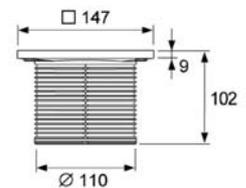


## TECEdrainpoint S drain grate frame plastic, 150 mm, incl. design grate

Set consisting of drain top with grate frame (plastic) and TECEdrainpoint S design grate 142 x 142 mm

- Drain top with grate frame made of plastic (ABS)
- O-ring seal
- Outer diameter = 110 mm
- Height adjustment = 12 to 92 mm
- TECEdrainpoint design grate made of drawn stainless steel, material 1.4301 (304), dimension 142 x 142 mm polished surface, load class K3 (load up to 300 kg)

Order No.	DU 1
366 00 03	1 pc.

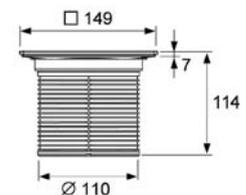


## TECEdrainpoint S drain grate frame stainless steel, 150 mm, incl. design grate

Set consisting of drain top with grate frame (stainless steel) and TECEdrainpoint S design grate 142 x 142 mm

- Drain top made of plastic (ABS)
- O-ring seal
- Outer diameter = 110 mm
- Height adjustment = 9 to 104 mm
- Grate frame made of drawn stainless steel, material 1.4301 (304)
- TECEdrainpoint design grate made of drawn stainless steel, material 1.4301 (304), dimension 142 x 142 mm polished surface, load class K3 (load up to 300 kg)

Order No.	DU 1
366 00 04	1 pc.



# TECEdrainpoint S – accessories

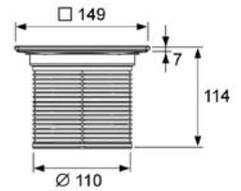
## TECEdrainpoint S drain grate frame stainless steel, 150 mm, incl. design grate, screw-down

Set consisting of drain top with grate frame (stainless steel) and TECEdrainpoint S design grate 142 x 142 mm

- Drain top made of plastic (ABS)
- O-ring seal
- Outer diameter = 110 mm
- Height adjustment = 9 to 104 mm
- Grate frame made of drawn stainless steel, material 1.4301 (304)
- TECEdrainpoint design grate made of drawn stainless steel, material 1.4301 (304), dimension 142 x 142 mm polished surface, load class K3 (load up to 300 kg)
- 2 stainless steel countersunk screws and self-cutting threaded bushes

Order No.	DU 1
366 00 10 NEW	1 pc.

**NEW**

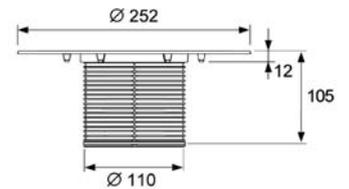


## TECEdrainpoint S raising element with Seal System\*\* universal flange

Drain top made of plastic with universal flange made of plastic (PP) for composite or clamped flange seals

- With universal flange to connect composite seals or clamped flange connections
- Incl. O-ring seal
- Outer diameter = 110 mm
- Height adjustment = 12 to 95 mm

Order No.	DU 1
366 00 05	1 pc.

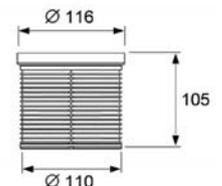


## TECEdrainpoint S extension

Drain top extension made of plastic (ABS)

- With O-ring seal
- Outer diameter = 110 mm
- Height adjustment = 4 to 85 mm

Order No.	DU 1
366 00 06	1 pc.

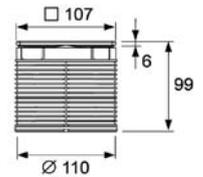


## TECEdrainpoint S drain grate frame stainless steel, 100 mm, design grate "quadratum"

Set consisting of drain top with stainless steel grate frame and design grate "quadratum" 100 x 100 mm

Components:

- Drain top made of plastic (ABS)
- O-ring seal
- Outer diameter = 110 mm
- Height adjustment = 7 to 89 mm
- Grate frame made of drawn stainless steel, material 1.4301 (304)
- Design grate "quadratum" made of stainless steel, material 1.4301 (304), dimension 100 x 100 mm polished surface, load class K3 (load to 300 kg)



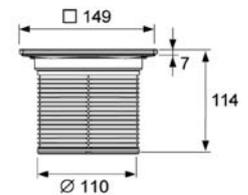
Order No.	DU 1
366 00 07	1 pc.

## TECEdrainpoint S drain grate frame stainless steel, 150 mm, design grate "quadratum"

Set consisting of drain top with stainless steel grate frame and design grate "quadratum" 142 x 142 mm

Components:

- Drain top made of plastic (ABS)
- O-ring seal
- Outer diameter = 110 mm
- Height adjustment = 9 to 104 mm
- Grate frame made of drawn stainless steel, material 1.4301 (304)
- Design grate "quadratum" made of stainless steel, material 1.4301 (304), dimension 142 x 142 mm polished surface, load class K3 (load to 300 kg)



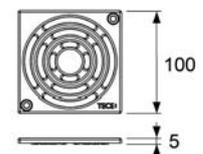
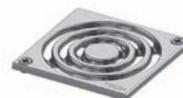
Order No.	DU 1
366 00 08	1 pc.

## TECEdrainpoint S design grate stainless steel 100 x 100 mm, screw-down

TECEdrainpoint S design grate 100 x 100 mm made of drawn stainless steel, material 1.4301 (304) screw-down

Components:

- Dimension = 100 x 100 mm (outer dimensions)
- Polished surface
- Load class K3 (load to 300 kg)
- Incl. 2 stainless steel countersunk screws and self-cutting threaded bushes



Order No.	DU 1
366 50 00	1 pc.

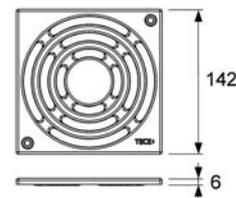
# TECEdrainpoint S – accessories

## TECEdrainpoint S design grate stainless steel 150 mm, screw-down

TECEdrainpoint S design grate 142 x 142 mm made of drawn stainless steel, material 1.4301 (304) screw-down

Components:

- Dimension = 142 x 142 mm (outer dimensions)
- Polished surface
- Load class K3 (load to 300 kg)
- Incl. 2 stainless steel countersunk screws and self-cutting threaded bushes



Order No. DU 1

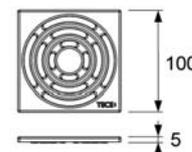
366 50 01 1 pc.

## TECEdrainpoint design grate stainless steel 100 mm

TECEdrainpoint S design grate 100 x 100 mm made of drawn stainless steel, material 1.4301 (304)

Components:

- Dimension = 100 x 100 mm (outer dimensions)
- Polished surface
- Load class K3 (load to 300 kg)



Order No. DU 1

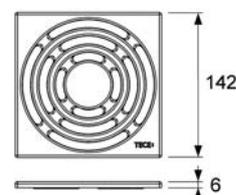
366 50 02 1 pc.

## TECEdrainpoint design grate stainless steel 150 mm

TECEdrainpoint S design grate 142 x 142 mm made of drawn stainless steel, material 1.4301 (304)

Components:

- Dimension = 142 x 142 mm (outer dimensions)
- Polished surface
- Load class K3 (load to 300 kg)



Order No. DU 1

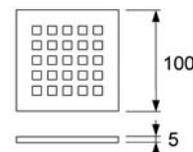
366 50 03 1 pc.

## TECEdrainpoint S design grate "quadratum" stainless steel, 100 mm

made of stainless steel, material 1.4301 (304)

Components:

- Dimension = 100 x 100 mm (outer dimensions)
- Polished surface
- Load class K3 (load to 300 kg)



Order No. DU 1

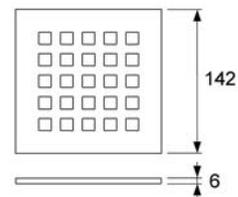
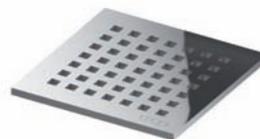
366 50 06 1 pc.

## TECEdrainpoint S design grate "quadratum" stainless steel, 150 mm

made of stainless steel, material 1.4301 (304)

Components:

- Dimension = 142 x 142 mm (outer dimensions)
- Polished surface
- Load class K3 (load to 300 kg)



Order No.	DU 1
366 50 09	1 pc.

## TECEdrainpoint S compression ring set stainless steel

Compression sealing ring set for clamped flange connections

Components:

- Compression ring made of stainless steel, material 1.4301 (304) with pre-drilled hole circle
- Sealing ring made of cellular rubber
- 6 stainless steel screws



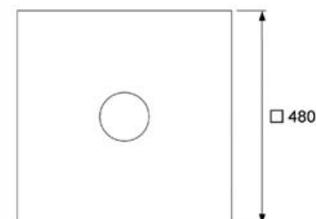
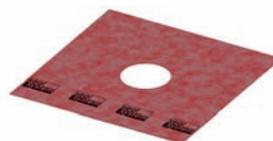
Order No.	DU 1
369 00 03	1 pc.

## TECEdrainpoint S Seal System\*\* seal sleeve for composite seals

Seal System\*\* sealing sleeve for the execution of a tested and certified connection of the TECEdrainpoint S drain of the composite seal

Components:

- PP fleece (top and underside) and inner waterproof PE foil
- Dimension = 480 x 480 mm



Order No.	DU 1
369 00 04	1 pc.



# TECEdrainpoint S – accessories

## TECEdrainpoint S cut-to-size sealing foil EPDM for clamped flange connections

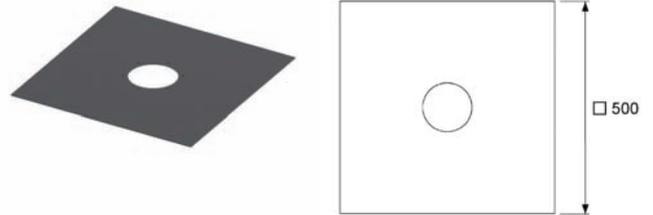
Seal sleeve for the connection of bitumen membrane sheets, polymer bitumen membrane sheets or EPDM sealing strips using hot-air welding, full-area welding or gluing with PU adhesive. The seal sleeve is fixed on the universal flange with the compression ring set.

- Material: EPDM with insert of glass cloth, underside with polymer-modified bitumen layer and fine quartz coating
- Dimension = 500 x 500 mm
- Material thickness = 3.1 mm
- Manufacturer: Phoenix Restrix Classic

Please order separately:

Compression sealing ring set (order no. 369 00 03)

Order No.	DU 1
369 00 06	1 pc.



## TECEdrainpoint S membrane odour trap

Odour trap made of plastic (PP) with inner sealing lip membrane to protect against evaporation, odour and vermin barrier

- Can be used for all horizontal and vertical drains
- Two-stage odour trap with sealing water and sealing lip membrane

Order No.	Dimension	DU 1
369 50 02	for super flat drains	1 pc.
369 50 05 NEW	for standard and vertical drains DN50 and drains DN70	1 pc.
369 50 06 NEW	for drains DN 100	1 pc.



## TECEdrainpoint S hair trap

made of plastic, for insertion in the TECEdrainpoint S drain

Order No.	DU 1
369 00 05 NEW	1 pc.



## TECEdrainpoint S assembly feet, sound-insulated

To make it easy to adjust height and for fixation in the bare-wall fitting stage of Drainpoint S drains with Seal System\*\* universal flange.

Adjustment range lower edge of the foot to the upper edge of the universal flange 64 to 165 mm.

Consisting of 4 assembly feet incl. sound-proofing element and mounting material.

Order No.	DU 1
369 00 07 NEW	1 set (4 pcs.)



## PVC adapter

Adapter for connection to PVC waste water pipes, DN 40.

Dimension	Order No.	DU 1	DU 2	DU 3
DN 40/DN 40	369 00 00	1 pc.	70 pcs.	1120 pcs.



## PVC adapter

Adapter for connection to PVC waste water pipes, DN 50 to DN 40.

Dimension	Order No.	DU 1	DU 2	DU 3
DN 50/DN 40	369 00 01	1 pc.	70 pcs.	1120 pcs.



## PVC adapter

Adapter for connection to PVC waste water pipes, DN 50 to DN 50.w

Dimension	Order No.	DU 1	DU 2	DU 3
DN 50/DN 50	369 00 02	1 pc.	70 pcs.	1120 pcs.



# TECE drainpoint S – spare parts



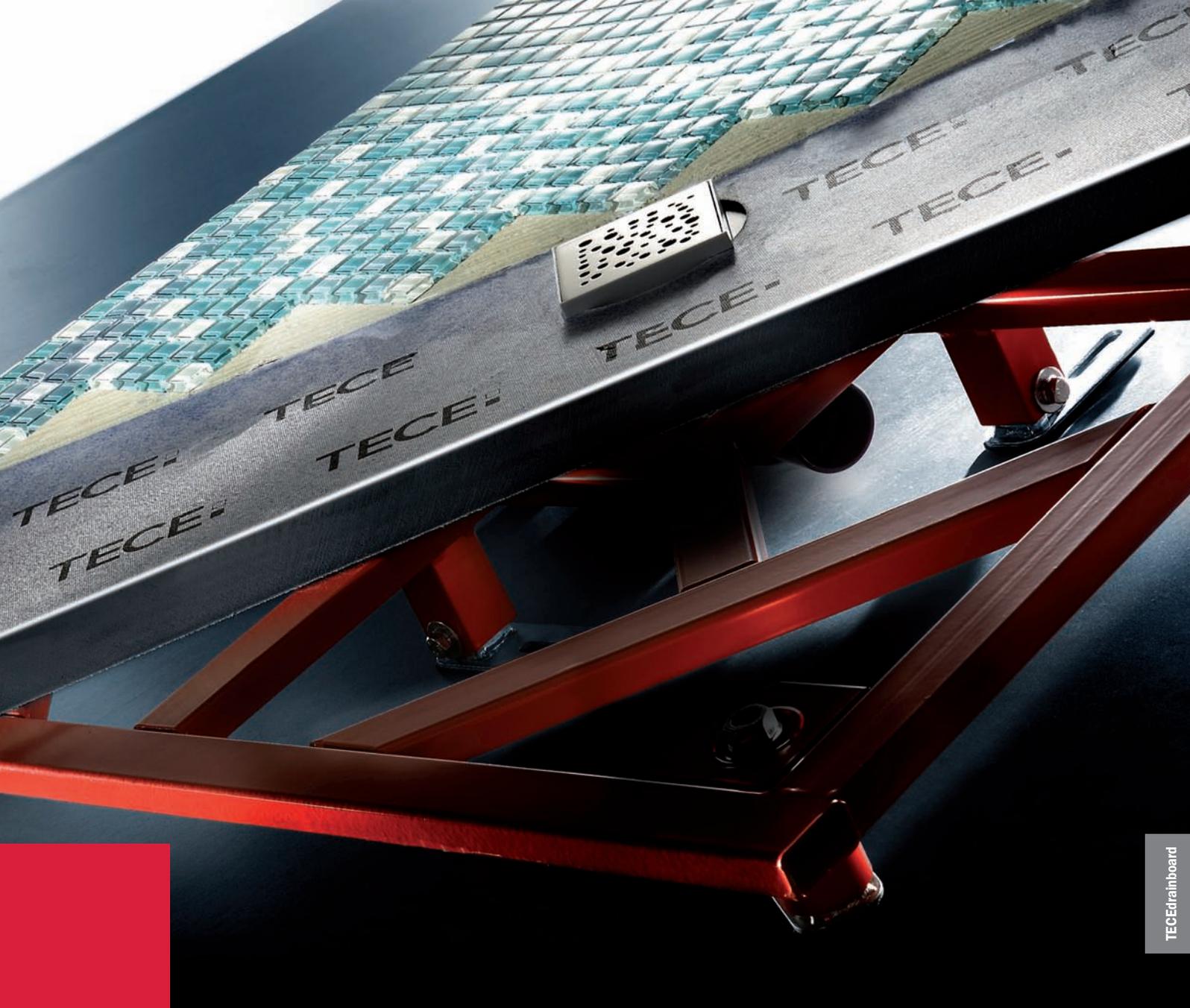
## Odour traps

Order No.	Description
369 50 00	Odour trap extra-flat made of PP for horizontal drains DN 50 extra flat
369 50 01	Odour trap standard made of PP for horizontal and vertical drains DN 50 standard, DN 70 and DN 100
369 50 04* NEW	Odour trap standard made of PP for horizontal and vertical drains DN 100 NEW



## O-ring seal

Order No.	Description
369 50 03 NEW	O-ring seal for drain top with 110 mm



**TECE**drainboard  
Assortment List

**TECE:**

Intelligente Haustechnik

## TECEdrainboard – EXTREMELY ROBUST AND LOADABLE – ON THE BUILDING SITE AS WELL AS IN THE FINISHED BATHROOM ...

By means of the TECEdrainboard, floor-level showers can be installed faster and more safely. The gradient as well as a sealing is already integrated in this robust drainage system. Thus, the installation remains in the hands of the SHK tradesman.

He hands over to a tiler a tileable absolutely water-tight solution.

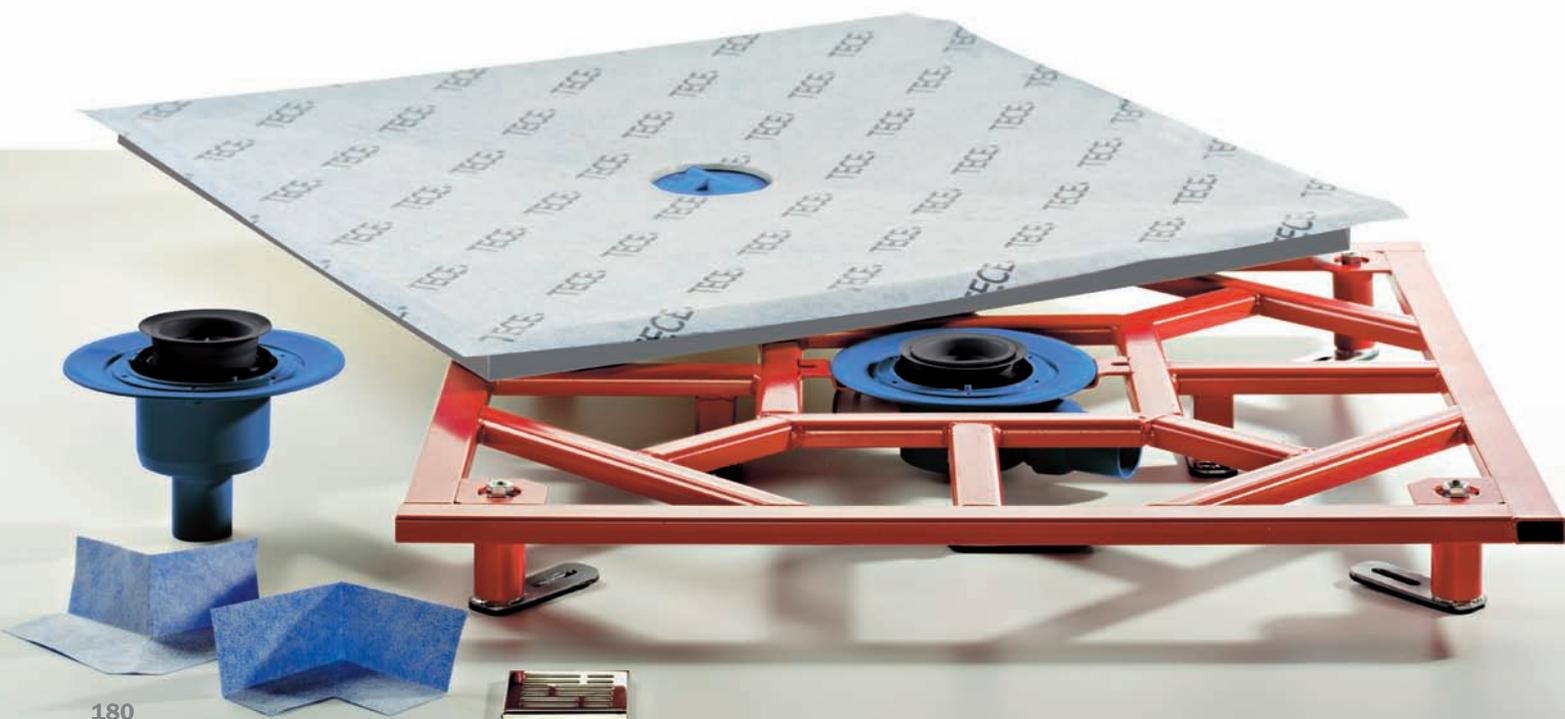
- Board with extremely high compression strength – for this reason mosaic tiles can be used for showers accessible for wheelchairs
- minimum installation height of 40 mm
- no setting time, ready for tiling immediately after installation
- simple sealing by absolutely water-tight special matting
- six dimensions between 900 and 1,500 mm edge length
- plastic drain with vertical or horizontal drain socket (drainage capacity 0.8 l/s)
- optional: Fire protection solution R 90 made of stainless steel with vertical drain
- the plate can be cut to size on the building site
- Drainbase sound insulation mat for optimum sound insulation (with expert report on sound insulation)
- Matching sub-frame, height-adjustable for adjusting to screed height

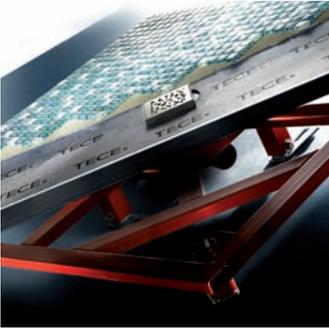


Board made of building-site-resistant solid polyurethane foam and wheelchair-accessible also with small mosaic tiles.



Suitable for TECEdrainboard: Four stainless steel design grates



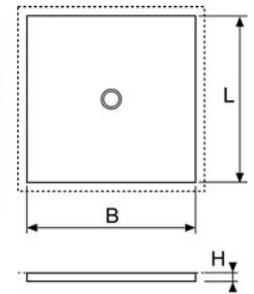
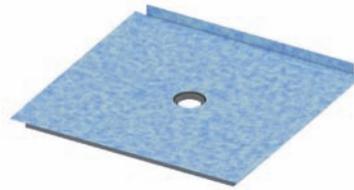


	Page
Assembly elements	182
Drains	183
Design grates	184
Accessories	185–186
Spare parts	187

# TECEdrainboard assembly elements

## TECEdrainboard shower element

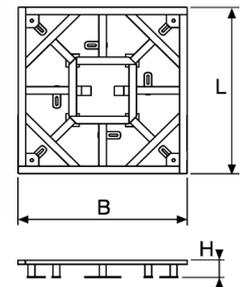
Shower element made of PUR plastic, with integrated water-tight sealing foil, with matting and overlap (4 cm), for safe sealing of the adapters in the floor and wall area, with factory gradient of 2 to 3 per cent to the central drain, directly tileable, wheelchair-accessible for all tile formats (also for mosaic), with self-sealing screw connection for the central drain.



Dimension (L x W x H):	Order No.	DU 1	DU 2	DU 3
300 x 300 x 30 mm	6 800 30	1 pc.	--	--
900 x 900 x 40 mm	6 800 90	1 pc.	--	--
1000 x 1000 x 40 mm	6 801 00	1 pc.	--	--
1200 x 1200 x 40 mm	6 801 20	1 pc.	--	--
1200 x 900 x 40 mm	6 801 29	1 pc.	--	--
1500 x 1500 x 40 mm	6 801 50	1 pc.	--	--

## TECEdrainboard sub-frame

Sub-frame made of powder-coated steel, with variable height adjustment of the sub-frame (H) from 90 mm minimum to 140 mm maximum, for flexible adaptation to the required floor level with fixing unit for central outlet. No filling by builder required.



Dimension (L x W)*	Order No.	DU 1	DU 2	DU 3
900 x 900 mm	6 810 90	1 pc.	--	--
1000 x 1000 mm	6 811 00	1 pc.	--	--
1200 x 1200 mm	6 811 20	1 pc.	--	--
1200 x 900 mm	6 811 29	1 pc.	--	--
1500 x 1500 mm	6 811 50	1 pc.	--	--

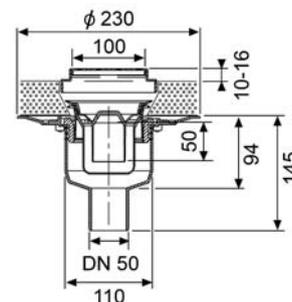
\* H = 90 – 140 mm

Note:

To reduce plumbing noises and impact sounds, the **Drainbase sound insulation mat** can also be used (Order No. 6 600 01 and 6 600 02).

## TECEdrainboard drain made of plastic, DN 50 vertical, including "basic" grate 100 x 100 mm

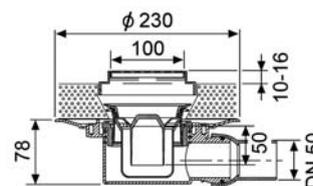
TECEdrainboard floor drain made of plastic, suitable for floor-level shower element, DN 50 drain socket, vertical (90° socket gradient), drainage capacity 0.8 l/s, for connection to HT pipe in keeping with German standard EN 1451, with sealing insert and compression valve, with removable odour trap, 50 mm sealing water height, with protective building time cover and screw aid. With grate frame made of plastic, continuously height adjustable and rotatable  $\varnothing$  100 mm, with drawn slot grate made of stainless steel.



Order No.	DU 1	DU 2	DU 3
6 850 00	1 pc.	--	--

## TECEdrainboard horizontal drain, DN 50 including "basic" grate 100 x 100 mm

TECEdrainboard floor drain made of plastic, suitable for floor-level shower element, DN 50 drain socket, horizontal (1.5° socket gradient), drainage capacity 0.8 l/s, for connection to HT pipe in keeping with German standard EN 1451, with sealing insert and compression valve, with removable odour trap, 50 mm sealing water height, with protective building time cover and screw aid. With grate frame made of plastic, continuously height adjustable and rotatable  $\varnothing$  100 mm, with drawn slot grate made of stainless steel.



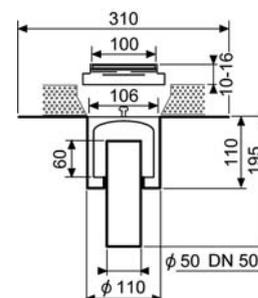
Order No.	DU 1	DU 2	DU 3
6 850 01	1 pc.	--	--

## TECEdrainboard-FireStop fire protection drain made of stainless steel, DN 50 including "basic" grate 100 x 100 mm

TECEdrainboard FireStop fire protection drain made of stainless steel, suitable for floor-level shower element, DN 50 drain socket, vertical (90° socket gradient), drainage capacity 0.8 l/s, for connection to HT pipe in keeping with German standard EN 1451, with sealing insert and compression valve, with removable fire protection odour trap VA-50E made of stainless steel (fire resistance class R 90, AbP: P-MPA-E-04-010), sealing water height 60 mm, with protective cover for the construction site and screw aid.

With grate frame made of plastic, continuously height adjustable and rotatable  $\varnothing$  100 mm, with drawn slot grate made of stainless steel.

Not in combination with sub-frames.



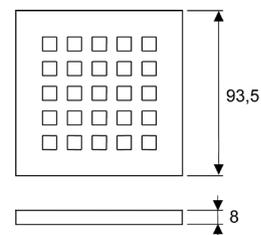
Order No.	DU 1	DU 2	DU 3
6 850 02	1 pc.	--	--

# TECEdrainboard design grates

## TECEdrainboard design grate "quadratum"\*\*\*

Made of massive polished stainless steel, 100 x 100 mm, Load Class L 15

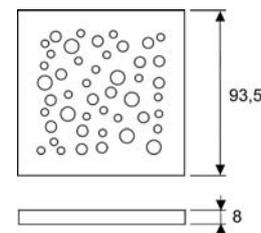
Order No.	DU 1
310 00 00	1 pc.



## TECEdrainboard design grate "drops"\*\*\*

Made of massive polished stainless steel, 100 x 100 mm, Load Class L 15

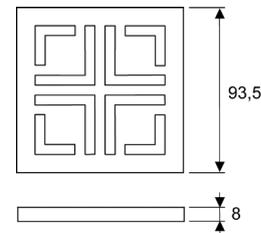
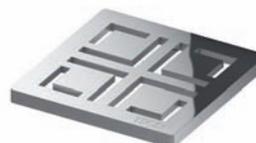
Order No.	DU 1
310 00 01	1 pc.



## TECEdrainboard design grate "royal II"\*\*\*

Made of massive polished stainless steel, 100 x 100 mm, Load Class L 15

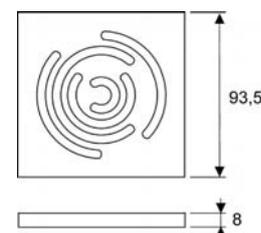
Order No.	DU 1
310 00 02	1 pc.



## TECEdrainboard design grate "rings"\*\*\*

Made of massive polished stainless steel, 100 x 100 mm, Load Class L 15

Order No.	DU 1
310 00 03	1 pc.



\*\*\*Design grates do not fit the TECEdrainpoint S drains!

## TECEDrainboard sealing tape

Water-impermeable sealing tape for floor-level  
TECEDrainboard shower element.  
Roll length 5 m, width 0.1 m



Order No.	DU 1
6 860 00	5 m/roll

## Sealing tape for TECEDrainboard and TECEDrainline

Water-tight sealing tape for the entire floor, the floor-level  
TECEDrainboard shower element or the TECEDrainline shower  
channel. Roll length 30 m, width 1 m



Order No.	DU 1
6 680 23	30 m/roll

## TECEDrainboard outer sealing corner

Water-impermeable outer sealing corner for floor-level  
TECEDrainboard shower element.



Order No.	DU 1
6 860 01	1 pc.

## TECEDrainboard inside sealing corner

Water-impermeable inside sealing corner for floor-level  
TECEDrainboard shower element.



Order No.	DU 1
6 860 02	1 pc.

# TECE drainboard accessories

## PVC adapter

Adapter for connection to PVC waste water pipes, DN 40.

Dimension	Order No.	DU 1	DU 2	DU 3
DN 40 / DN 40	369 00 00	1 pc.	70 pcs.	1120 pcs.



## PVC adapter

Adapter for connection to PVC waste water pipes, DN 50 to DN 40.

Dimension	Order No.	DU 1	DU 2	DU 3
DN 50 / DN 40	369 00 01	1 pc.	70 pcs.	1120 pcs.



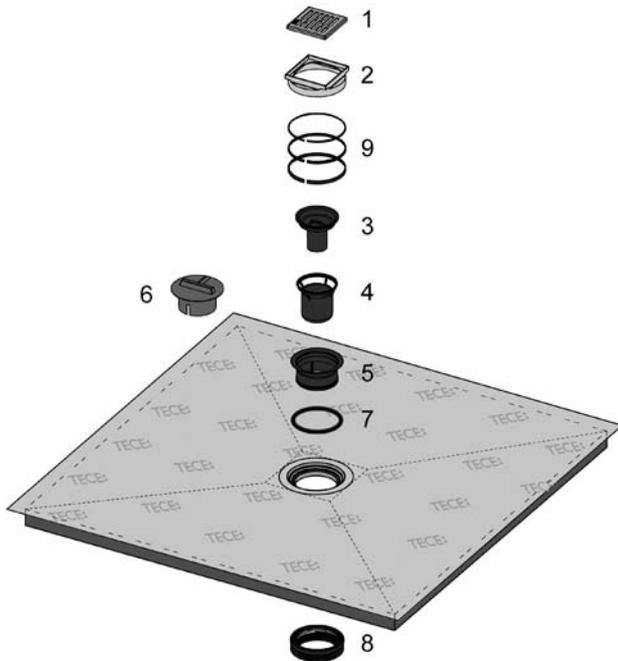
## PVC adapter

Adapter for connection to PVC waste water pipes, DN 50 to DN 50.

Dimension	Order No.	DU 1	DU 2	DU 3
DN 50 / DN 50	369 00 02	1 pc.	70 pcs.	1120 pcs.



## Shower element, drain



Item	Order No.	Description
1	310 00 13	"Basic" slot grate made of stainless steel
2	6 880 01	Grate frame made of plastic
3	6 880 02	Immersion pipe made of plastic
4	6 880 03	Beaker-shaped odour trap made of plastic
5	6 880 04	Upper compression valve
6	6 880 05	Screw aid and protective building time cover
7	6 880 06	Sealing ring
8	6 880 07	Lower compression valve
9	6 880 10	Equalising rings for height adjustment of the grate frame (2, 3, 4 mm)





**Exhibition sample  
Assortment List**

**TECE:**

Intelligente Haustechnik





	Page
TECE push plates	192–195
TECElux	196
TECEdrainline	197
Brochures	198

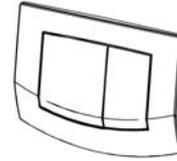
We can provide you with the prices of the exhibition samples on request.

# TECE exhibition sample – push plates

## TECEambia toilet exhibition push plate, dual flush technology

Dimensions: 214 x 152 x 22 mm

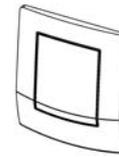
Description	Colour	Order No.
TECEambia	white/white antibacterial	9 240 900
TECEambia	Pergamon grey	9 240 905
TECEambia	Matte chrome	9 240 901
TECEambia	Bright chrome	9 240 902
TECEambia	Matte chrome frame, bright chrome buttons	9 240 903
TECEambia	Bright chrome frame, matte chrome buttons	9 240 904



## TECEambia urinal exhibition push plate

Dimensions: 100 x 120 x 15 mm

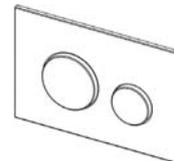
Description	Colour	Order No.
TECEambia	White	9 242 905
TECEambia	White, antibacterial	9 242 908
TECEambia	Pergamon grey	9 242 907



## TECEloop plastic toilet exhibition push plate

Dimensions: 216 x 145 x 6 mm

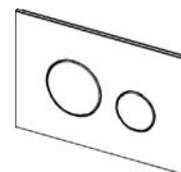
Description	Colour	Order No.
TECEloop	White	9 240 507
TECEloop	White, bright chrome push-buttons	9 240 523
TECEloop	Pergamon grey	9 240 508
TECEloop	Matte chrome	9 240 509
TECEloop	Bright chrome	9 240 510



## TECEloop glass toilet exhibition push plate

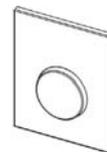
Dimensions: 220 x 150 x 11 (0)\*\* mm

Description	Colour	Order No.
TECEloop	White glass, white buttons	9 240 511
TECEloop	Glass white, matte chrome buttons	9 240 524
TECEloop	White glass, bright chrome buttons	9 240 525
TECEloop	Mint green glass, white buttons	9 240 512
TECEloop	Mint green glass, matte chrome buttons	9 240 513
TECEloop	Mint green glass, bright chrome buttons	9 240 514
TECEloop	Glass black, white buttons	9 240 515
TECEloop	Glass black, buttons matte chrome buttons	9 240 516
TECEloop	Black glass, bright chrome buttons	9 240 517
TECEloop	Black glass, black buttons	9 240 518
TECEloop	Black glass, gold buttons	9 240 519
TECEloop	Asis green glass (Emco), buttons matte chrome	9 240 527
TECEloop	Ruby red glass (Alape), buttons brushed stainless steel	9 240 528
TECEloop	Grass green glass (Burgbad), buttons white	9 240 529
TECEloop	Slate slab, buttons brushed stainless steel	9 240 540
TECEloop	Silvery grey glass (Alape), buttons matte chrome	9 240 541
TECEloop	Coffee brown glass, buttons bright chrome	9 240 542



## TECEloop plastic urinal exhibition push plate

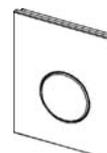
Dimensions: 100 x 120 x 6 mm



Description	Colour	Order No.
TECEloop	White	9 242 507
TECEloop	White, bright chrome push-buttons	9 242 523
TECEloop	Pergamon grey	9 242 508
TECEloop	Matte chrome	9 242 509
TECEloop	Bright chrome	9 242 510

## TECEloop glass urinal exhibition push plate

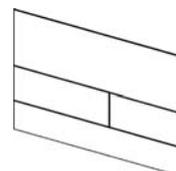
Dimensions: 104 x 124 x 11 (0)\*\* mm



Description	Colour	Order No.
TECEloop	Glass white, button white	9 242 511
TECEloop	Glass white, button matte chrome	9 242 524
TECEloop	Glass white, button bright chrome	9 242 525
TECEloop	Mint green glass, button white	9 242 512
TECEloop	Mint green glass, button matte chrome	9 242 513
TECEloop	Mint green glass, button bright chrome	9 242 514
TECEloop	Glass black, button white	9 242 515
TECEloop	Glass black, push-button matte chrome	9 242 516
TECEloop	Glass black, button bright chrome	9 242 517
TECEloop	Glass black, button black	9 242 518
TECEloop	Glass black, button gold	9 242 519

## TECEsquare metal toilet exhibition push plate

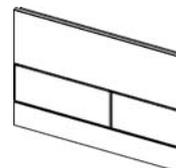
Dimensions: 240 x 170 x 2 mm



Description	Colour	Order No.
TECEsquare	Brushed stainless steel (with anti-fingerprint)	9 240 533
TECEsquare	Bright chrome	9 240 534
TECEsquare	White	9 240 535

## TECEsquare glass toilet exhibition push plate

Dimensions: 220 x 150 x 11 (0)\*\* mm



Description	Colour	Order No.
TECEsquare	White glass, white buttons	9 240 530
TECEsquare	White glass, buttons brushed stainless steel (with anti-fingerprint)	9 240 536
TECEsquare	White glass, bright chrome buttons	9 240 531
TECEsquare	Mint green glass, buttons brushed stainless steel (with anti-fingerprint)	9 240 539
TECEsquare	Glass black, buttons brushed stainless steel (with anti-fingerprint)	9 240 532
TECEsquare	Black glass, bright chrome buttons	9 240 538
TECEsquare	Black glass, black buttons	9 240 537

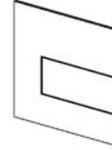
\*\* Installation height 0 mm when flush-mounted

# TECE exhibition sample – push plates

## TECEsquare metal urinal exhibition push plate

Dimensions: 124 x 144 x 2 mm

Description	Colour	Order No.
TECEsquare	Brushed stainless steel (with anti-fingerprint)	9 242 533
TECEsquare	Bright chrome	9 242 534
TECEsquare	White	9 242 535



## TECEsquare glass urinal exhibition push plate

Dimensions: 104 x 124 x 11 (0)\*\* mm

Description	Colour	Order No.
TECEsquare	White glass, white buttons	9 242 530
TECEsquare	White glass, bright chrome buttons	9 242 531
TECEsquare	Glass black, buttons brushed stainless steel (with anti-fingerprint)	9 242 532

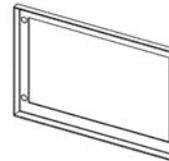


## Exhibition installation frame for flush-mounted installation, toilet

For the flush-mounted installation of the TECEloop and TECEsquare toilet push plates during exhibitions

Dimensions: 225 x 155 x 15 mm

Description	Colour	Order No.
installation frame	White	9 240 543
installation frame	Black	9 240 544
installation frame	Bright chrome	9 240 522



## Exhibition installation frame for flush-mounted installation, urinal

For the flush-mounted installation of the TECEloop and TECEsquare urinal flush panels during exhibitions

Dimensions: 129 x 109 x 15 mm

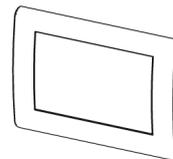
Description	Colour	Order No.
installation frame	Bright chrome	9 242 522



## TECEplanus toilet exhibition push plate, single flush technology

Dimensions: 214 x 144 x 15 mm

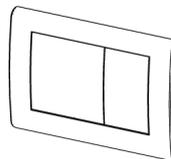
Description	Colour	Order No.
TECEplanus	White, silk-mat	9 240 504
TECEplanus	Bright white	9 240 520
TECEplanus	Brushed stainless steel	9 240 500
TECEplanus	Bright chrome	9 240 501



## TECEplanus toilet exhibition push plate, dual flush technology

Dimensions: 214 x 144 x 15 mm

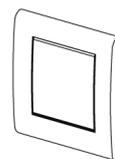
Description	Colour	Order No.
TECEplanus	White, silk-mat	9 240 505
TECEplanus	Bright white	9 240 521
TECEplanus	Brushed stainless steel	9 240 502
TECEplanus	Bright chrome	9 240 503



## TECEplanus urinal exhibition push plate, manual

Dimensions: 100 x 120 x 12 mm

Description	Colour	Order No.
TECEplanus	White, silk-mat	9 242 902
TECEplanus	Bright white	9 242 909
TECEplanus	Brushed stainless steel	9 242 900
TECEplanus	Bright chrome	9 242 901



## TECEplanus urinal exhibition push plate, electronic

Dimensions: 100 x 120 x 12 mm

Description	Colour	Order No.
TECEplanus	White, silk-mat	9 242 906
TECEplanus	Brushed stainless steel	9 242 903
TECEplanus	Bright chrome	9 242 904



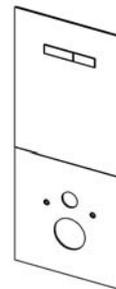
# TECE exhibition sample – TECElux

## TECElux glass facing exhibit with manual actuation

Upper glass facing with actuation unit for TECElux module with two actuation buttons in combination with lower glass facing.

Dimensions: 430 x 1000 x 16 mm

Description	Colour	Order No.
TECElux	White glass, white buttons	9 650 500
TECElux	White glass, bright chrome buttons	9 650 501
TECElux	Black glass, bright chrome buttons <b>NEW</b>	9 650 505

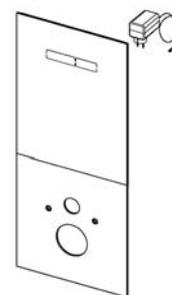


## TECElux glass facing exhibit with electrical "sen-Touch" actuation

Upper glass facing with actuation unit for TECElux module with electronic sen-Touch buttons in combination with lower glass facing, power pack included in the delivery.

Dimensions: 430 x 1000 x 16 mm

Description	Colour	Order No.
TECElux	White glass	9 650 502
TECElux	Black glass <b>NEW</b>	9 650 504



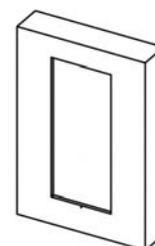
## TECElux function display

Exhibition wall incl. TECEprofil frame. For combination with a TECElux module, the upper glass facing and the lower mounting plate

Dimensions: 816 x 1203 x 203 mm

Description	Colour	Order No.
TECElux	red (tone RAL 3001) <b>NEW</b>	9 650 551
TECElux	black (tone RAL 7021) <b>NEW</b>	9 650 552

**NEW**



## TECElux info board

TECElux explanation board for exhibitions, for combination with TECElux function displays and TECElux exhibition modules.

Dimensions: 120 x 320 x 3 mm (9 650 553)  
120 x 230 x 3 mm (9 650 554)

**NEW**

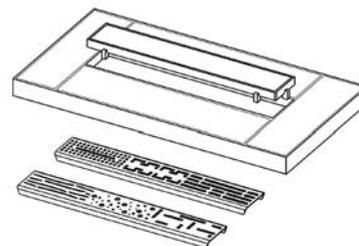


Description	Functional description	Order No.
TECElux	sen-Touch and ceramic-Air <b>NEW</b>	9 650 553
TECElux	manual actuation <b>NEW</b>	9 650 554

## TECEdrainline sample channel, tiled

Tiled TECEdrainline sample channel with tiled channel and two design grates (3 designs in each case)  
Length: 500 mm

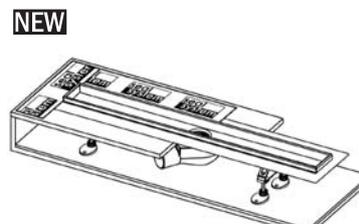
Description	Order No.
TECEdrainline sample channel, tiled	6 690 01



## TECEdrainline sample channel with Seal System, tiled

TECEdrainline sample channel with Seal System, drain standard and Drainbase

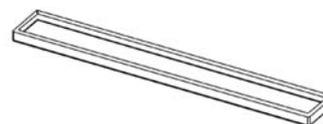
Description	Order No.
TECEdrainline sample channel with Seal System, tiled <b>NEW</b>	6 690 22



## TECEdrainline sample channel, base body

TECEdrainline sample channel, 10 mm high base body, for insertion of exhibition grates (6 690 03 and 6 690 04), exhibition glass covers (6 690 09 to 6 690 11) or as an exhibition tileable channel  
Length: 850 mm

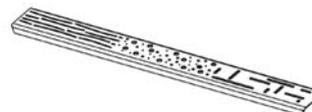
Description	Order No.
TECEdrainline sample channel, base body	6 690 02



## TECEdrainline exhibition grate, type A

TECEdrainline exhibition grate, type A, design "lines, drops, organic", for insertion in the sample channel base body (6 690 02)  
Length: 850 mm

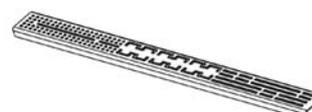
Description	Order No.
TECEdrainline exhibition grate, type A	6 690 03



## TECEdrainline exhibition grate, type B

TECEdrainline exhibition grate, type B, "basic, royal, quadratum" design for use in the specimen channel base body (6 690 02)  
Length: 850 mm

Description	Order No.
TECEdrainline exhibition grate, type B	6 690 04



## TECEdrainline exhibition glass

TECEdrainline exhibition glass, for insertion in the sample channel base body (6 690 02)  
Length: 850 mm

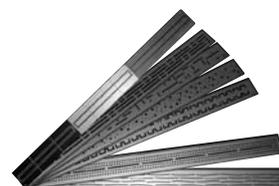
Description	Order No.
TECEdrainline exhibition glass, green	6 690 09
TECEdrainline exhibition glass, white	6 690 10
TECEdrainline exhibition glass, black	6 690 11



## TECEdrainline sample fan

Fan with printed TECEdrainline design on hard PVC foil,  
Length: 1000 mm

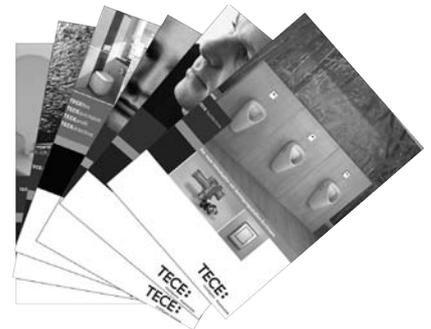
Description	Order No.
TECEdrainline sample fan	DS060 000 08



# TECE exhibition sample – brochures

## Important brochures and printed documents:

Title	Order No.
TECEflex – the universal installation system	DS010 001 47
TECElogo – the installation system for experts	DS080 000 28
TECEfloor – the floor heating program for professionals	DS025 000 21
TECEprofil – pre-wall installation with TECEprofil	DS030 003 41
TECE flushing technology – the complete range	DS030 002 13
TECE push plates – the complete range	DS030 002 12
TECE push plates – overview	DS030 003 10
TECElux toilet terminal – the toilet of the future	DS030 002 97
TECEdrainline – the complete range of shower channels	DS060 000 60
TECEdrainpoint S – the complete range of drains	DS060 000 76
TECEdrainboard – a robust base for floor-level showers	DS060 000 40
Seal System – Point. Line. Sealed!	DS060 001 002
Technical Guidelines – Pipe Systems	DS001 004 72
Technical Guidelines – Sanitary Systems	DS001 004 71
Range poster TECEflex	DS010 001 45
Range poster TECElogo	DS080 000 31
Range poster TECEprofil	DS030 002 54
Range poster TECElux	DS030 002 99



# Quick search for articles

Art. No.		Delivery unit 1	Delivery unit 2	Delivery unit 3	Page
310 00 00		1			184
310 00 01		1			184
310 00 02		1			184
310 00 03		1			184
310 00 13					187
360 10 50		1	10		162
360 11 00		1	10		162
360 11 02		1	10		163
360 12 00		1	10		163
360 12 02		1	10		164
360 13 00		1	10		164
360 14 00		1			165
360 14 01		1			165
360 15 00		1			166
360 16 00		1			166
360 35 00		1			167
360 36 00		1			167
360 75 00		1			168
360 76 00		1			168
366 00 01		1			170
366 00 02		1			170
366 00 03		1			171
366 00 04		1			171
366 00 05		1			172
366 00 06		1			172
366 00 07		1			173
366 00 08		1			173
366 00 09		1			171
366 00 10		1			172
366 00 11		1			169
366 00 16		1			169
366 50 00		1			173
366 50 01		1			174
366 50 02		1			174
366 50 03		1			174
366 50 06		1			174
366 50 09		1			175
369 00 00		1	70	1120	149,177,186
369 00 01		1	70	1120	149,177,186
369 00 02		1	70	1120	149,177,186
369 00 03		1			175
369 00 04		1			175
369 00 05		1			176
369 00 06		1			176
369 00 07		1			176
369 00 50		1			169
369 50 00					178
369 50 01					178

Art. No.		Delivery unit 1	Delivery unit 2	Delivery unit 3	Page
369 50 02		1			176
369 50 03					178
369 50 04					178
369 50 05		1			176
369 50 06		1			176
6 007 00		1	55		138
6 007 01		1	40		139
6 007 10		1			142
6 007 11		1			142
6 007 20		1			142
6 007 21		1			142
6 007 30		1			142
6 007 31		1			142
6 007 40		1			143
6 007 41		1			143
6 007 50		1			143
6 007 51		1			143
6 007 60		1			143
6 007 61		1			143
6 007 70		1			140
6 007 72		1			140
6 007 82		1			141
6 007 83		1			141
6 007 90		1			141
6 007 91		1			141
6 007 92		1			141
6 008 00		1	55		138
6 008 01		1	40		139
6 008 10		1			142
6 008 11		1			142
6 008 20		1			142
6 008 21		1			142
6 008 30		1			142
6 008 31		1			142
6 008 40		1			143
6 008 41		1			143
6 008 50		1			143
6 008 51		1			143
6 008 60		1			143
6 008 61		1			143
6 008 70		1			140
6 008 72		1			140
6 008 82		1			141
6 008 83		1			141
6 008 90		1			141
6 008 91		1			141
6 008 92		1			141
6 009 00		1	55		138

## Quick search for articles

Art. No.		Delivery unit 1	Delivery unit 2	Delivery unit 3	Page
6 009 01		1	40		139
6 009 10		1			142
6 009 11		1			142
6 009 20		1			142
6 009 21		1			142
6 009 30		1			142
6 009 31		1			142
6 009 40		1			143
6 009 41		1			143
6 009 50		1			143
6 009 51		1			143
6 009 60		1			143
6 009 61		1			143
6 009 70		1			140
6 009 72		1			140
6 009 82		1			141
6 009 83		1			141
6 009 90		1			141
6 009 91		1			141
6 009 92		1			141
6 010 00		1	55		138
6 010 01		1	40		139
6 010 10		1			142
6 010 11		1			142
6 010 20		1			142
6 010 21		1			142
6 010 30		1			142
6 010 31		1			142
6 010 40		1			143
6 010 41		1			143
6 010 50		1			143
6 010 51		1			143
6 010 60		1			143
6 010 61		1			143
6 010 70		1			140
6 010 72		1			140
6 010 82		1			141
6 010 83		1			141
6 010 90		1			141
6 010 91		1			141
6 010 92		1			141
6 012 00		1	55		138
6 012 01		1	40		139
6 012 10		1			142
6 012 11		1			142
6 012 20		1			142
6 012 21		1			142
6 012 30		1			142

Art. No.		Delivery unit 1	Delivery unit 2	Delivery unit 3	Page
6 012 31		1			142
6 012 40		1			143
6 012 41		1			143
6 012 50		1			143
6 012 51		1			143
6 012 60		1			143
6 012 61		1			143
6 012 70		1			140
6 012 72		1			140
6 012 82		1			141
6 012 83		1			141
6 012 90		1			141
6 012 91		1			141
6 012 92		1			141
6 015 00		1	55		138
6 015 01		1	40		139
6 015 10		1			142
6 015 11		1			142
6 015 20		1			142
6 015 21		1			142
6 015 30		1			142
6 015 31		1			142
6 015 40		1			143
6 015 41		1			143
6 015 50		1			143
6 015 51		1			143
6 015 60		1			143
6 015 61		1			143
6 015 70		1			140
6 015 72		1			140
6 015 82		1			141
6 015 83		1			141
6 015 90		1			141
6 015 91		1			141
6 015 92		1			141
6 109 00		1			144
6 109 10		1			145
6 109 70		1			145
6 109 82		1			145
6 110 00		1			144
6 110 10		1			145
6 110 70		1			145
6 110 82		1			145
6 112 00		1			144
6 112 10		1			145
6 112 70		1			145
6 112 82		1			145
6 500 00		1			147

# Quick search for articles

Art. No.		Delivery unit 1	Delivery unit 2	Delivery unit 3	Page
6 500 01		1			147
6 500 02		1			148
6 500 03		1			148
6 500 04		1			147
6 507 00		1	55		146
6 508 00		1	55		146
6 509 00		1	55		146
6 510 00		1	40		146
6 512 00		1	40		146
6 515 00		1	40		146
6 600 01		1	12		150
6 600 02		8			151
6 600 03		1	54		150
6 600 04		1	36		150
6 600 05		1			149
6 600 06		1			148
6 600 15		1			149
6 600 16		1			149
6 600 17		1			149
6 600 18		1			149
6 600 19		3.9	31.2		150
6 680 00					152
6 680 01					152
6 680 02					152
6 680 03					152
6 680 04					152
6 680 05					152
6 680 06					152
6 680 07					152
6 680 08					152
6 680 09					152
6 680 10					152
6 680 11					152
6 680 12					152
6 680 13					152
6 680 14					152
6 680 16					152
6 680 19					152
6 680 20					152
6 680 23		30			185
6 680 24					152
6 680 25					152
6 680 26					152
6 680 27					152
6 680 28					152
6 680 29					152
6 680 30					152
6 680 31					152

Art. No.		Delivery unit 1	Delivery unit 2	Delivery unit 3	Page
6 690 01					197
6 690 02					197
6 690 03					197
6 690 04					197
6 690 09					197
6 690 10					197
6 690 11					197
6 690 22					197
6 800 30		1			182
6 800 90		1			182
6 801 00		1			182
6 801 20		1			182
6 801 29		1			182
6 801 50		1			182
6 810 90		1			182
6 811 00		1			182
6 811 20		1			182
6 811 29		1			182
6 811 50		1			182
6 850 00		1			183
6 850 01		1			183
6 850 02		1			183
6 860 00		5			185
6 860 01		1			185
6 860 02		1			185
6 880 01					187
6 880 02					187
6 880 03					187
6 880 04					187
6 880 05					187
6 880 06					187
6 880 07					187
6 880 10					187
9 000 000		18	630	1890	10
9 010 002		30	240	1440	10
9 010 003		10	30		34
9 010 009		5	50		35
9 018 002		6	30		34
9 018 007		100	500		35
9 018 011		2	10		34
9 020 004		1	4		30
9 020 019		1	2		29
9 020 020		1	4		30
9 020 033		1	10		23
9 020 034		1	10		23
9 020 036		1	2		30
9 020 038		1			26
9 020 039		1			26

## Quick search for articles

Art. No.	Delivery unit 1	Delivery unit 2	Delivery unit 3	Page
9 020 040	1	10		29
9 020 041	1	10		29
9 020 045	1	4		30
9 020 046	1	4		30
9 020 048	1	10		24
9 020 049	1	10		23
9 020 050	1	10		23
9 020 051	1	4		30
9 020 052	1	4		30
9 021 017	1	20		30
9 021 019	50	100	400	10
9 021 021	1	20		30
9 021 022	1	20		30
9 030 002	10	60	240	10
9 030 011	5	15	60	10
9 030 013	2	10		10
9 030 017	1			36
9 030 024	1			58
9 030 026	1			71
9 030 028	1			36
9 030 029	1			63,72,91,96
9 040 001	10	30		35
9 040 004	10	30		35
9 041 006	1	10	60	20
9 041 008	1	10	60	59
9 041 029	1			36
9 042 003	1			31
9 042 005	1	2		31
9 042 010	1	10		15
9 042 011	1	10		15
9 042 012	1	10		15
9 042 013	1	10		15
9 042 016	1	10		15
9 042 017	1	10		15
9 080 001	1	30		38
9 140 000	4	20		36
9 150 000	1			29
9 200 000	30	60	120	39
9 200 001	5	20		39
9 200 002	250	4500	9000	40
9 200 010	1	10	60	38,75
9 200 012	1	10	60	61
9 200 013	1	30	60	39
9 200 014	1	25		39
9 200 017	1	10		40
9 221 011	1			75
9 221 013	1			42,62
9 240 100	1	10		87

Art. No.	Delivery unit 1	Delivery unit 2	Delivery unit 3	Page
9 240 101	1	10		87
9 240 125	1	10		87
9 240 126	1	10		87
9 240 140	1	10		87
9 240 200	1	10		87
9 240 201	1	10		87
9 240 225	1	10		87
9 240 226	1	10		87
9 240 240	1	10		87
9 240 253	1	10		87
9 240 254	1	10		87
9 240 310	1	10		99
9 240 311	1	10		99
9 240 312	1	10		99
9 240 314	1	10		99
9 240 320	1	10		99
9 240 321	1	10		99
9 240 322	1	10		99
9 240 324	1	10		99
9 240 350	1			101
9 240 351	1			101
9 240 352	1			101
9 240 353	1			101
9 240 354	1			102
9 240 355	1			102
9 240 356	1			103
9 240 357	1			103
9 240 360	1			105
9 240 361	1			101
9 240 362	1			101
9 240 500				194
9 240 501				194
9 240 502				195
9 240 503				195
9 240 504				194
9 240 505				195
9 240 507				192
9 240 508				192
9 240 509				192
9 240 510				192
9 240 511				192
9 240 512				192
9 240 513				192
9 240 514				192
9 240 515				192
9 240 516				192
9 240 517				192
9 240 518				192

## Quick search for articles

Art. No.		Delivery unit 1	Delivery unit 2	Delivery unit 3	Page
9 240 519					192
9 240 520					194
9 240 521					195
9 240 522					194
9 240 523					192
9 240 524					192
9 240 525					192
9 240 527					192
9 240 528					192
9 240 529					192
9 240 530					193
9 240 531					193
9 240 532					193
9 240 533					193
9 240 534					193
9 240 535					193
9 240 536					193
9 240 537					193
9 240 538					193
9 240 539					193
9 240 540					192
9 240 541					192
9 240 542					192
9 240 543					194
9 240 544					194
9 240 600		1	10		89
9 240 601		1	10		89
9 240 625		1	10		89
9 240 626		1	10		89
9 240 627		1	10		89
9 240 640		1	10		89
9 240 646		1	20		91,95
9 240 647		1	20		91,95
9 240 648		1	20		91,95
9 240 649		1	20		91,95
9 240 650		1	10		89
9 240 651		1	10		89
9 240 652		1	10		89
9 240 653		1	10		89
9 240 654		1	10		89
9 240 655		1	10		89
9 240 656		1	10		89
9 240 657		1	10		89
9 240 658		1	10		89
9 240 659		1	10		89
9 240 660		1	10		89
9 240 663		1	10		90
9 240 664		1	10		90

Art. No.		Delivery unit 1	Delivery unit 2	Delivery unit 3	Page
9 240 665		1	10		90
9 240 666		1	10		90
9 240 667		1	10		90
9 240 668		1	10		90
9 240 669		1	10		90
9 240 670		1	10		90
9 240 671		1	10		90
9 240 672		1	10		90
9 240 673		1	10		90
9 240 674		1	10		90
9 240 675		1	10		90
9 240 676		1	10		90
9 240 677		1	10		90
9 240 678		1	10		90
9 240 679		1	10		90
9 240 680		1	10		90
9 240 683		1	10		90
9 240 684		1	10		90
9 240 685		1	10		90
9 240 700		1	10		85
9 240 701		1	10		85
9 240 702		1	10		85
9 240 800		1	10		96
9 240 801		1	10		96
9 240 802		1	10		96
9 240 803		1	10		96
9 240 804		1	10		96
9 240 805		1	10		96
9 240 806		1	10		96
9 240 807		1	10		96
9 240 808		1	10		96
9 240 809		1	10		96
9 240 810		1	10		95
9 240 811		1	10		95
9 240 812		1	10		95
9 240 900					192
9 240 901					192
9 240 902					192
9 240 903					192
9 240 904					192
9 240 905					192
9 240 950		1			105
9 242 100		1	15		87
9 242 101		1	15		87
9 242 126		1	15		87
9 242 140		1	15		87
9 242 310		1	15		99
9 242 311		1	15		99

## Quick search for articles

Art. No.		Delivery unit 1	Delivery unit 2	Delivery unit 3	Page
9 242 312		1	15		99
9 242 314		1	15		99
9 242 350		1	10		104
9 242 351		1	10		104
9 242 352		1	10		104
9 242 353		1	10		104
9 242 354		1	10		104
9 242 355		1	10		104
9 242 356		1	10		104
9 242 357		1	10		104
9 242 507					193
9 242 508					193
9 242 509					193
9 242 510					193
9 242 511					193
9 242 512					193
9 242 513					193
9 242 514					193
9 242 515					193
9 242 516					193
9 242 517					193
9 242 518					193
9 242 519					193
9 242 522					194
9 242 523					193
9 242 524					193
9 242 525					193
9 242 530					194
9 242 531					194
9 242 532					194
9 242 533					194
9 242 534					194
9 242 535					194
9 242 600		1	15		92
9 242 601		1	15		92
9 242 625		1	15		92
9 242 626		1	15		92
9 242 627		1	15		92
9 242 640		1	15		92
9 242 646		1	40		93,97
9 242 647		1	40		93,97
9 242 648		1	40		93,97
9 242 649		1	40		93,97
9 242 650		1	15		92
9 242 651		1	15		92
9 242 652		1	15		92
9 242 653		1	15		92
9 242 654		1	15		92

Art. No.		Delivery unit 1	Delivery unit 2	Delivery unit 3	Page
9 242 655		1	15		92
9 242 656		1	15		92
9 242 657		1	15		92
9 242 658		1	15		92
9 242 659		1	15		92
9 242 660		1	15		92
9 242 661		1	15		92
9 242 662		1	15		92
9 242 663		1	15		92
9 242 800		1	15		97
9 242 801		1	15		97
9 242 802		1	15		97
9 242 803		1	15		97
9 242 804		1	15		97
9 242 805		1	15		97
9 242 806		1	15		97
9 242 807		1	15		97
9 242 808		1	15		97
9 242 809		1	15		97
9 242 810		1	10		96
9 242 811		1	10		96
9 242 812		1	10		96
9 242 900					195
9 242 901					195
9 242 902					195
9 242 903					195
9 242 904					195
9 242 905					192
9 242 906					195
9 242 907					192
9 242 908					192
9 242 909					195
9 300 000		1	10	60	11
9 300 001		1	10	60	13
9 300 003		1	10	60	16
9 300 009		1	10	60	14
9 300 022		1	10	60	12
9 300 040		1	10		72
9 300 044		1	10	60	18
9 300 066		1	10	60	17
9 300 075		1	10	60	18
9 310 000		1	10	60	21
9 310 002		1	10	60	22
9 310 004		1	10	60	22
9 310 011		1	10	60	21
9 320 008		1	10	60	25
9 320 010		1	10	60	25
9 330 000		1	10	60	27

## Quick search for articles

Art. No.		Delivery unit 1	Delivery unit 2	Delivery unit 3	Page
9 330 005		1	10	60	27
9 340 000		1	10	60	28
9 360 000		1	10		31
9 370 000		1	10	60	58
9 370 007		1	10		70
9 370 008		1	10		70
9 370 009		1	10		71
9 370 021		1			63
9 370 031		1	10		73
9 370 032		1	10		74
9 370 033		1	10		74
9 371 000		1	10	60	61
9 375 000		1	10	60	60
9 380 000		1	10	60	31,44,45
9 380 001		1	5		32
9 380 002		1			32
9 380 003		1	5		33
9 380 004		1			33
9 380 005		1	5		34
9 380 006		1	5		34
9 380 007		10	40		32
9 380 013		1			33
9 380 300		1	20		32
9 380 301		1	20		32
9 510 003		1	10	60	24
9 600 100		1	6	12	120
9 600 200		1	6	12	121
9 600 400		1	6	12	122
9 650 002		1	20		123
9 650 003		1	20		123
9 650 100		1	20		124
9 650 101		1	20		124
9 650 102		1			125
9 650 103		1	20		124
9 650 104		1	20		125
9 650 105		1	20		124
9 650 106		1	20		124
9 650 107		1	20		124
9 650 108		1	20		125
9 650 500					196
9 650 501					196
9 650 502					196
9 650 504					196
9 650 505					196
9 650 551					196
9 650 552					196
9 650 553					196
9 650 554					196

Art. No.		Delivery unit 1	Delivery unit 2	Delivery unit 3	Page
9 660 000		1			126
9 660 001		1			126
9 660 002		1			126
9 810 003		1			105
9 810 004		1			105
9 820 000		1			43
9 820 003					66
9 820 004					66
9 820 005					66
9 820 006					66,77,78
9 820 007					66,78
9 820 008					66,78
9 820 009					66,77,78
9 820 010					66,77,78
9 820 011					44 ff.,64,65,128
9 820 012					65,78
9 820 013					65,78
9 820 014					65,78
9 820 015					44 ff.,64 ff.,76,78,128 ff.
9 820 016					65
9 820 017					65
9 820 018					65
9 820 019					65
9 820 020					106,109
9 820 021					106
9 820 022					65,106
9 820 024					106,109
9 820 025					65
9 820 026					65
9 820 027					65
9 820 029					66
9 820 030					106
9 820 031					109,11
9 820 034					47 ff.
9 820 035					48 ff.
9 820 037					47
9 820 040					44 ff.,128,129
9 820 041					44 ff.
9 820 042					44 ff.
9 820 043					44 ff.,64,128,129
9 820 047					50,51
9 820 048					64
9 820 049					64,76
9 820 050					64
9 820 051					64
9 820 054					52
9 820 055		1			38,49,50
9 820 057					44 ff.,64,76,128,129

## Quick search for articles

Art. No.	Delivery unit 1	Delivery unit 2	Delivery unit 3	Page
9 820 059				48 ff.
9 820 063				47
9 820 065				47
9 820 066				47
9 820 067				48
9 820 070				48
9 820 071				44 ff.,50,51,128,129
9 820 072				44 ff.,128,129
9 820 073				64
9 820 074				49,5
9 820 075				49,5
9 820 076				49,5
9 820 078				46
9 820 079				49
9 820 080				107,111
9 820 081				109
9 820 082				109
9 820 083				109
9 820 084				109
9 820 085				111
9 820 086				111
9 820 087				111
9 820 088				111
9 820 089				111
9 820 090				111
9 820 091				109,111
9 820 092				107
9 820 092				108,111
9 820 093				111
9 820 094				107,108,111
9 820 095				109
9 820 096				51
9 820 097				109,111
9 820 098				111
9 820 099				44,65
9 820 100				65
9 820 101				65
9 820 102				50
9 820 103				65
9 820 105				50
9 820 125				52
9 820 126				46
9 820 127				46
9 820 128				52
9 820 129				109
9 820 130				109
9 820 132				66
9 820 133				49

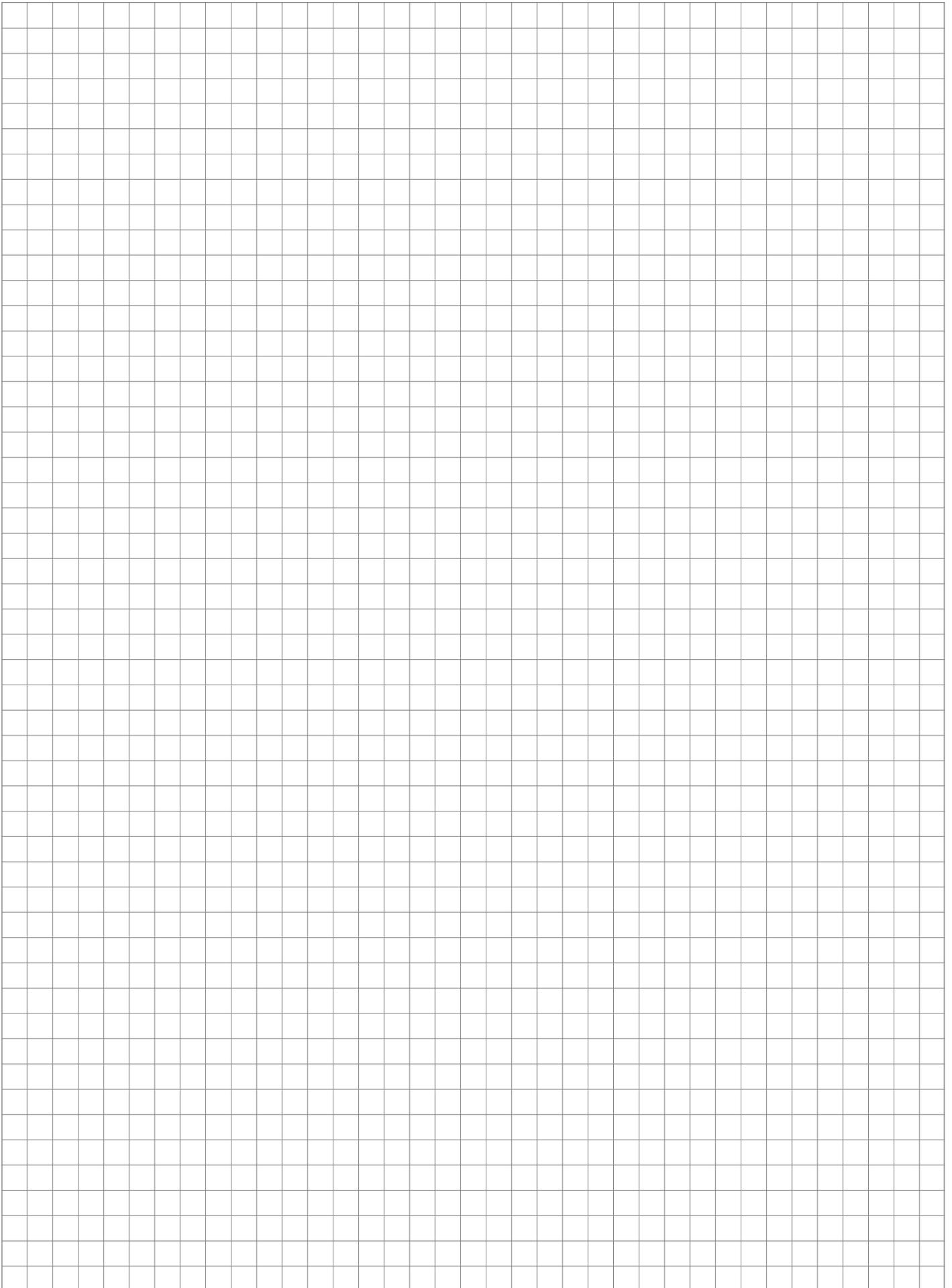
Art. No.	Delivery unit 1	Delivery unit 2	Delivery unit 3	Page
9 820 134	1	10		37,44 ff.,52,128
9 820 135	1	10		37,52,64
9 820 136	1	10		37,44 ff.,64,128,129
9 820 137	1	10		37
9 820 139				44 ff.,64,76,128,129
9 820 140				107,108
9 820 143				76
9 820 144				76
9 820 145				76
9 820 146				76
9 820 148				77
9 820 149				77
9 820 150				76
9 820 151				77
9 820 152				77
9 820 153				77
9 820 161				77,78
9 820 163				77,78
9 820 169				110
9 820 170				110
9 820 171				110
9 820 172				110
9 820 173				110
9 820 174				110
9 820 175				110
9 820 176				110
9 820 177				110
9 820 178				110
9 820 179				110
9 820 180				107,110
9 820 181				107,110
9 820 182				109
9 820 183				109
9 820 184				109
9 820 185				109
9 820 186				109
9 820 187				109
9 820 188				78
9 820 189				77
9 820 189				78
9 820 191				77,78
9 820 192				76,78
9 820 193				77
9 820 194				77,78
9 820 195				107,108
9 820 196				107
9 820 197				110
9 820 198				107

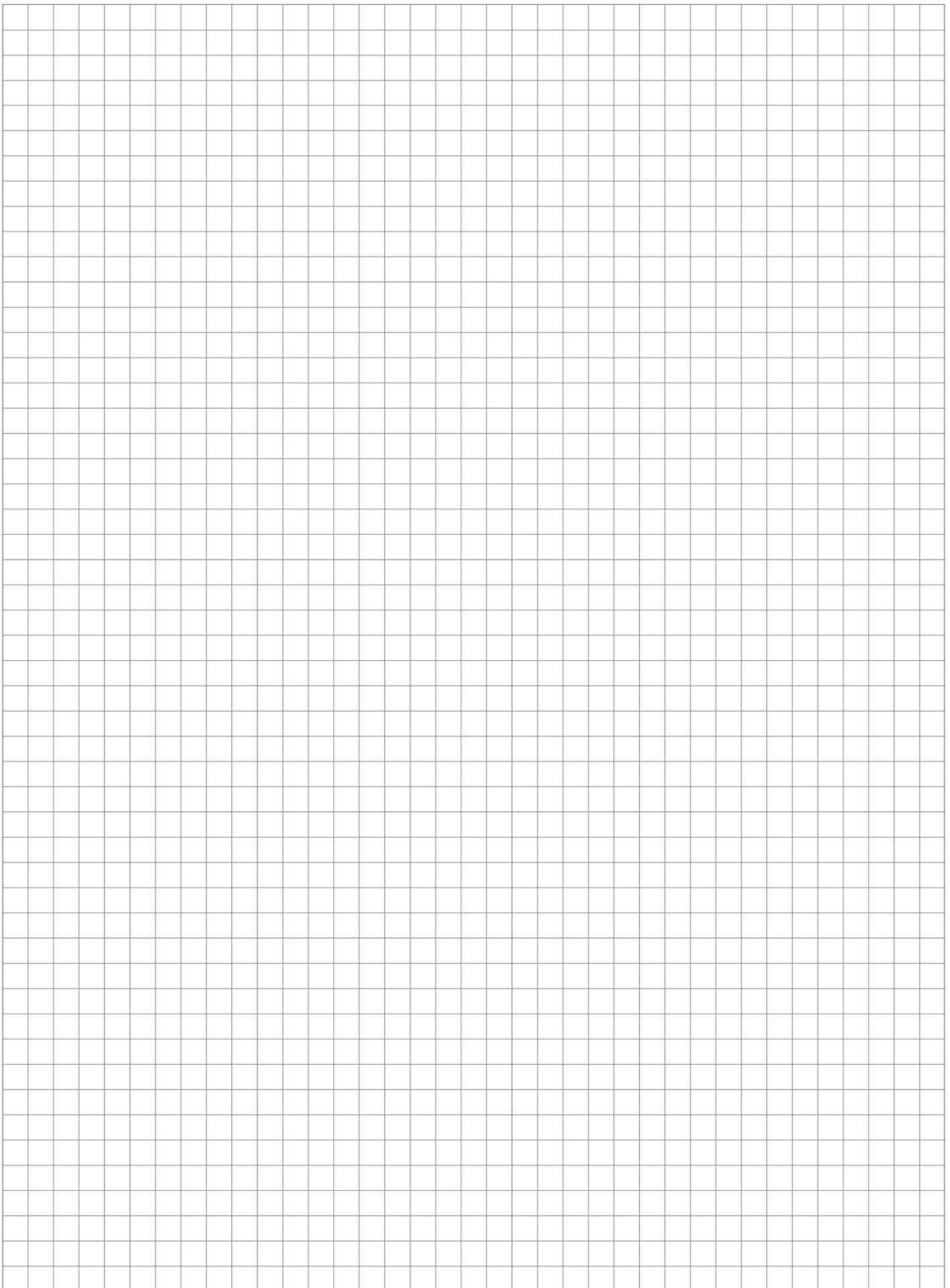
## Quick search for articles

Art. No.		Delivery unit 1	Delivery unit 2	Delivery unit 3	Page
9 820 199					107
9 820 200					107
9 820 201					107
9 820 202					108
9 820 203					108
9 820 204					108
9 820 205					108
9 820 206					108
9 820 211					111
9 820 213					53
9 820 214					53
9 820 215					77
9 820 216					77
9 820 217					77,78
9 820 218					77
9 820 219					77
9 820 220					77
9 820 221					77,78
9 820 222					66,77
9 820 223					66
9 820 224					77,78
9 820 229					66
9 820 230					66
9 820 231					66
9 820 233					66
9 820 241					106
9 820 245					53
9 820 246					53
9 820 249					107
9 820 250					78
9 820 251					76,78
9 820 253					107
9 820 254					76
9 820 255					76
9 820 256					76
9 820 259					47
9 820 263					106,107
9 820 264		1			42
9 820 275					78
9 820 284					129
9 820 285					129
9 820 286					129
9 820 287					129
9 820 288					129
9 820 289					129
9 820 290					129
9 820 291					129
9 820 294		1			127

Art. No.		Delivery unit 1	Delivery unit 2	Delivery unit 3	Page
9 820 300					129
9 820 301					129
9 820 302					129
9 820 311					129
9 820 315		1	10		37
9 820 316		1	10		37
9 820 317		1			37,53,128,129
9 820 326					106
9 820 327					106
9 820 328					107
9 820 329					128,129
9 820 330					128,129
9 820 332					44 ff.,128,129
9 820 333					44 ff.,128,129
9 820 335					44 ff.,128,129
9 820 503		1	10		37
9 850 016		1			41
9 880 034		1			19
9 880 036		1			19
9 880 037		1			19
9 980 067		1	10		37

# Notes



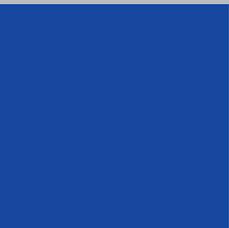




**Notes:**

- Goods are supplied to the specialist wholesale trade only in the quantities specified.
- Subject to technical modifications.
- This documentation is based on our current state of knowledge; the „state of the art“ applies as a matter of course.
- Local standards and guidelines are to be taken into consideration in the choice of materials.

Valid until the appearance of the next issue. Subject to alterations and errors excepted.



For more information on our products,  
please visit us at [www.tece.com](http://www.tece.com).

**TECE GmbH**  
Hollefeldstr. 57  
48282 Emsdetten  
Germany  
[international-business@tece.de](mailto:international-business@tece.de)  
[www.tece.com](http://www.tece.com)

**TECE:**   
**Intelligente Haustechnik**